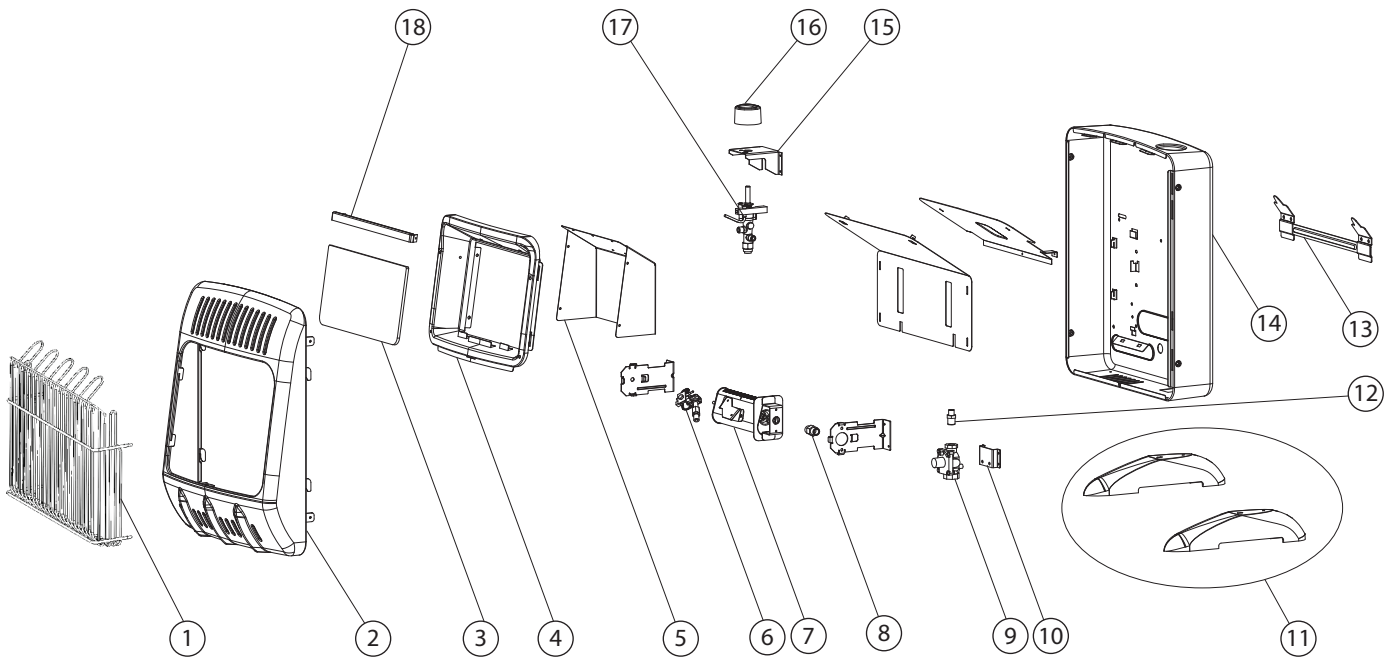


PARTS LIST AND DIAGRAM

MODEL: HSVFBF10NG

ITEM	P/N	PART DESCRIPTION	QTY	ITEM	P/N	PART DESCRIPTION	QTY
1	80121	Wire Guard	1	11	80058	Floor Mounting Feet (Beige)	1
2	80051	Front Panel (Beige)	1		80214	Floor Mounting Feet (White)	1
	80201	Front Panel (White)	1	12	NA	Regulator Connection	1
3	80038	Glass	1	13	80052	Back Panel (Beige)	1
4	80024	Reflector	1		80177	Back Panel (White)	1
5	80026	Reflector Back Panel	1	14	80036	Wall Mounting Bracket	1
6	80057	ODS Pilot Assembly w/ Thermocouple (NG)	1	15	80005	Valve Bracket	1
7	80017	Burner Assembly	1	16	80006	Knob	1
8	80009-01	Orifice	1	17	80080-NG	Valve	1
9	80084	Regulator	1	18	80034	Glass Bracket	1
10	80055	Regulator Mounting Bracket	1	**	70342	Hardware Kit (not shown)	1

WARNING: Failure to position the parts in accordance with these diagrams or failure to use only parts specifically approved with this heater may result in property damage or personal injury.



PARTS LIST AND DIAGRAM

MODEL: HSVFRD10NG							
ITEM	P/N	PART DESCRIPTION	QTY	ITEM	P/N	PART DESCRIPTION	QTY
1	80040	Wire Guard	1	9	NA	Regulator Connection	1
2	80051	Front Panel (Beige)	1	10	80036	Wall Mounting Bracket	1
	80201	Front Panel (White)	1	11	80052	Back Panel (Beige)	1
3	80022	Reflector	1		80177	Back Panel (White)	1
4	80115	Burner Assembly	1	12	80005	Valve Bracket	1
5	80057	ODS Pilot Assembly w/ Thermocouple (NG)	1	13	80006	Knob	1
6	80084	Regulator	1	14	80080-NG	Valve	1
7	80055	Regulator Mounting Bracket	1	**	70342	Hardware Kit (not shown)	1
8	80058	Floor Mounting Feet (Beige)	1	**	80009-02	Orifice (not shown)	1
	80214	Floor Mounting Feet (White)	1				

WARNING: Failure to position the parts in accordance with these diagrams or failure to use only parts specifically approved with this heater may result in property damage or personal injury.

