

# PARTS LIST AND DIAGRAM

## MODEL: HSSVFRD20NGBT

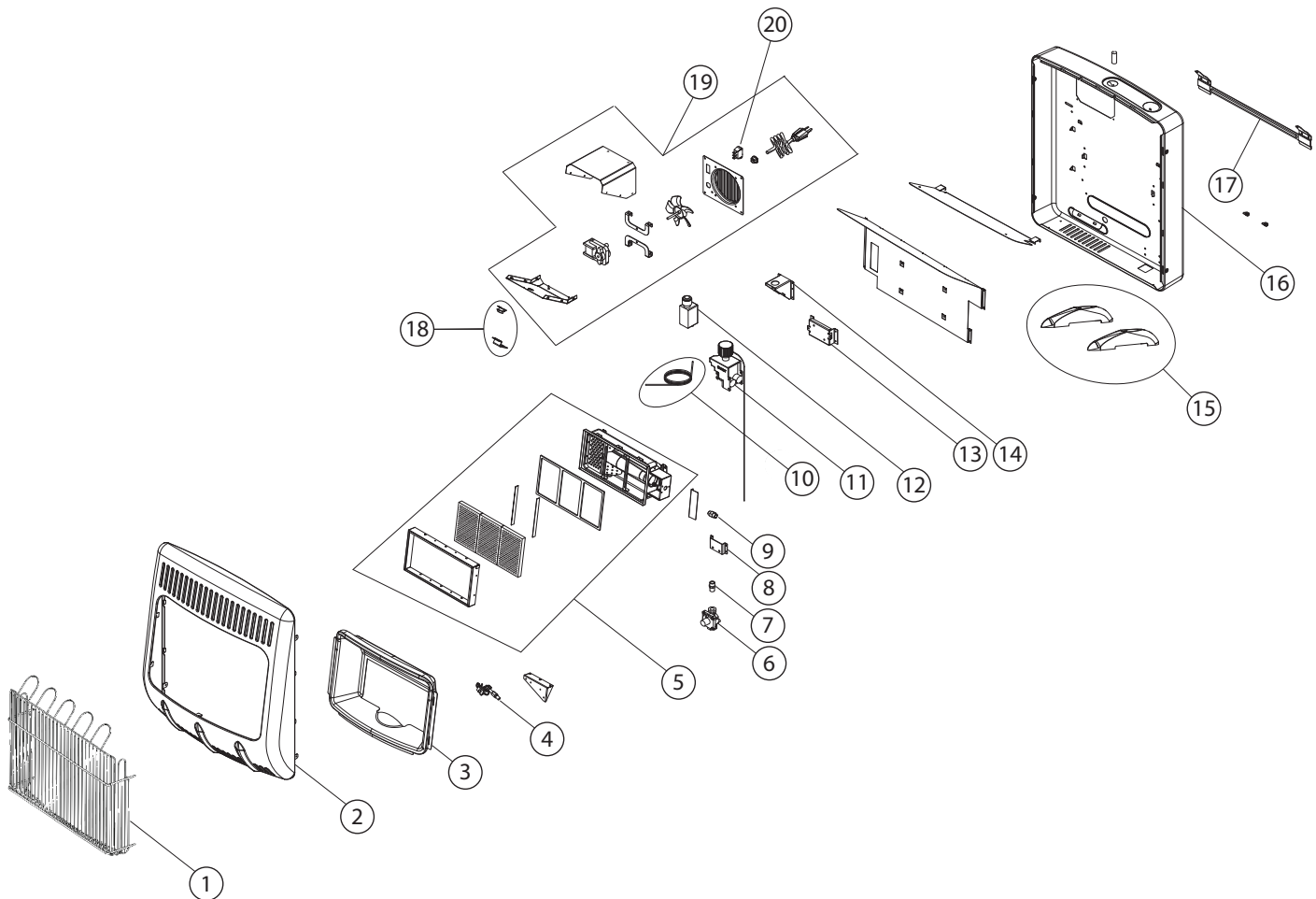
ITEM	P/N	PART DESCRIPTION	QTY
1	80094	Wire Guard	1
2	80096	Front Panel (Beige)	1
	80205	Front Panel (White)	1
3	80086	Reflector	1
4	80057	ODS Assembly w/ Thermocouple (NG)	1
5	80108	Burner Assembly	1
6	80107	Regulator	1
7	NA	Regulator Connection	1
8	80055	Regulator Mounting Bracket	1
9	80009-06	Orifice	1
10	80014	Igniter Wire	1
11	70640	Thermostat Valve	1
12	80019	Igniter Module	1

ITEM	P/N	PART DESCRIPTION	QTY
13	80010	Thermostat Valve Mounting Bracket	1
14	80011	Igniter Module Mounting Bracket	1
15	80058	Floor Mounting Feet (Beige)	1
	80214	Floor Mounting Feet (White)	1
16	80097	Back Panel (Beige)	1
	80179	Back Panel (White)	1
17	80037	Wall Mounting Bracket	1
18	80013	High Limit Switch (Fan)*	1
19	F299201	Fan Assembly*	1
20	80049	Fan Switch*	1
**	70342	Hardware Kit (not shown)	1

**\*If Equipped**



**WARNING:** Failure to position the parts in accordance with these diagrams or failure to use only parts specifically approved with this heater may result in property damage or personal injury.



# PARTS LIST AND DIAGRAM

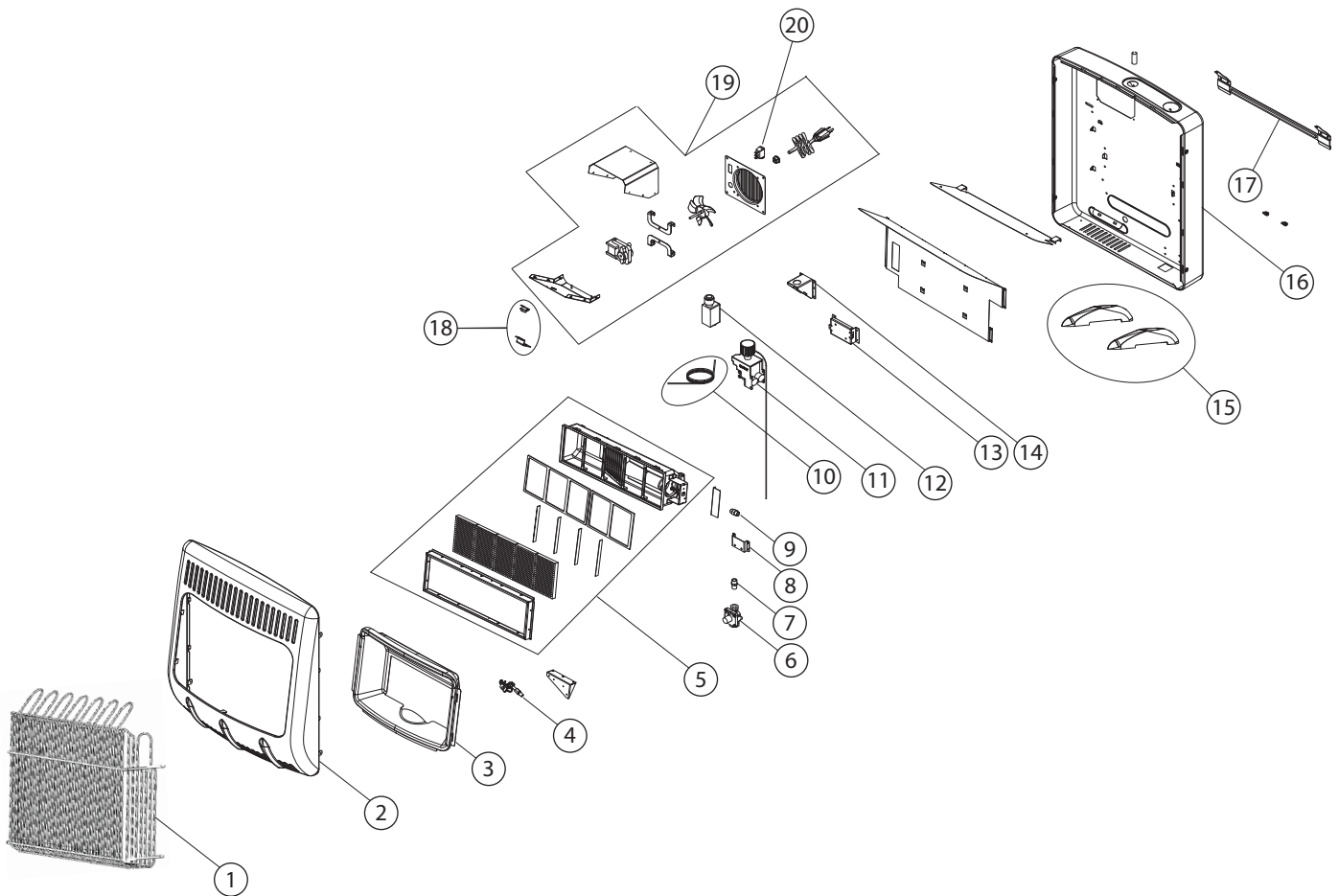
MODEL: HSSVFRD30NGBT

ITEM	P/N	PART DESCRIPTION	QTY	ITEM	P/N	PART DESCRIPTION	QTY
1	80041	Wire Guard	1	13	80010	Thermostat Valve Mounting Bracket	1
2	80065	Front Panel (Beige)	1	14	80011	Igniter Module Mounting Bracket	1
	80208	Front Panel (White)	1	15	80058	Floor Mounting Feet (Beige)	1
3	80023	Reflector	1		80214	Floor Mounting Feet (White)	1
4	80057	ODS Assembly w/ Thermocouple (NG)	1	16	80066	Back Panel (Beige)	1
5	80109	Burner Assembly	1		80182	Back Panel (White)	1
6	80083	Regulator	1	17	80037	Wall Mounting Bracket	1
7	NA	Regulator Connection	1	18	80013	High Limit Switch (Fan)*	1
8	80055	Regulator Mounting Bracket	1	19	F299201	Fan Assembly*	1
9	80009-08	Orifice	1	20	80049	Fan Switch*	1
10	80014	Igniter Wire	1	**	70342	Hardware Kit (not shown)	1
11	70640	Thermostat Valve	1				
12	80019	Igniter Module	1				

\*If Equipped



**WARNING:** Failure to position the parts in accordance with these diagrams or failure to use only parts specifically approved with this heater may result in property damage or personal injury.

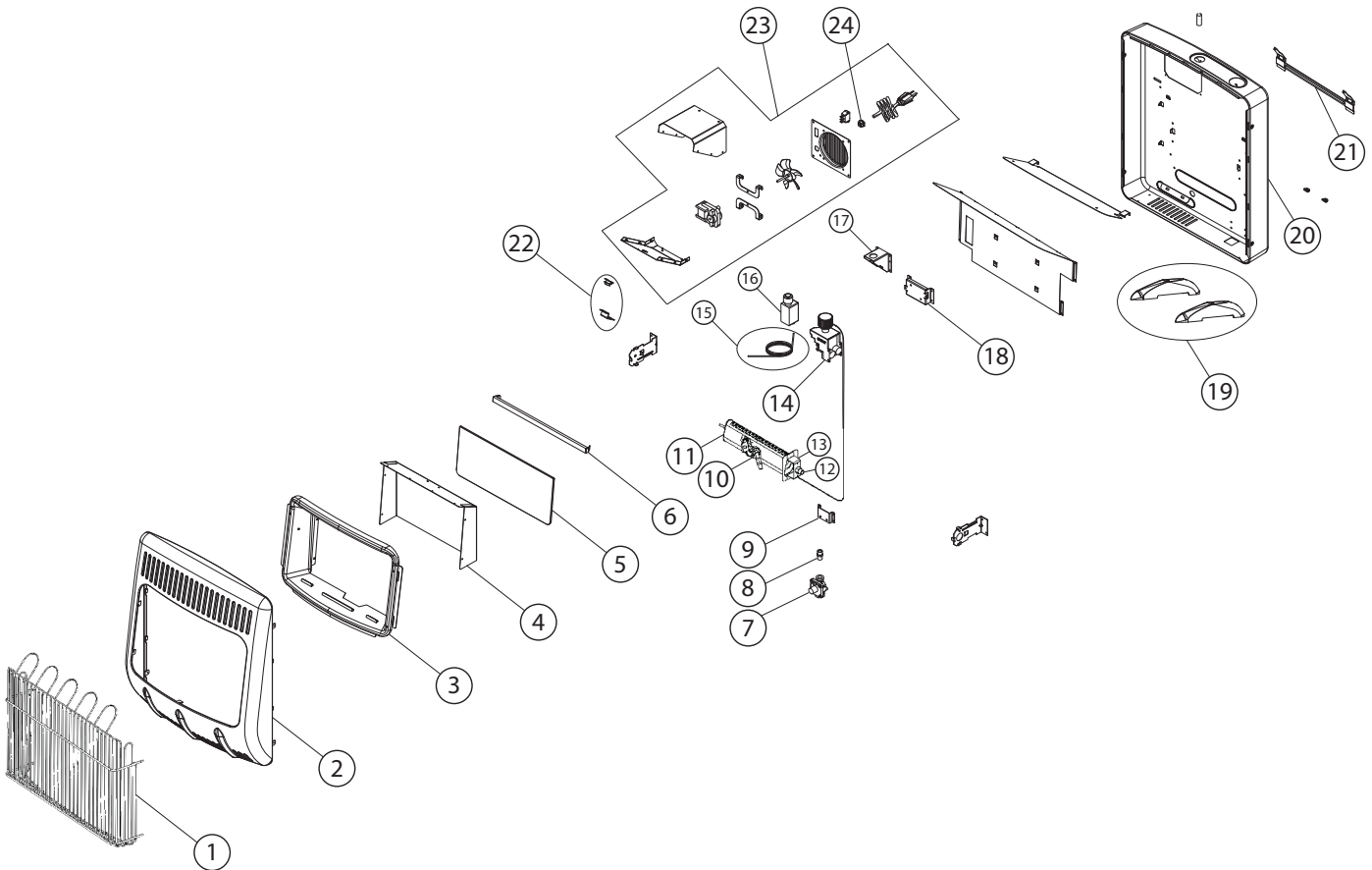


# PARTS LIST AND DIAGRAM

MODEL: HSSVFBF20NGBT							
ITEM	P/N	PART DESCRIPTION	QTY	ITEM	P/N	PART DESCRIPTION	QTY
1	80122	Wire Guard	1	14	70640	Thermostat Valve	1
2	80096	Front Panel (Beige)	1	15	80014	Igniter Wire	1
	80205	Front Panel (White)	1	16	80019	Igniter Module	1
3	80087	Reflector	1	17	80011	Igniter Module Mounting Bracket	1
4	80088	Front Heat Shield	1	18	80010	Thermostat Valve Mounting Bracket	1
5	80093	Glass	1	19	80058	Floor Mounting Feet (Beige)	1
6	80091	Glass Bracket	1		80214	Floor Mounting Feet (White)	1
7	80107	Regulator	1	20	80097	Back Panel (Beige)	1
8	NA	Regulator Connection	1		80179	Back Panel (White)	1
9	80055	Regulator Mounting Bracket	1	21	80037	Wall Mounting Bracket	1
10	80057	ODS Pilot Assembly w/ Thermo-couple	1	22	80013	High Limit Switch (Fan)*	1
11	80085	Burner Assembly	1	23	F299201	Fan Assembly*	1
12	80009-07	Orifice	1	24	80049	Fan Switch*	1
13	80073	Orifice Adapter	1	**	70342	Hardware Kit (not shown)	1

\*If Equipped

**WARNING:** Failure to position the parts in accordance with these diagrams or failure to use only parts specifically approved with this heater may result in property damage or personal injury.



# PARTS LIST AND DIAGRAM

MODEL: HSSVFBF30NGBT

ITEM	P/N	PART DESCRIPTION	QTY	ITEM	P/N	PART DESCRIPTION	QTY
1	80123	Wire Guard	1	14	70640	Thermostat Valve	1
2	80065	Front Panel (Beige)	1	15	80014	Igniter Wire	1
	80208	Front Panel (White)	1	16	80019	Igniter Module	1
3	80025	Reflector	1	17	80011	Igniter Module Mounting Bracket	1
4	80029	Front Heat Shield	1	18	80010	Thermostat Valve Mounting Bracket	1
5	80039	Glass	1	19	80058	Floor Mounting Feet (Beige)	1
6	80035	Glass Bracket	1		80214	Floor Mounting Feet (White)	1
7	80083	Regulator	1	20	80066	Back Panel (Beige)	1
8	NA	Regulator Connection	1		80182	Back Panel (White)	1
9	80055	Regulator Mounting Bracket	1	21	80037	Wall Mounting Bracket	1
10	80057	ODS Pilot Assembly w/ Thermo-couple	1	22	80013	High Limit Switch (Fan)*	1
11	80018	Burner Assembly	1	23	F299201	Fan Assembly*	1
12	80009-09	Orifice	1	24	80049	Fan Switch*	1
13	80073	Orifice Adapter	1	**	70342	Hardware Kit (not shown)	1

\*If Equipped

**⚠ WARNING:** Failure to position the parts in accordance with these diagrams or failure to use only parts specifically approved with this heater may result in property damage or personal injury.

