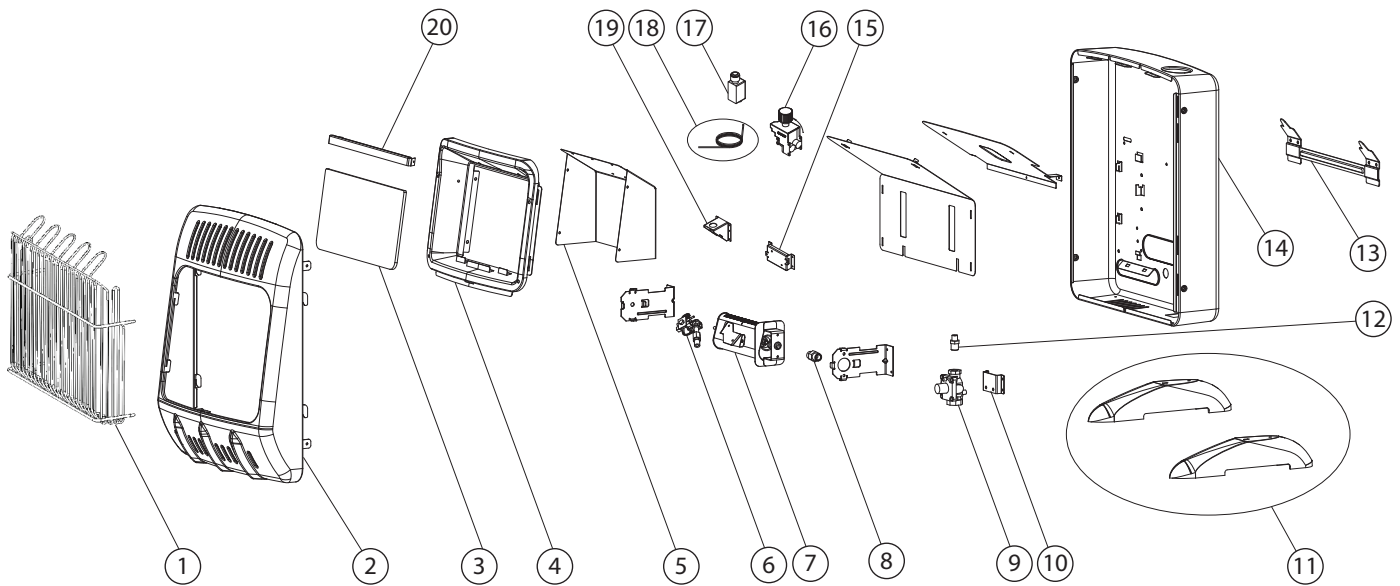


# PARTS LIST AND DIAGRAM

MODEL: HSSVFBF10LPT

ITEM	P/N	PART DESCRIPTION	QTY	ITEM	P/N	PART DESCRIPTION	QTY
1	80121	Wire Guard	1	12	NA	Regulator Connection	1
2	80051	Front Panel (Beige)	1	13	80036	Wall Mounting Bracket	1
	80201	Front Panel (White)	1	14	80052	Back Panel (Beige)	1
3	80038	Glass	1		80177	Back Panel (White)	1
4	80024	Reflector	1	15	80010	Thermostat Valve Mounting Bracket	1
5	80026	Reflector Back Panel	1	16	70640	Thermostat Valve	1
6	80056	ODS Pilot Assembly w/ Thermocouple (LP)	1	17	80019	Igniter Module	1
7	80017	Burner Assembly	1	18	80014	Igniter Wire	1
8	80009-01	Orifice	1	19	80011	Igniter Module Mounting Bracket	1
9	80078	Regulator	1	20	80034	Glass Bracket	1
10	80055	Regulator Mounting Bracket	1	**	70342	Hardware Kit (not shown)	1
11	80058	Floor Mounting Feet (Beige)	1				
	80214	Floor Mounting Feet (White)	1				

**⚠ WARNING:** Failure to position the parts in accordance with these diagrams or failure to use only parts specifically approved with this heater may result in property damage or personal injury.



# PARTS LIST AND DIAGRAM

MODEL: HSSVFRD10LPT				
ITEM	P/N	PART DESCRIPTION	QTY	
1	80040	Wire Guard	1	
2	80051	Front Panel (Beige)	1	
	80201	Front Panel (White)	1	
3	80022	Reflector	1	
4	80115	Burner Assembly	1	
5	80056	ODS Pilot Assembly w/ Thermocouple (LP)	1	
6	80078	Regulator	1	
7	80055	Regulator Mounting Bracket	1	
8	80058	Floor Mounting Feet (Beige)	1	
	80214	Floor Mounting Feet (White)	1	
9	NA	Regulator Connection	1	
10	80036	Wall Mounting Bracket	1	
11	80052	Back Panel (Beige)	1	
	80177	Back Panel (White)	1	
12	80010	Thermostat Valve Mounting Bracket	1	
13	80011	Igniter Module Mounting Bracket	1	
14	70640	Thermostat Valve	1	
15	80014	Igniter Wire	1	
16	80019	Igniter Module	1	
**	80009-01	Orifice (not shown)	1	
**	70342	Hardware Kit (not shown)	1	

**WARNING:** Failure to position the parts in accordance with these diagrams or failure to use only parts specifically approved with this heater may result in property damage or personal injury.

