



OPERATING INSTRUCTIONS AND OWNER'S MANUAL

Model #

HS250AG
HS400AG
HS408AG

READ INSTRUCTIONS CAREFULLY: Read and follow all instructions. Place instructions in a safe place for future reference. Do not allow anyone who has not read these instructions to assemble, light, adjust or operate the heater.



HS250AG



HS400AG



HS408AG

LANGUAGES INCLUDED
•ENGLISH
•FRENCH

WARNING: If the information in this manual is not followed exactly, a fire or explosion may result, causing property damage, personal injury or loss of life.

- Do not store or use gasoline or other flammable vapors and liquids in the vicinity of this or any other appliance.
- An LP cylinder not connected for use shall not be stored in the vicinity of this or any other appliance.
- WHAT TO DO IF YOU SMELL GAS
 - Do not try to light appliance.
 - Extinguish any open flame.
 - Shut off gas to appliance.
- Service must be performed by a qualified service agency.

This is an un-vented gas-fired portable heater. It uses air (oxygen) from the area in which it is used. Adequate combustion and ventilation must be provided. Refer to pages



⚠WARNING:

YOUR SAFETY IS IMPORTANT TO YOU AND TO OTHERS, SO PLEASE READ THESE INSTRUCTIONS BEFORE YOU OPERATE THIS HEATER.

⚠WARNING:

NOT FOR HOME OR RECREATIONAL VEHICLE USE

⚠GENERAL HAZARD WARNING:

FAILURE TO COMPLY WITH THE PRECAUTIONS AND INSTRUCTIONS PROVIDED WITH THIS HEATER, CAN RESULT IN DEATH, SERIOUS BODILY INJURY AND PROPERTY LOSS OR DAMAGE FROM HAZARDS OF FIRE, EXPLOSION, BURN, ASPHYXIATION, CARBON MONOXIDE POISONING, AND/OR ELECTRICAL SHOCK. ONLY PERSONS WHO CAN UNDERSTAND AND FOLLOW THE INSTRUCTIONS SHOULD USE OR SERVICE THIS HEATER.

IF YOU NEED ASSISTANCE OR HEATER INFORMATION SUCH AS AN INSTRUCTIONS MANUAL, LABELS, ETC. CONTACT THE MANUFACTURER.

⚠WARNING:

FIRE, BURN, INHALATION, AND EXPLOSION HAZARD. KEEP SOLID COMBUSTIBLES, SUCH AS BUILDING MATERIALS, PAPER OR CARDBOARD, A SAFE DISTANCE AWAY FROM THE HEATER AS RECOMMENDED BY THE INSTRUCTIONS. NEVER USE THE HEATER IN SPACES WHICH DO OR MAY CONTAIN VOLATILE OR AIRBORNE COMBUSTIBLES, OR PRODUCTS SUCH AS GASOLINE, SOLVENTS, PAINT THINNER, DUST PARTICLES OR UNKNOWN CHEMICALS.



THE STATE OF CALIFORNIA REQUIRES THE FOLLOWING WARNINGS:

WARNING: Combustion by-products produced when using this product contain carbon monoxide, a chemical known to the State of California to cause cancer and birth defects (or other reproductive harm).

WARNING: This product contains chemicals known to the State of California to cause cancer and birth defects or other reproductive harm.

CONTENTS

- WARNINGS.....2
- SPECIFICATIONS3
- OPERATING PRECAUTIONS.....4
- SAFETY PRECAUTIONS4
- INSTALLATION.....5
- ELECTRICAL CONNECTIONS.....5
- GAS LINE OPERATION6
- CONTROL PANEL7
- FUEL CONVERSION9
- OPERATING INSTRUCTIONS.....8
- MAINTENANCE.....9
- TROUBLESHOOTING 10-11
- WIRING DIAGRAM 12-13
- PARTS LISTS AND EXPLODED VIEWS 14-15
- WARRANTY INFORMATION.....16

SPECIFICATIONS

MODEL# (Stock#)	HS250AG (F130105)	HS400AG (F130110)	HS408AG (F130115)
Natural Gas			
SUPPLY PRESSURE	Min 8" W.C - Max 10" W.C	Min 8" W.C - Max 10" W.C	Min 8" W.C - Max 10" W.C
RING NOZZLE (INCHES)	N. 16 Holes x 0.102"	N. 16 Holes x 0.138"	N. 16 Holes x 0.138"
HEAT INPUT (BTU/HR)	250,000	400,000	400,000
MANIFOLD PRESSURE	2,61	2,38	2,38
FUEL CONSUMPTION (CFH)	233.51	355.52	355.52
GAS INLET	3/4" NPT	3/4" NPT	3/4" NPT
NOISE LEVEL AT 1m	77 (dBA)	74 (dBA)	74 (dBA)
L.P.			
SUPPLY PRESSURE	Min 8" W.C - Max 13" W.C	Min 8" W.C - Max 13" W.C	Min 8" W.C - Max 13" W.C
RING NOZZLE (INCHES)	N. 12 Holes x 0.079"	N. 12 Holes x 0.098"	N. 12 Holes x 0.098"
HEAT INPUT (BTU/HR)	250,000	400,000	400,000
MANIFOLD PRESSURE	3.64	4.01	4.01
FUEL CONSUMPTION (CFH)	85.94	141.95	141.95
GAS INLET	3/4"	3/4"	3/4"
NOISE LEVEL AT 1m	77 (dBA)	74 (dBA)	74 (dBA)
ELECTRICAL			
ELEC. SUPPLY (VOLTS/Hz/PHASE)	120V-60HZ- 1Ø	120V-60HZ-1Ø	208V-60HZ-1Ø
CONTINUOUS AMPS	5.0 AMPS	9.5 AMPS	5.0 AMPS
WATTS	530 W	1000 W	1050 W
DIMENSIONS			
LENGTH X WIDTH X HEIGHT (in)	45.1" X 23.2" X 17.4"	46.7" x 26.9" x 21.1"	46.7" x 26.9" x 21.1"
WEIGHT (LBS)	101	123	123

CLEARANCE TO COMBUSTIBLES

MODEL	TOP	SIDES	BACK	OUTLET
HS250AG	3'ft- 1M	3'ft- 1M	3'ft- 1M	10'ft- 3m
HS400AG	3'ft- 1M	3'ft- 1M	3'ft- 1M	10'ft- 3m
HS408AG	3'ft- 1M	3'ft- 1M	3'ft- 1M	10'ft- 3m

Heater shall not be directed toward any propane-gas container within 6 m (20 feet) and minimum clearances from gas cylinder must be 3 m (10 feet)

OPERATING PRECAUTIONS

This is a propane or natural gas, direct-fired, forced air heater. It's intended use is primarily temporary heating of buildings under construction, alteration or repair.

The hot air generator is designed for heating medium and large ventilated premises, for which a fixed heating system is required.

Heater is to be run on heating with natural gas or LPG according to gas supply pressures that must be in conformity with the national laws.

Heater is supplied after a complete functional test and it's therefore prearranged for one of the working gas indicated in SPECIFICATION: an adhesive label applied on the gas selector valve (a) indicates the selected gas.

To change the type of gas, follow the detailed instructions indicated in section "CHANGING TYPE OF GAS".

The heater is of the direct combustion type. The air is heated by the energy developed during combustion and then conveyed to the environment to be heated together with the combustion products, thus making available 100% of the thermal power produced. The environment must be suitably ventilated in order to ensure adequate air circulation.

In the event of serious malfunction various safety devices (electronic flame control unit, overheating thermostat, air pressure switch) trigger turning off the heater .

The electronic flame control unit monitors if the flame is irregular or goes out, the safety thermostat triggers when the temperature in the combustion chamber exceeds the safety limit value, the air pressure switch will cut in if the airflow is insufficient.

In each of the said cases the unit stops according to the procedure described in "OPERATING INSTRUCTIONS".

In each of the said cases the lamp (8) will light up and the heater will stop working. The heater can be restarted only by pressing the reset button (8). Nonetheless, the cause that triggered the safety device should always be carefully analyzed and resolved before restarting the generator (cfr. "FAULTS, CAUSES AND REMEDIES").

SAFETY PRECAUTIONS

1. Check the heater thoroughly for damage. DO NOT operate a damaged heater.
2. DO NOT modify the heater or operate a heater which has been modified from its original condition.
3. Use only fuel types for which the heater has been certified.
4. Minimum clearances from combustible material must be: 1 m (3 feet) from side, ceiling, floor and rear (air inlet) of heater 3 m (10 feet) on air outlet of heater.
5. Heater shall not be directed toward any propane-gas container within 6 m (20 feet) and minimum clearances from gas cylinder must be 3 m (10 feet)
6. Don't install the heater in places where there may be a risk of fire or explosion
7. All fire prevention regulations must be adhered to.
8. The heater is not duct able and shall not be connected to any duct work for air distribution.
9. The room or building which is being heated must be sufficiently ventilated so that the heater has enough air to function properly;
10. The air suction and/or supply pipes are not blocked in any way, there are not sheets or covers resting on the machine or walls and bulky objects near the heater;
11. The generator is placed near a power switchboard having specifications in conformity with those declared;
12. The unit is placed in a fixed position;
13. The generator is regularly monitored during operation and checked before being started up;
14. Don't let animals or children near the heater.
15. Make sure heater is inspected before each use, and at least annually by a qualified service person.
16. After use make sure the disconnecting switch is off.
17. When using any type of heater it is obligatory: not to exceed the maximum level of heat output of the furnace ("SPECIFICATION TABLE");
18. Make sure that there is adequate air circulation and air supply to the heater and that nothing is obstructing the aspiration and expulsion of air; movement of air may be obstructed in various ways including placing covers or other objects on the heater or positioning the heater too near a wall or other large object. If the airflow is not adequate, the combustion chamber will overheat and the overheat thermostat will turn the burner off
19. Use only the electrical power specified. The electrical connection and grounding must comply with National Electrical Code - ANSI/NFPA 70 (USA) and CSA C22.1 Canadian Electrical Code, Part 1 (Canada).
20. Use only in accordance with local codes or, in the absence of local codes, with the Standard for the Storage and Handling of Liquefied Petroleum Gases ANSI/NFPA 54 and CSA B149.1, Natural Gas and Propane Installation Code.

INSTALLATION

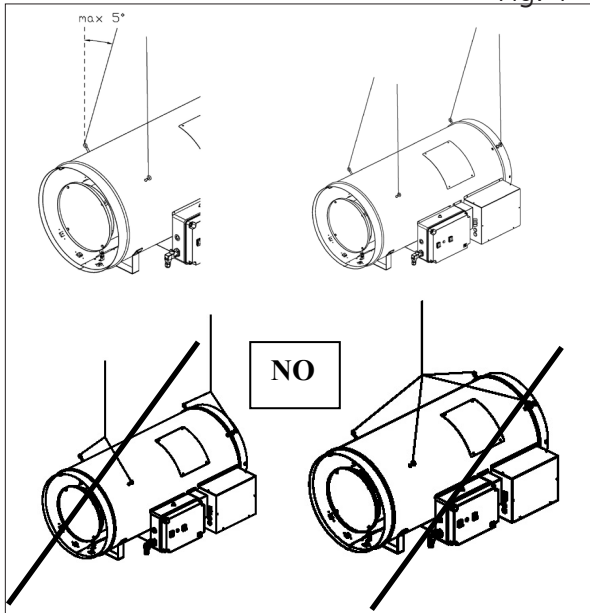
⚠ All the operations described in this paragraph must be performed by professional and skilled personnel only.

An approved manual gas valve shall be provided by the installer.

The space heater can be installed suspended from the ceiling or a top a support base.

Ceiling Mount(Fig 1)- These heaters include eye bolt support hooks. It may be hung from the ceiling with metal chain or rope of appropriate load capacity and length. Use the packaged factory eyebolts attach to the four suspension points.

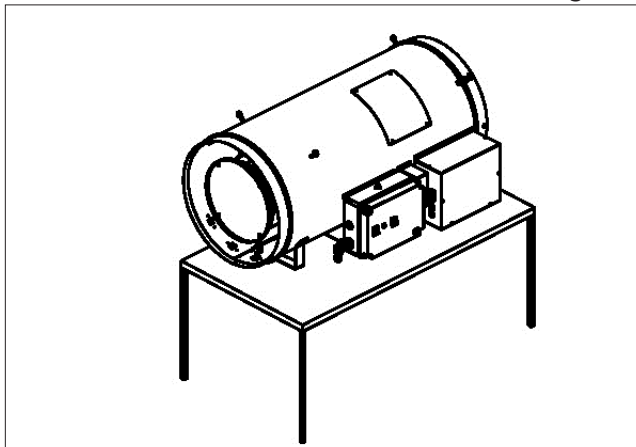
Fig. 1



The space heater can be installed on a support base (Fig. 2), which must be:

- Stable, horizontal, broader in base than heater length and width.
- Made of non-combustible material
- Able to hold 150 lbs.

Fig. 2



⚠ **Warning:**

Make sure that the ropes and/or chains form an angle not more than 5° with vertical to the ceiling, that the ropes do not cross, and that a different rope is used for each hook.

⚠ **Warning:**

In case of installation in greenhouses, mechanical ventilation shall be interlocked to the heater operation or permanent openings shall be fixed for ventilation air.

ELECTRICAL CONNECTIONS

⚠ **Warning:**

The equipment is fitted with a temporary power cable, used for the final control test at factory.

⚠ **Warning:**

The temporary power cord must be removed and replaced with a proper power cord whose type and dimension shall be in accordance with national rules.

⚠ **Warning:**

The power line of the generator must feature an earth lead and a residual current circuit breaker. The supply cable must be connected to a switchboard with sectioning switch.

⚠ **Warning:**

When installed, the appliance must be electrically grounded in accordance with local codes, or in the absence of local codes, with the National Electrical Code, ANSI/NFPA 70, and/or the CSA C22.1, Canadian Electrical Code, if an external electrical source is utilized.

Only for 120 V models, the electrical power cable must be connected in conformity to the polarity specified on the main terminal board of the electrical panel: phase (L) and neutral (N).

⚠ **Warning:**

Only for 120 V models, if polarities L and N are incorrect, the space heater may stop a few seconds after it is switched on for the first time.

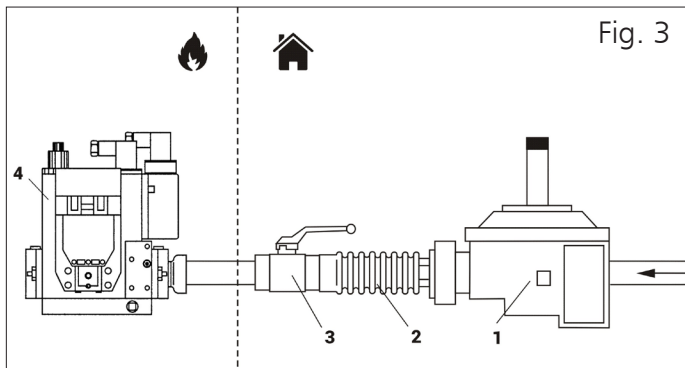
If any room thermostat or other accessories are connected to the system (such as the timer for example) this must be done by connecting the electrical cable to the thermostat plug (10):

- Take the plug (c) out of the power switchboard, open it and remove the electrical jumper between terminals 2 and 3 of the plug.
- Connect the thermostat electrical cable to terminals 2 and 3 of the thermostat plug (c);
- Close the plug again and plug it back into the power switchboard.

Having completed all these operations check carefully that all electrical connections correspond to the wiring diagram. When the heater is first turned on you must check that the fan does not use more current than the maximum permitted limit.

GAS LINE CONNECTIONS

The connection to the gas feed pipe, whose sizes must correspond to the kind of system to be made, must be carried out by placing the "gas valve" as indicated in Fig. 3: the gas pipe, the interception tap and the anti-vibration joint are not supplied with the heater and they must be arranged by the person in charge of installation.



- 1: Filter-pressure regulator or filter
- 2: Anti vibration joint
- 3: Manual shut-off valve
- 4: Gas valve

In case of connection of heater to natural gas, the installation shall conform with local codes or, in the absence of local codes, with the National Fuel Gas Code ANSI Z223.1/NFPA 54 and the Natural Gas and Propane Installation Code, CSAB149.1.

In case of connection to a propane supply cylinder:

- (a) the installation must conform with local codes or, in the absence of local codes, with the Standard for the Storage and Handling of Liquefied Petroleum Gases, ANSI/NFPA 58 and the Natural Gas and Propane Installation Code, CSA B149.1.
- (b) to determine size and capacity of the cylinder(s) and for any specific requirements consult your LP gas supplier. In any case propane tank should not be lower than 100 lb (90 liters)
- (c) the cylinder supply system shall be arranged to provide for vapour withdrawal from the operating cylinder;
- (d) the gas shall be turned off at the propane supply cylinder when the heater is not in use;
- (e) when the heater is to be stored indoors, the connection between the propane supply cylinder and the heater must be disconnected and the cylinders removed from the heater and stored in accordance with Standard for the Storage and Handling of Liquefied Petroleum Gases, ANSI/NFPA 58 and CSA B149.1, Natural Gas and Propane Installation Code.

The appliance and its individual shut-off valve must be disconnected from the gas supply piping system during any pressure testing of that system at test pressures in excess of 1/2 psi (3.5 kPa).

The appliance must be isolated from the gas supply piping system by closing its individual manual shut-off valve during any pressure testing of the gas supply piping system at test pressures equal or less than 1/2 psi (3.5 kPa).

A minimum 1/8" NPT plugged tapping, accessible for test gauge connection, must be installed immediately upstream of the gas supply connection to the appliance.

The heater is supplied after a complete functional test and it's therefore prearranged for one of the gas (natural or LPG) indicated in Specification: an adhesive label applied on the gas valve (Fig. 3) indicates the working gas (usually it's natural gas). Should it be necessary to change the kind of gas (from natural gas to LPG or vice versa) follow the detailed instructions indicated in section "Fuel Conversion"

Only when the heater has been prearranged according to the proper working gas will it be possible to carry out the following operations:

- Leak away some gas from the feed pipe;
- Check that the pipe is gas proof;
- Open the gas stop on/off valve and start the hot air generator;

For installation in the U.S.A. at elevation above 2,000 feet (610 m), the appliance shall be derated 4 per cent for each 1,000 feet (305 m) of elevation above sea level.

For installation in Canada at elevation above 2,000 feet to 4,500 feet above sea level, the heater is derated reducing the output for the appropriate fuel in accordance with the rating plate manifold pressure.

CONTROL PANEL

- 1 COMBUSTION CHAMBER
- 2 BURNER
- 3 DIFFUSION RING
- 4 FLAME GUARD SHIELD
- 5 COOLING FAN
- 6 IONIZATION ELECTRODE
- 7 IGNITION ELECTRODE
- 8 CONTROL FLAME RESET BUTTON
- 9 HEATING SWITCH
- 10 ROOM THERMOSTAT PLUG
- 11 POWER CONTROL LAMP
- 12 SAFETY THERMOSTAT LAMP
- 13 VENTILATION MODE SWITCH
- 14 SAFETY THERMOSTAT RESET BUTTON
- 15 CABLE FASTENER FOR POWER CORD

FIG. 4

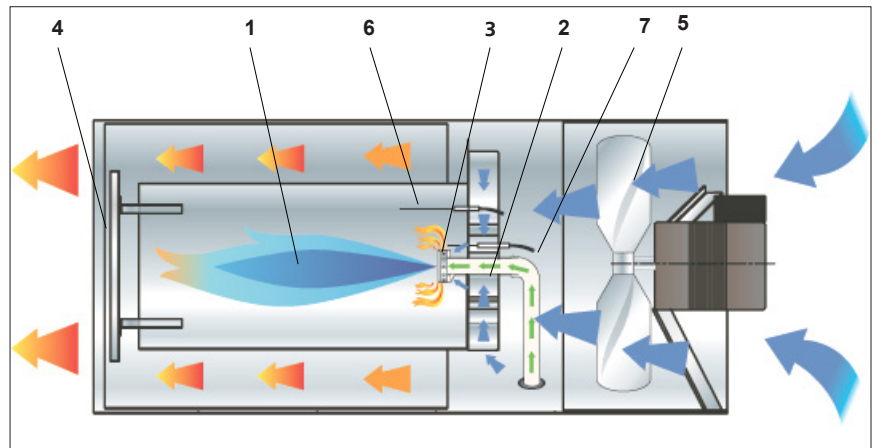
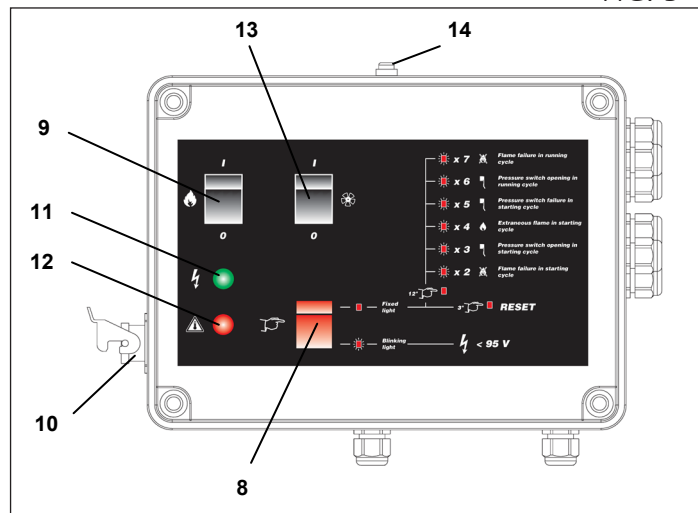


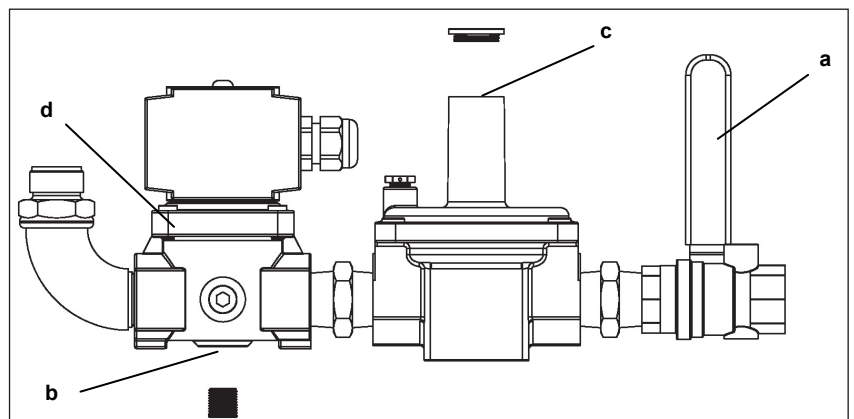
FIG. 5



MANIFOLD ASSEMBLY

- a SHUT OFF / FIRING VALVE
- b MANIFOLD PRESSURE PORT (MANIFOLD)
- c MANIFOLD PRESSURE REGULATOR
- d MAIN GAS VALVE

FIG. 6



OPERATING INSTRUCTIONS

⚠ Warning

Any time the power cord of the heaters is connected to a receptacle check the polarity of power supply:

- Check switch (9) and (13) are on "0" (REFER to FIG. 5)
- Connect plug to receptacle
- If lamp (#14 FIG. 5) lights up, then reverse polarity

⚠ Warning

If the correspondence of phase / neutral polarity is not correct, the unit may stop in the reset mode.

HEATING MODE

Turning ON:

- Make sure switch (#9 FIG. 5) is on "0";
- Power the heater by means of the sectioning switch on the switchboard;
- If the unit is operated manually (without any thermostat or any other control device) turn the switch (9) to position "1". The burner starts up, the combustion chamber heats up and then the fan starts;
- If the unit operates automatically (being connected to any thermostat or any other control device) turn the switch (9) to position "1" and set the room thermostat at the desired level: the heater will now start and stop automatically.
- If after these operations, the generator does not work, refer to the "FAULTS, CAUSES AND REMEDIES" paragraph and find the cause.

SETTING POST VENTILATION MODE:

By the switch (#13 FIG. 5) on control panel, select the post-ventilation mode, that is the time the fan goes on blowing air when unit is switched off:

- When switch (#13 FIG. 5) is on pos. "0" then post ventilation lasts for 30 sec.
- When switch (#13 FIG. 5) is on pos. "1" then post ventilation is continuous.

Turning OFF:

In manual operation turn switch (#9 FIG. 5) to "0" or turn thermostat control knob off.

After switching off the machine, a post ventilation function works according to the previous setting.

⚠ Warning

Finally, close the gas supply on/off valve, close the shut-off valve (f) and turn off the sectioning switch (Fig. 5).

VENTILATION MODE

To obtain the ventilation function only, make sure switch (#9 FIG. 5) is on position "0" and then simply turn the switch

(#13 FIG. 5) to position "1". To stop it, turn the switch to position "0".

⚠ Warning

Whichever the reason, the unit only tries to restart once. If the cause of malfunction remain, the unit definitively stop and lamp (8# FIG. 5) will light up.

The heater can be restarted only by pressing the reset button (#8 FIG. 5). Nonetheless, the cause that triggered the safety device should always be carefully analyzed and resolved before restarting the generator (cfr. "FAULTS, CAUSES AND REMEDIES").

TRANSPORT AND HANDLING:

⚠ Warning

Before moving the unit:

- Stop the machine as indicated in the "STOP" paragraph;
- Disengage the power supply by removing the plug from the power socket;
- Fully unscrew the fitting connecting the gas hose pipe to the heater;
- Wait for the heater to cool down.

Fuel Conversion

⚠ Warning:

The conversion shall be carried out by a manufacturer's authorized representative, in accordance with the requirements of the manufacturer, provincial or territorial authorities having jurisdiction and in accordance with the requirements of the can/cga-b149.1 Or can/cgab149.2 Installation codes.

A conversion label shall be applied adjacent to the Rating Label:

THIS APPLIANCE HAS BEEN CONVERTED FOR USE AT AN ALTITUDE OF _____ FEET (ABOVE 2000 FEET)	
Orifice size:	_____
Manifold pressure:	_____
Input rate:	_____
Date of conversion:	_____
Type of fuel:	_____
Converted by:	_____

This operation may be carried out several times during the working life of the heater and not only at initial start-up. First of all refer to SPECIFICATIONS to identify the reference category for natural gas or propane gas type. For each gas category the supply pressure, the working pressure and the arrangement of the diffusion ring (#3 FIG. 4) are stated.

To convert from one type of gas to another proceed as follows:

- If stated in Tab.I, change the diffusion ring (#3 Fig. 4):
- Remove the upper body of the heater;
- Unscrew and remove the ionization electrode (#6 FIG. 4)

- Undo the screws that secure the combustion head (3) to the combustion chamber (#1 FIG. 4)
- Remove the three screws on the burner head plate and change the diffusion ring securing it in such a way that the ignition electrode is equidistant between the two subsequent holes;
- Calibrate the gas pressure switch on the gas valve group (#4 Fig.3):
- Regulate the gas pressure switch to a value equal to 80% the supply pressure;
- Regulate the pressure regulator for the gas valve group (Fig.3); to the burner pressure stated in SPECIFICATIONS.
- Connect a gauge to the pressure intake (1) upstream and a second gauge to the pressure intake downstream (2) of the valve group;
- Start the heater and take the reading off the 1st supply pressure gauge and if necessary adjust the pressure regulator (#3 FIG. 6) for the gas supply system until the correct supply pressure shown in SPECIFICATIONS is reached.
- Take a reading off the 2nd working pressure gauge and if necessary use a screwdriver to adjust the pressure of the gas valve group (#4 FIG. 3) to restore the working pressure shown in SPECIFICATIONS.
- Apply the adhesive label with the words "SET UP FOR ..." corresponding to the type of fuel and the chosen category on the gas valve group

Cleaning of the burner shall be regularly performed by qualified service person. To access the burner, remove the flame guard panel of combustion chamber (front side) and clean carefully inside the combustion chamber and the whole burner head and electrodes.

This heater can be washed, provided that:

- A. The heater is disconnected from the electrical supply.
- B. All access panels are securely closed.
- C. Water spray nozzle shall not discharge within 6 feet of the heater.
- D. The heater is not reconnected to electrical supply until thoroughly dried.

Improper cleaning of the heater can cause severe personal injury or property damage due to water and/or cleaning solutions:

- A. In electrical components, connections and wires causing electrical shocks or component failure.
- B. On gas control components causing corrosion which can result in gas leaks and fire or explosion from the leak. The hose assembly must be protected from the traffic, building materials and contact with hot surfaces both during use and while in storage.

⚠ Warning

After cleaning, the flame guard shield must be screwed securely back in place before operating heater.

Operating the heater without the flame guard shield can result in combustion producing CO (carbon monoxide) which can pose danger to those exposed to this to this environment.

MAINTENANCE

To regulate operation of the unit, the fans, combustion chamber and the burner must be at least annually inspected and periodically cleaned by a qualified service person.

⚠ Warning

Before performing any maintenance operation:

- **Stop the machine as indicated in the "STOP" paragraph;**
- **Disengage the power supply by removing the plug from the power socket;**
- **Close the gas supply stop on/off valve and shut-off valve (f);**
- **Wait for the heater to cool down.**







During cleaning any foreign bodies must be removed from the fan suction grille.

To access the burner, remove the flame guard panel (4) by removing the four screws and clean carefully inside the combustion chamber and the whole burner head: any debris shall be taken away.

⚠ Warning

Do not direct jets of compressed air towards the air pressure points near the main fan: the air pressure switch could be permanently damaged.

TROUBLESHOOTING

SYMPTOMS	CAUSE	SOLUTIONS
The heater does not start: Lamp  is off	No power supply	<ul style="list-style-type: none"> • Check functioning and position of switch • Check the mains • Check power connections • Check the fuse
The heater does not start: Lamp  is on	Switch (#9 FIG. 5) in wrong position	Select correct position
	Defective room thermostat	<ul style="list-style-type: none"> • Check that thermostat connection plug is inserted • Check the electrical connections of the thermostat • Check thermostat setting and correct it • Check functioning of thermostat
	Gas pressure switch tripped due to no gas or insufficient pressure	<ul style="list-style-type: none"> • Check that gas feed pipe has been bled • Check gas feed pressure
The heater works erratically and the burner goes on and off alternately:	Gas flow insufficient	<ul style="list-style-type: none"> • Check and clean gas filter. • Clean and recalibrate the burner.
The heater does not work: Lamp  flashes	Voltage control has tripped due to insufficient electrical supply ($V < 95V$)	<ul style="list-style-type: none"> • The heater restarts automatically when sufficient voltage is restored ($V > 95V$) • Check the power line if the heater starts and stops several times • Check the power line if the heater does not start and remains in safety stop
The heater does not work: Lamps  and  are on.	Manual reset safety thermostat has tripped due to excessive overheating of combustion chamber	<ul style="list-style-type: none"> • Check that the fan motor starts correctly and is not obstructed • Check that the fan motor is not burned out or that the motor condenser is not broken • Check burner calibration
The heater does not work: Lamp  is steady on	LAUNCH THE SELF-DIAGNOSIS PROCEDURE PUSH BUTTON (8) FOR 12 SECONDS AND RELEASE: THE BUTTON LAMP FLASHES WITH 2 TO 7 FLASHES	

TROUBLESHOOTING

Number of flashes of lamp (8)	2	No flame during ignition cycle	<ul style="list-style-type: none"> • Check gas pressure at burner • Check and clean gas filter • Check that ionization probe is not discharging to ground • Check ionization probe connection cables (they must not discharge to ground)
	3	Micro switch with blade has tripped (electrical contact remained open) at start of ignition cycle	<ul style="list-style-type: none"> • Check wire connection of pressure switch • Check pressure switch and replace if necessary
	4	Parasite flame detected in pre-wash phase during ignition cycle	<ul style="list-style-type: none"> • Check that there is no remaining gas in the combustion chamber • Check that ionization probe is not discharging to ground • Check ionization probe connection cables (they must not discharge to ground)
	5	Micro switch with blade has tripped (electrical contact has opened) during ignition cycle	<ul style="list-style-type: none"> • Check wire connection of pressure switch • Check that burner motor and fan are not blocked or broken; replace if necessary • Check that smoke exhaust chimney is not partially or totally obstructed • Check pressure switch and replace if necessary
SYMPTOMS		CAUSE	SOLUTIONS
Number of flashes of lamp (8)	6	Micro switch with blade has tripped (electrical contact has opened) during work cycle	<ul style="list-style-type: none"> • Check connection of pressure switch pipes • Check that burner motor and fan are not blocked or broken; replace if necessary • Check that smoke exhaust chimney is not partially or totally obstructed • Check pressure switch and replace if necessary
	7	No flame during work cycle	<ul style="list-style-type: none"> • Check gas pressure at burner • Check and clean gas filter • Check that ionization probe is not discharging to ground • Check ionization probe connection cables (they must not discharge to ground)
Fan is noisy or vibrates	Dirt on fan blades		<ul style="list-style-type: none"> • Remove dirt
	Poor air circulation		<ul style="list-style-type: none"> • Eliminate all obstacles to air flow
Insufficient heating	Insufficient burner capacity		<ul style="list-style-type: none"> • Contact Customer Service

In case of serious malfunction, the electronic equipment causes the heater to go into safety stop, and lamp (#8 FIG. 5) lights with a steady red light (stop light).

⚠ Warning

In case of a safety stop, you have to push the reset button (#8 FIG. 5) for 3 seconds to restart the heater.

⚠ Warning

NEVER do more than two restarts in a row: unburned fuel can accumulate in the combustion chamber and suddenly flare up at the next restart.

In case of safety stop, press the reset button (#8 FIG. 5) for at least 12 seconds to launch a self-diagnosis programme, after which the button will flash at different rates (Self-diagnosis lamp) according to the type of safety intervention: the synoptic on the electrical panel shows the possible types.

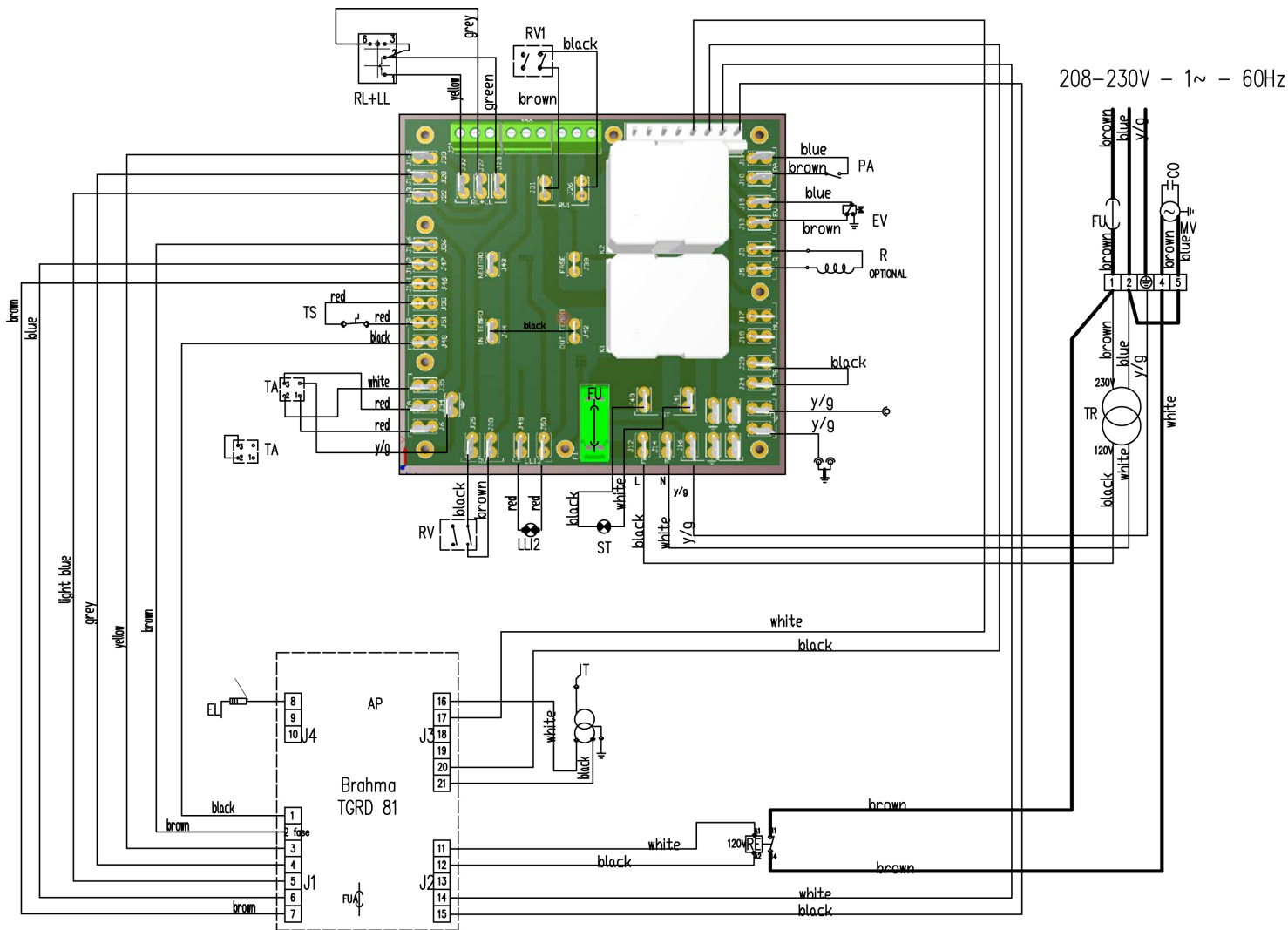
If the combustion chamber overheats, the safety thermostat (14) trips to shut off the burner and lamp (#8 FIG 5.) lights: to reset the burner, you have to shut off the heater completely, cut electrical power and push button (#14 FIG. 5).

⚠ Warning

You must always find the cause of the safety intervention and remove it before pushing reset button (#8 FIG 5) or button (#14 FIG 5) and restarting the heater.

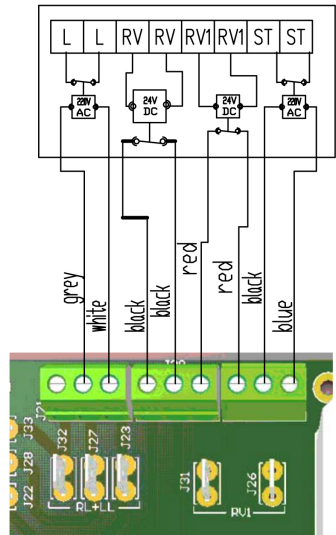
If the heater is still not working properly, please contact your nearest dealer or authorized Service Centre.

WIRING DIAGRAM

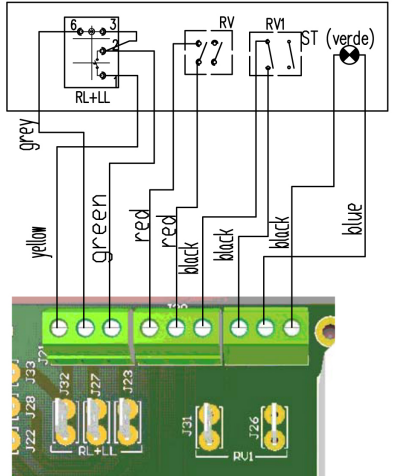


ACCESSORIES

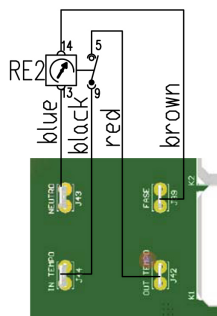
REMOTE CONTROL BY PC --- OPTIONAL



REMOTE CONTROL BY PANEL 5 meter --- OPTIONAL



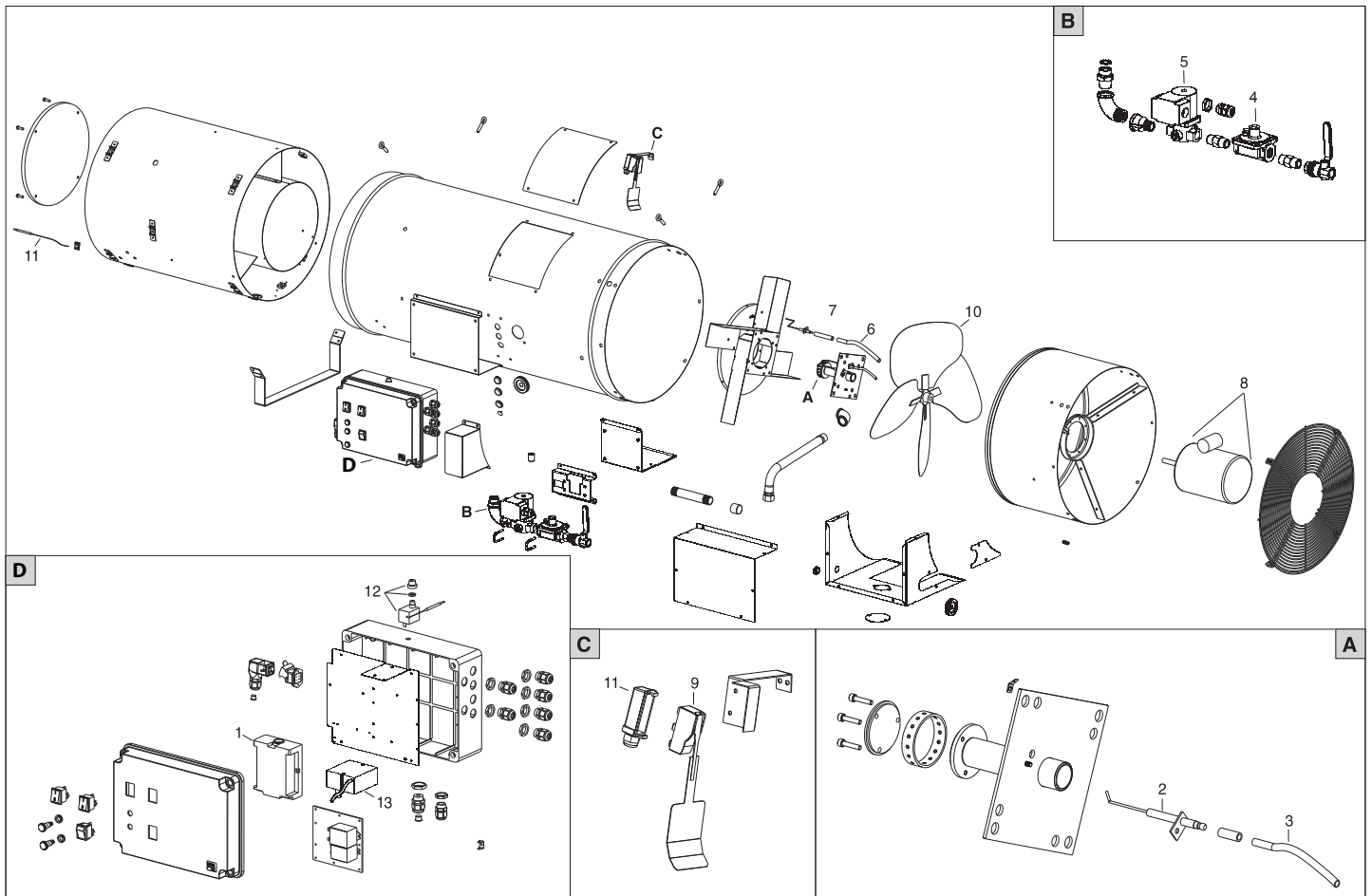
DELAY STARTING RELAY --- OPTIONAL



PARTS LIST AND DIAGRAM

Model 250AG

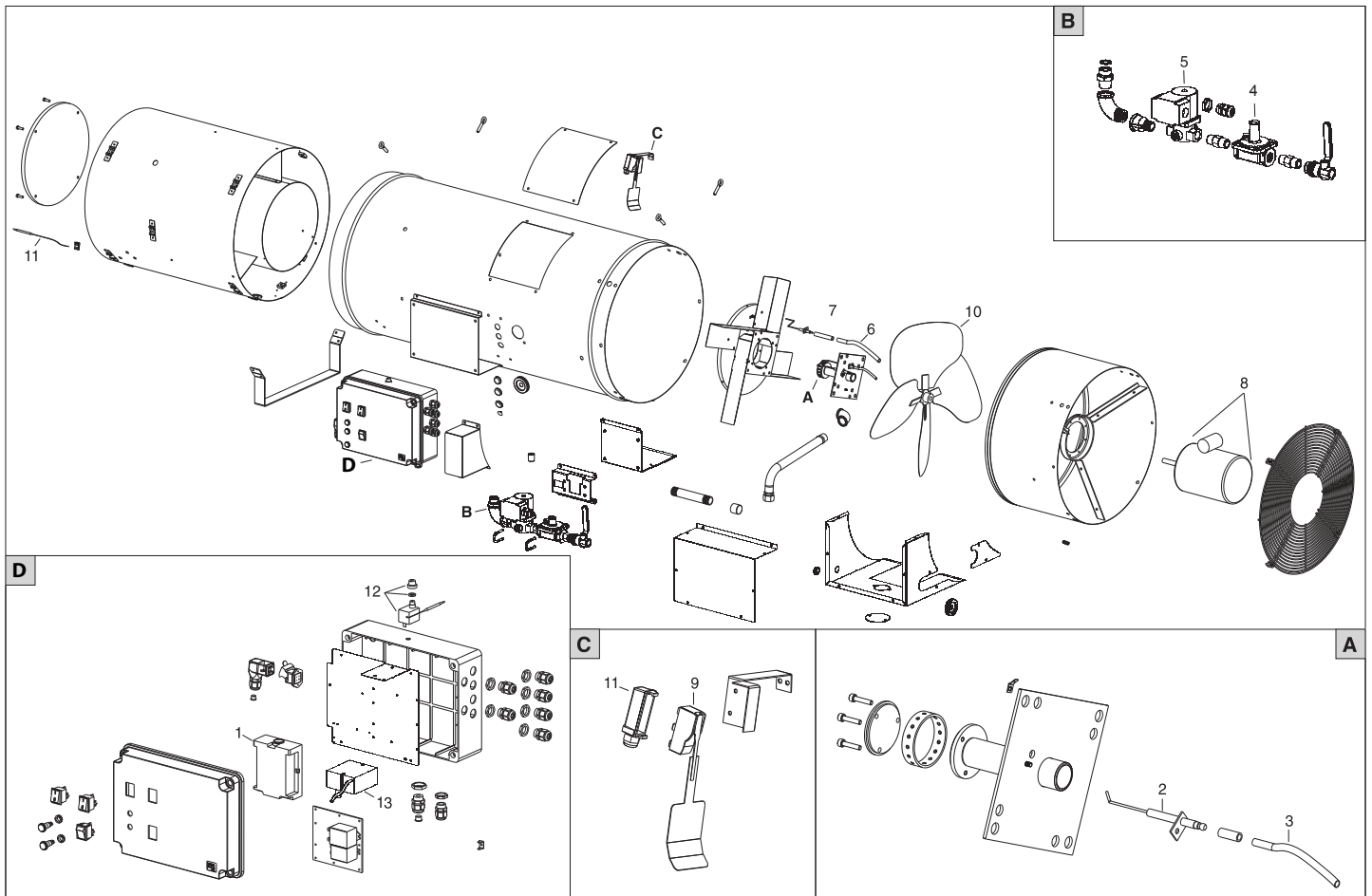
#	P/N	PART DESCRIPTION	QTY	#	P/N	PART DESCRIPTION	QTY
1	50330	Control board	2	9	50746	Pressure switch	
2	50735	Electrode	1	10	50747	Propeller	
3	50736	Electrode Cable	1	11	50749	Protection press. Switch	
4	50738	Gas regulator	1	12	50349	Thermostat	
5	50740	Gas Train	1	13	50329	Transformer	
6	50741	Ioniz. Cable	1		40251	LP to NG Conversion Kit (Not Shown)	
7	50742	Ioniz. Probe	1		40252	NG to LP Conversion Kit (Not Shown)	
8	50743	Motor	1				



PARTS LIST AND DIAGRAM

Model 400AG & 408AG

#	P/N	PART DESCRIPTION	QTY	#	P/N	PART DESCRIPTION	QTY
1	50330	Control board	2	8	50745	Motor	
2	50735	Electrode	1	9	50746	Pressure switch	
3	50736	Electrode Cable	1	10	50748	Propeller	
4	50737	Gas regulator	1	11	50749	Protection press. Switch	
5	50739	Gas Train	1	12	50349	Thermostat	
6	50741	Ioniz. Cable	1	13	50329	Transformer	
7	50742	Ioniz. Probe	1	*13	50750	Transf. 220/110 **(only for model 408AG)**	
8	50744	Motor			40253	NG to LP Conversion Kit (Not Shown)	





OPERATING INSTRUCTIONS AND OWNER'S MANUAL

Model #

HS250AG
HS400AG
HS408AG

READ INSTRUCTIONS CAREFULLY: Read and follow all instructions. Place instructions in a safe place for future reference. Do not allow anyone who has not read these instructions to assemble, light, adjust or operate the heater.

WARNING:

USE ONLY MANUFACTURER'S REPLACEMENT PARTS. USE OF ANY OTHER PARTS COULD CAUSE INJURY OR DEATH. REPLACEMENT PARTS ARE ONLY AVAILABLE DIRECT FROM THE FACTORY AND MUST BE INSTALLED BY A QUALIFIED SERVICE AGENCY.

PARTS ORDERING INFORMATION:

PURCHASING: Accessories may be purchased at any HEAT STAR local dealer or direct from the factory

FOR INFORMATION REGARDING SERVICE

Please call Toll-Free 866-447-2194 • HEATSTARBYENERCO.COM

Our office hours are 8:00 AM – 5:00 PM, EST, Monday through Friday.

Please include the model number, date of purchase, and description of problem in all communication.

LIMITED WARRANTY

The company warrants this product to be free from imperfections in material or workmanship, under normal and proper use in accordance with instructions of The Company, for a period of one year from the date of delivery to the buyer. The Company, at its option, will repair or replace products returned by the buyer to the factory, transportation prepaid within said one year period and found by the Company to have imperfections in material or workmanship.

If a part is damaged or missing, call our Technical Support Department at 866-447-2194.

Address any Warranty Claims to the Service Department, HEAT STAR Group, Inc., 4560 W. 160th St., Cleveland, Ohio 44135. Include your name, address and telephone number and include details concerning the claim. Also, supply us with the purchase date and the name and address of the dealer from whom you purchased our product.

The foregoing is the full extent of the responsibility of the Company. There are no other warranties, express or implied. Specifically there is no warranty of fitness for a particular purpose and there is no warranty of merchantability. In no event shall the Company be liable for delay caused by imperfections, for consequential damages, or for any charges of the expense of any nature incurred without its written consent. The cost of repair or replacement shall be the exclusive remedy for any breach of warranty. There is no warranty against infringement of the like and no implied warranty arising from course of dealing or usage of trade. This warranty will not apply to any product which has been repaired or altered outside of the factory in any respect which in our judgment affects its condition or operation.

Some states do not allow the exclusion or limitation of incidental or consequential damages, so the above limitation or exclusion may not apply to you. This Warranty gives you specific legal rights, and you may have other rights which vary from state to state.

HEAT STAR Group, Inc. reserves the right to make changes at any time, without notice or obligation, in colors, specifications, accessories, materials and models.



PRODUCT REGISTRATION: Thank you for your purchase.
Please log in to HEATSTARBYENERCO.COM to register your product.



INSTRUCTIONS D'UTILISATION ET MANUEL DU PROPRIÉTAIRE

No de modèle

HS250AG

HS400AG

HS408AG

VEUILLEZ LIRE ATTENTIVEMENT LES INSTRUCTIONS : Lire et observer toutes les instructions. Conserver ces instructions dans un endroit sécuritaire pour vous y référer ultérieurement. Interdisez à quiconque n'ayant pas lu les présentes instructions d'assembler, d'allumer, de régler ou de faire fonctionner cette fournaise.



HS250AG



HS400AG



HS408AG

LANGUES INCLUS
• ANGLAIS
• FRANÇAIS

AVERTISSEMENT : Si l'information dans ce manuel n'est pas suivie exactement, un incendie ou une explosion pourrait se produire causant des dommages aux biens, des blessures personnelles ou un décès.

- N'entreposez et n'utilisez pas d'essence ou d'autres liquides ou vapeurs inflammables à proximité de ce type d'appareil ou de tout autre appareil.
- Un cylindre de gaz propane (liquéfié) non branché pour utilisation ne devrait pas être entreposé près de cet appareil ou de tout autre appareil.
- QUOI FAIRE SI VOUS SENTEZ DU GAZ
 - N'essayez pas d'allumer l'appareil.
 - Éteignez toute flamme nue.
 - Fermez l'entrée de gaz allant vers l'appareil.
- L'entretien doit être effectué par une entreprise d'entretien accréditée.

Il s'agit d'une fournaise portable alimentée au gaz et non aérée. L'appareil utilise de l'air (oxygène) de l'endroit où il est utilisé. Une combustion et une ventilation adéquates doivent être fournies.

⚠ AVERTISSEMENT :

VOTRE SÉCURITÉ EST IMPORTANTE POUR VOUS ET POUR LES AUTRES, PAR CONSÉQUENT VEUILLEZ LIRE CES DIRECTIVES AVANT DE FAIRE FONCTIONNER CET APPAREIL DE CHAUFFAGE.

⚠ AVERTISSEMENT GÉNÉRAL DE:

LE NON-RESPECT DES MESURES DE PRÉVENTION ET DES INSTRUCTIONS FOURNIES AVEC CET APPAREIL DE CHAUFFAGE RISQUE DE CAUSER LA MORT, DES BLESSURES GRAVES ET DES DOMMAGES OU DES PERTES MATÉRIELLES RÉSULTANT D'INCENDIE, D'EXPLOSION, DE BRÛLURE, D'ASPHYXIE, D'INTOXICATION AU MONOXYDE DE CARBONE ET/OU D'ÉLECTROCUTION. SEULES LES PERSONNES APTES À COMPRENDRE ET À RESPECTER LES INSTRUCTIONS DEVRAIENT UTILISER OU EFFECTUER LE SERVICE DE CET APPAREIL DE CHAUFFAGE. SI VOUS AVEZ BESOIN D'AIDE OU D'INFORMATION CONCERNANT LA FOURNAISE TELS QUE MANUEL D'INSTRUCTIONS, ÉTIQUETTES, ETC., VEUILLEZ COMMUNIQUER AVEC LE FABRICANT.

⚠ AVERTISSEMENT :

NON CONÇU POUR UNE UTILISATION À L'INTÉRIEUR DE LA MAISON OU DANS UN VÉHICULE RÉCRÉATIF.

⚠ AVERTISSEMENT :

DANGER D'INCENDIE, D'INHALATION ET D'EXPLOSION. GARDEZ LES COMBUSTIBLES SOLIDES TELS QUE LES MATÉRIAUX DE CONSTRUCTION LE PAPIER ET LE CARTON À UNE DISTANCE SÉCURITAIRE DE L'APPAREIL DE CHAUFFAGE TEL QUE RECOMMANDÉ DANS LES INSTRUCTIONS. N'UTILISEZ JAMAIS LA FOURNAISE DANS UN ENDROIT QUI CONTIENT OU RISQUE DE CONTENIR DES COMBUSTIBLES VOLATILES OU EN SUSPENSION DANS L'AIR, OU DES PRODUITS TELS QUE DE L'ESSENCE, DES SOLVANTS, DU DILUANT À PEINTURE, DES PARTICULES DE POUSSIÈRE OU DES PRODUITS CHIMIQUES INCONNUS.

L'ÉTAT DE CALIFORNIE EXIGE QUE L'AVERTISSEMENT SUIVANT SOIT FOURNI :

AVERTISSEMENT : Les sous-produits de combustion émis lors de l'utilisation de cet appareil contiennent du monoxyde de carbone, un produit chimique reconnu par l'état de Californie comme pouvant causer le cancer et des malformations congénitales (ou autres dommages au système reproducteur).

AVERTISSEMENT : Cet appareil contient des produits chimiques reconnus par l'état de Californie comme pouvant causer le cancer et des malformations congénitales ou autres dommages au système reproducteur.

CONTENU

AVERTISSEMENTS.....	2
SPÉCIFICATIONS	3
PRÉCAUTIONS LIÉES AU FONCTIONNEMENT.....	4
PRÉCAUTIONS DE SÉCURITE	4
INSTALLATION.....	5
RACCORDEMENT ÉLECTRIQUE	5
GAS LINE OPERATION	6
GAZ LIGNE	7
CONVERSION DE COMBUSTIBLE.....	8
MODE D'EMPLOI	8
ENTRETIEN.....	9
DÉPANNAGE.....	10-11
SCHÉMA.....	12-13
LISTES DE PIÈCES ET VUES ÉCLATÉES.....	14-15
INFORMATIONS DE GARANTIE	16

SPÉCIFICATIONS

No DE MODÈLE	HS250AG (F130105)	HS400AG (F130110)	HS408AG (F130115)
Gaz naturel			
PRESSION D'ALIMENTATION	Min 8" W.C - Max 10" W.C	Min 8" W.C - Max 10" W.C	Min 8" W.C - Max 10" W.C
RING BUSE (POUCES)	N. 16 Holes x 0.102"	N. 16 Holes x 0.138"	N. 16 Holes x 0.138"
APPORT DE CHALEUR (BTU / H)	250,000	400,000	400,000
PRESSION D'ADMISSION	2,61	2,38	2,38
CONSOMMATION DE CARBURANT (CFH)	233.51	355.52	355.52
ENTRÉE DE GAZ	3/4" NPT	3/4" NPT	3/4" NPT
NIVEAU DE BRUIT À 1M	77 (dBA)	74 (dBA)	74 (dBA)
DU PROPANE			
PRESSION D'ALIMENTATION	Min 8" W.C - Max 13" W.C	Min 8" W.C - Max 13" W.C	Min 8" W.C - Max 13" W.C
RING BUSE (POUCES)	N. 12 Holes x 0.079"	N. 12 Holes x 0.098"	N. 12 Holes x 0.098"
APPORT DE CHALEUR (BTU / H)	250,000	400,000	400,000
PRESSION D'ADMISSION	3.64	4.01	4.01
CONSOMMATION DE CARBURANT (CFH)	85.94	141.95	141.95
ENTRÉE DE GAZ	3/4"	3/4"	3/4"
NIVEAU DE BRUIT À 1M	77 (dBA)	74 (dBA)	74 (dBA)
SPÉCIFICATIONS ÉLECTRIQUES			
ÉLEC. ALIMENTATION (VOLTS/Hz/PHASE)	120V-60HZ- 1Ø	120V-60HZ-1Ø	208V-60HZ-1Ø
AMPÈRES EN CONTINU	5.0 AMPS	9.5 AMPS	5.0 AMPS
WATTS	530 W	1000 W	1050 W
DIMENSIONS/POIDS DE LA FOURNAISE			
LONGUEUR X LARGEUR X HAUTEUR (EN)	45.1" X 23.2" X 17.4"	46.7" x 26.9" x 21.1"	46.7" x 26.9" x 21.1"
POIDS DE LA BOÎTE (LB/KG)	101LB (45.8 kg)	123 (55.7 kg)	123 (55.7 kg)

Longueur x largeur x hauteur (en)

No DE MODÈLE	SUPÉRIEUR	CÔTÉS	ENDOS	SORTIE
HS250AG	3'ft- 1M	3'ft- 1M	3'ft- 1M	10'ft- 3m
HS400AG	3'ft- 1M	3'ft- 1M	3'ft- 1M	10'ft- 3m
HS408AG	3'ft- 1M	3'ft- 1M	3'ft- 1M	10'ft- 3m

** Chauffe-eau doit pas être dirigé vers un conteneur de propane au gaz dans les 6 m (20 pieds) et les distances minimales par bouteille de gaz doit être de 3 m (10 pieds) **

PRÉCAUTIONS D'UTILISATION

Ceci est un propane ou au gaz naturel, de chauffage à air pulsé à feu direct. Il est destiné utilisation est principalement le chauffage temporaire de bâtiments en cours de construction, de modification ou de réparation.

Le générateur d'air chaud est conçu pour les moyennes et grandes de chauffage des locaux ventilés, pour lesquels un système de chauffage fixe est nécessaire.

Chauffe-est pour être exécuté sur le chauffage au gaz naturel ou au GPL selon pressions d'alimentation en gaz qui doivent être en conformité avec les lois nationales.

Chauffage est fourni après un test fonctionnel complet et il est donc prédisposé pour l'un des gaz de travail indiqué dans la spécification: une étiquette adhésive appliquée sur la vanne de sélection de gaz (a) indique le gaz choisi.

Pour changer le type de gaz, suivre les instructions détaillées indiquées dans la section "Modification TYPE DE GAZ".

Le chauffage est du type de combustion directe. L'air est chauffé par l'énergie développée lors de la combustion et ensuite transporté à l'environnement à chauffer en même temps que les produits de combustion, ce qui rend disponible 100% de la puissance thermique produite. L'environnement doit être suffisamment ventilé afin d'assurer une circulation d'air adéquate.

Dans le cas de divers dispositifs de sécurité de dysfonctionnement grave (unité de contrôle électronique de la flamme, thermostat de surchauffe, l'interrupteur de pression d'air) déclenchement d'éteindre le chauffage.

Les moniteurs de l'unité de contrôle électronique de la flamme si la flamme est irrégulière ou sort, le thermostat de sécurité se déclenche lorsque la température dans la chambre de combustion dépasse la valeur limite de sécurité, l'interrupteur de pression d'air sera coupé si le débit d'air est insuffisant.

Dans chacun de ces cas, l'unité arrête selon la procédure décrite dans "MODE D'EMPLOI".

Dans chacun de ces cas, la lampe (8) brille et le chauffe-eau cesser de travailler. Le chauffe-eau peut être redémarré en appuyant simplement sur le bouton de réinitialisation (8). Néanmoins, la cause qui a déclenché le dispositif de sécurité doit toujours être soigneusement analysé et résolu avant de redémarrer le générateur (cfr. "DEFAULTS, causes et remèdes").

PRÉCAUTIONS DE SÉCURITÉ

1. Vérifiez l'appareil de chauffage à fond pour les dommages. NE PAS faire fonctionner un appareil de chauffage endommagé.
2. NE PAS modifier le chauffage ou fonctionner un chauffe qui a été modifié depuis son état original.
3. Utilisez les types de carburant seulement pour lequel le chauffage a été certifiés.
4. Dégagements minimum aux matériaux combustibles doivent être: 1 m (3 pieds) d'un côté, plafond, plancher et à l'arrière (entrée d'air) du chauffe-eau de 3 m (10 pieds) sur la sortie de l'air de chauffage.
5. Chauffe ne doit pas être dirigé vers un conteneur de propane au gaz dans les 6 m (20 pieds) et les distances minimales par bouteille de gaz doit être de 3 m (10 pieds)
6. Ne pas installer l'appareil dans des endroits où il peut y avoir un risque d'incendie ou d'explosion
7. Tous les règlements de prévention des incendies doivent être respectées.
8. Le chauffage est conduit pas capables et ne doit pas être raccordé à tous les travaux de canalisation de distribution d'air.
9. La pièce ou un bâtiment qui est chauffé doit être suffisamment ventilé afin que le chauffage a assez d'air pour fonctionner correctement;
10. L'aspiration de l'air et / ou d'approvisionnement tuyaux ne sont pas bloquées en aucune façon, il n'y a pas de feuilles ou couvertures reposant sur la machine ou sur les murs et les objets encombrants proximité de l'appareil;
11. Le générateur est placé près d'un tableau de distribution de puissance ayant des spécifications conformes à ceux déclarés;
12. L'appareil est placé dans une position fixe;
13. Le générateur est régulièrement surveillée pendant le fonctionnement et vérifié avant d'être mis en marche;
14. Ne laissez pas les animaux ou les enfants à proximité de l'appareil de chauffage.
15. Assurez-vous de chauffage est inspecté avant chaque utilisation, et au moins annuellement par une personne qualifiée.
16. Après utilisation, vérifiez le sectionneur est éteint.
17. Lors de l'utilisation de tout type de chauffe, il est obligatoire: ne pas dépasser le niveau maximal de production de chaleur du four (le «tableau des spécifications»);
18. Assurez-vous qu'il ya une circulation d'air adéquate et alimentation en air de l'appareil de chauffage et que rien ne fait obstacle à l'aspiration et l'expulsion de l'air; mouvement de l'air peut être obstrué de diverses manières, y compris la mise couvertures ou d'autres objets sur le chauffage ou le positionnement de l'appareil de chauffage trop près d'un mur ou tout autre objet volumineux. Si la circulation d'air est suffisante, la chambre de combustion va surchauffer et le thermostat de surchauffe éteindre le brûleur
19. Utilisez uniquement l'alimentation électrique spécifiée. Le raccordement électrique et de mise à la terre doivent être conformes au Code national de l'électricité - ANSI / NFPA 70 (Etats-Unis) et CSA C22.1 Code canadien de l'électricité, Partie 1 (Canada).
20. Utiliser uniquement conformément aux codes locaux ou, en l'absence de codes locaux, à la norme pour le stockage et la manipulation des gaz de pétrole liquéfiés ANSI / NFPA 54 et CSA B149.1, gaz naturel et propane Code d'installation.

INSTALLATION

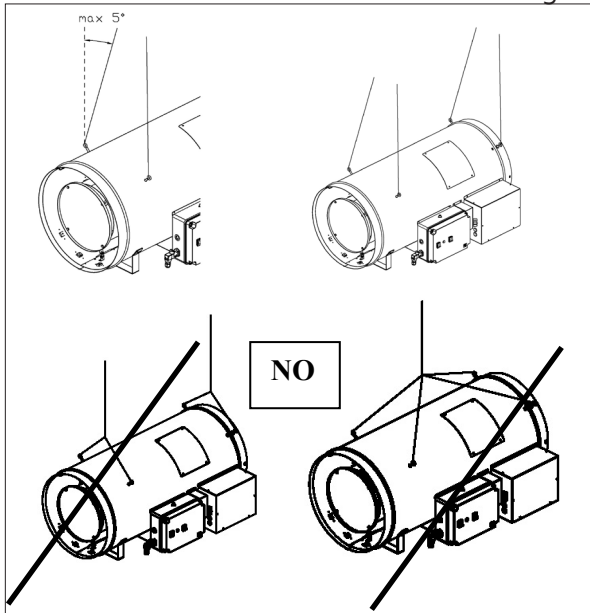
Toutes les opérations décrites dans ce paragraphe doivent être effectuées uniquement par du personnel professionnels et qualifiés.

Un robinet de gaz manuel approuvé doit être fourni par l'installateur.

Le radiateur peut être installé suspendu au plafond ou au sommet d'une base de soutien.

Ceiling Mount (figure 1) - Ces appareils incluent un support de boulon yeux crochets. Il peut être suspendu au plafond avec une chaîne ou une corde de la capacité de charge et de la longueur métallique. Utilisez les anneaux de l'usine em

Fig. 1

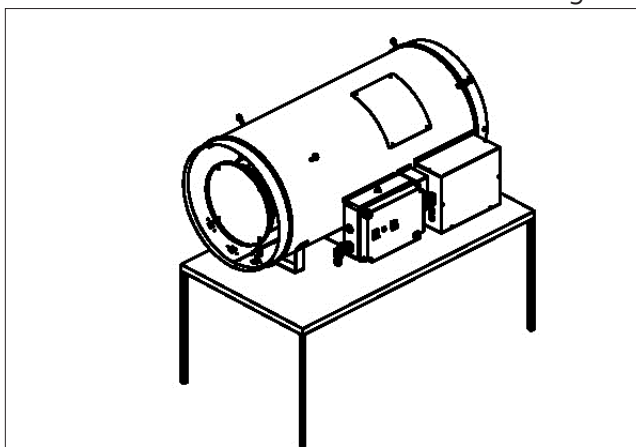


ballés attachent aux quatre points de suspension. L'appareil de chauffage peut être installé sur une base de support

(Fig. 2), qui doit être:

- Stable, horizontal, plus large en bas que la longueur et la largeur de chauffage.
- Fait de matériau incombustible
- Capable de tenir 150 lbs.

Fig. 2



⚠ Attention:

S'assurer que les élingues et/ou les chaînes forment un angle maximum de 5° avec la verticale au plafond, que les élingues ne s'entrecroisent pas et qu'une élingue différente est utilisée pour chaque crochet.

⚠ Attention:

En cas d'installation dans des serres, une ventilation mécanique doit être enclenché à l'opération de chauffage ou des ouvertures permanentes doit être fixé pour l'air de ventilation.

RACCORDEMENT ÉLECTRIQUE

⚠ Attention:

L'appareil est équipé d'un câble d'alimentation temporaire, utilisé pour le test de contrôle final en usine.

⚠ Attention:

Le cordon d'alimentation temporaire doit être enlevé et remplacé par un cordon d'alimentation approprié dont le type et la dimension doit être en conformité avec les règles nationales.

⚠ Attention:

La ligne d'alimentation du générateur doit figurer un conducteur de terre et d'un disjoncteur de courant résiduel. Le câble d'alimentation doit être connecté à un standard avec sectionnement commutateur.

⚠ Attention:

Lors de l'installation, l'appareil doit être relié à la terre dans le respect des réglementations locales ou, à défaut, de la réglementation électrique nationale ANSI / NFPA 70 et/ou de la CSA C22.1, Canadian Electrical Code, en cas d'utilisation d'une source électrique extérieure.

Seulement pour les modèles 120 V, le câble d'alimentation électrique doit être raccordé conformément à la polarité indiquée sur le bornier principal du panneau électrique: phase (L) et neutre (N).

⚠ Attention:

Seulement pour les modèles 120 V, si les polarités L et N sont incorrects, le radiateur peut arrêter quelques secondes après il est allumé pour la première fois.

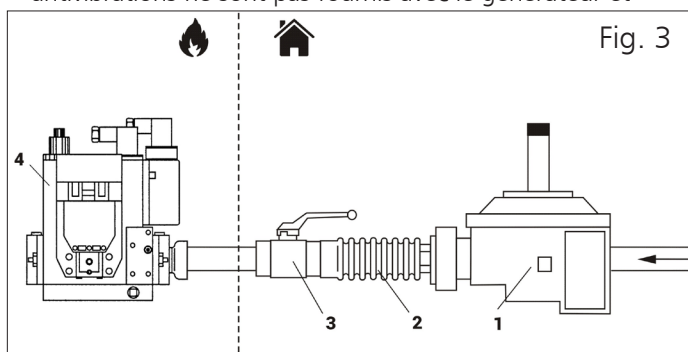
Si un thermostat d'ambiance ou autres accessoires sont reliés au système (tel que la minuterie par exemple) cela doit être fait en connectant le câble électrique à la prise du thermostat (10):

- Prenez le bouchon (c) sur le tableau de distribution de puissance, l'ouvrir et retirez le cavalier électrique entre les bornes 2 et 3 de la fiche.
- Branchez le câble électrique du thermostat aux bornes 2 et 3 de la fiche du thermostat (c);
- Fermez le bouchon encore et rebranchez-le dans le tableau de puissance.

Après avoir effectué toutes ces opérations, vérifiez soigneusement que toutes les connexions électriques correspondent au schéma de câblage. Lors de la première mise en marche du radiateur, vous devez vérifier que le ventilateur n'utilise pas plus de courant que la limite maximale autorisée.

RACCORDEMENT AU GAZ LINE

Le branchement au conduit d'alimentation du gaz doit avoir des dimensions adéquates et correspondantes au type d'installation à effectuer et il doit être exécuté en réalisant la "rampe de gaz" comme illustré sur la Fig. 3 : tuyau de gaz, robinet d'arrêt et manchon de couplage antivibrations ne sont pas fournis avec le générateur et



- 1: Filtre-régulateur de pression ou filtre
 2: Joint anti-vibrations
 3: Vanne d'arrêt
 4: rampe de gaz

En cas de raccordement du générateur au gaz naturel, l'installation doit être conforme aux réglementations locales ou, à défaut, au National Fuel Gas Code ANSI Z223.1/NFPA 54 et au Natural Gas and Propane installation Code CSAB149.1

In case of connection to a propane supply cylinder:

- L'installation doit être conforme aux réglementations locales ou, à défaut, au Standard for the Storage and Handling of Liquefied Petroleum Gases, ANSI/NFPA 58 et au Natural Gas and Propane Installation Code, CSA B149.1
- Pour déterminer la taille et la capacité de la/des bouteille (s) et pour toutes les exigences spécifiques, consulter le fournisseur de GPL. Dans tous les cas, la contenance de la bouteille de propane ne doit pas être inférieure à 90 litres (100 lb).
- Le système d'approvisionnement par bouteille doit être conçu pour assurer le retrait de vapeur de la bouteille utilisée
- La vanne d'arrêt de gaz de la cuve doit être fermée lorsque le générateur d'air chaud n'est pas utilisé ;
- Si le générateur d'air chaud est stocké à l'intérieur d'un local, il doit être débranché de la cuve de gaz

; le récipient contenant le gaz doit être conforme aux prescriptions des "Standard for the Storage and Handling of Liquefied Petroleum Gases" ANSI/NFPA 58 et au "Natural Gas and Propane Installation Code" CSA B 149.1.

L'appareil et son robinet d'arrêt doivent être débranchés du système d'alimentation de gaz en cas de test de pression du système à des pressions supérieures à 1/2 psi (3,5 kPa.)

L'appareil doit être isolé du système d'alimentation en gaz en fermant son robinet d'arrêt manuel pendant tout le test de pression du système d'alimentation en gaz à des pressions égales ou inférieures à 1/2 psi (3,5 kPa.)

Un bouchon taraudé de 1/8 NPT minimum, destiné à la connexion du manomètre de test, doit être installé immédiatement en amont de la connexion d'alimentation en gaz de l'appareil.

Le générateur PHOEN N est fourni après un test de fonctionnement complet et il est donc prédisposé pour l'un des gaz (naturel ou GPL) indiqué dans le Specification: L'étiquette adhésive collée sur la soupape principale du gaz indique la catégorie de gaz (Fig. 3) (généralement gaz naturel). Si l'alimentation se fait avec un autre type de gaz (de gaz naturel à GPL et inversement) suivre scrupuleusement les instructions du paragraphe "Conversion de Combustible"

Ce n'est qu'après avoir réglé le générateur conformément aux indications de la catégorie de service effective qu'il sera possible de continuer et d'exécuter les opérations suivantes :

- Purger le tuyau d'alimentation de gaz ;
- Contrôler l'étanchéité du tuyau de gaz ;
- Ouvrir la vanne d'arrêt du gaz et démarrer le générateur d'air chaud.

Pour l'installation aux Etats-Unis, à une altitude supérieure à 610m (2.000 pieds) la puissance de l'appareil devra être réduite de 4% pour chaque palier supplémentaire de 305 m (1.000 pieds).

Pour l'installation au Canada, à une altitude supérieure à 610 m (2.000 pieds) et jusqu'à 1.372 m (4.500 pieds), la puissance du générateur doit être diminuée en réduisant l'arrivée de carburant en conformité à la pression du collecteur indiquée sur la plaquette.

MODE D'EMPLOI

⚠ Attention

Chaque fois que le cordon d'alimentation de la chauffe est connecté à une prise vérifier la polarité de l'alimentation:

- Vérifiez l'interrupteur (9) et (13) sont sur "0" (voir Fig. 5)

- Branchez la prise de réceptacle
- Si la lampe (n° 14. La figure 5) allume, puis l'inversion de polarité

Attention

Si la correspondance de phase / neutre polarité est pas correcte, l'unité peut arrêter dans le mode de réinitialisation.

TABLEAU DE COMMANDE

- 1 CHAMBRE DE COMBUSTION
- 2 BRÛLEUR
- 3 BAGUE DIFFUSEUR
- 4 PARE-FLAMME
- 5 VENTILATEUR REFROIDISSEMENT
- 6 IONISATION ELECTRODE
- 7 IGNITION ELECTRODE

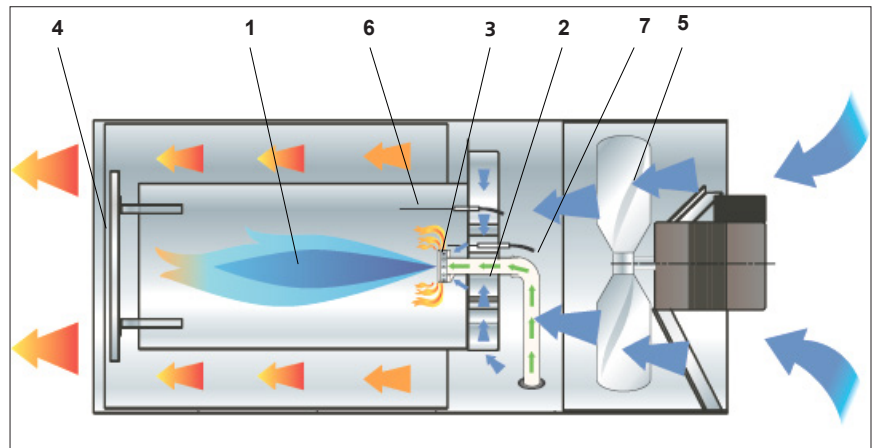


FIG. 4

- 8 BOUTON RÉARMEMENT DU CONTRÔLE FLAMME
- 9 INTERRUPTEUR DE CHAUFFAGE
- 10 PRISE THERMOSTAT D'AMBIANCE
- 11 VOYANT DE MISE SOUS TENSION
- 12 TEMOIN SECURITE DE SURCHAUFFE
- 13 INTERRUPTEUR MODE VENTILATION
- 14 BOUTON RÉARMEMENT DU THERMOSTAT DE SÉCURITÉ
- 15 CABLE FASTENER FOR POWER CORD

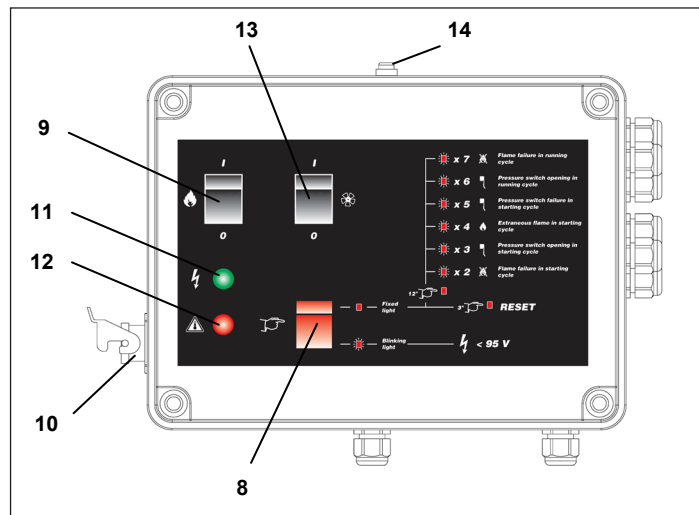


FIG. 5

ENSEMBLE COLLECTEUR

- a VALVE CO UPURE CO MBUSTION
- b PORT PRESSION COLLECTEUR (COLLECTEUR
- c RÉGULATE PRUR ESSI CON COLLECTEUR
- d SOUPAPE PRINCIPALE GAZ

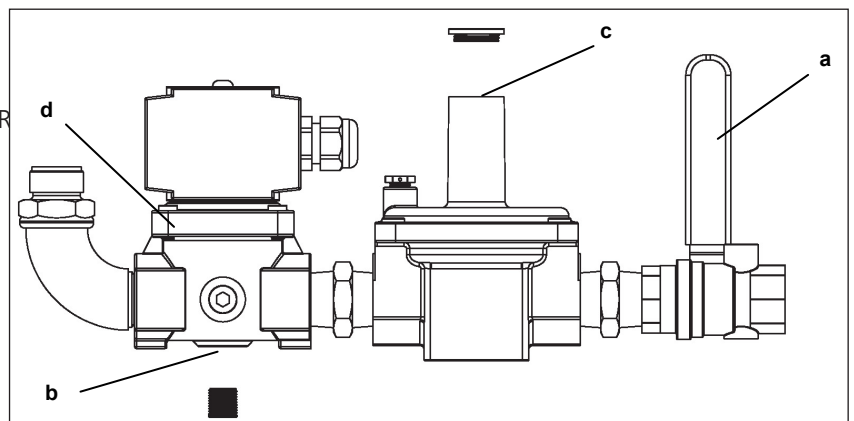


FIG. 6

MODE DE CHAUFFAGE

Allumer:

- Vérifier que l'interrupteur (#9 FIG. 5) est bien sur la position "0"
- Alimenter l'appareil en agissant sur l'interrupteur général du coffret électrique d'alimentation;
- Si l'appareil est actionné manuellement (sans thermostat ni autre dispositif de contrôle) placer l'interrupteur (9) sur la position "1". Le brûleur démarre, la chambre de combustion chauffe et le ventilateur se met en marche.
- Si l'appareil fonctionne en mode automatique (connexion à un thermostat ou tout autre dispositif de contrôle), placer l'interrupteur (9) sur la position "1" et régler le thermostat d'ambiance sur la température désirée : le chauffage s'allumera et s'éteindra automatiquement.
- Si après ces opérations, le générateur ne fonctionne pas, reportez-vous à la "DEFAULTS, causes et remèdes" paragraphe et trouver la cause.

Réglage du mode post-ventilation:

Avec le commutateur (#13 FIG. 5) sur le tableau de contrôle, sélectionner le mode post-ventilation ; c'est le temps pendant lequel le ventilateur continue de fonctionner après l'arrêt du générateur.

- lorsque l'interrupteur (#13 FIG. 5) est sur la position "0", la postventilation dure 30 secondes.
- lorsque l'interrupteur (#13 FIG. 5) est sur la position "1", la postventilation est continue.

Arrêt:

⚠ En fonctionnement manuel, placer l'interrupteur (9) sur "0" ou tourner le bouton de commande du thermostat sur "off".

Après avoir éteint le générateur d'air chaud, la post-ventilation se poursuit pendant le temps programmé

Attention:

Fermer le robinet d'alimentation du gaz, le robinet d'arrêt (f) et éteindre l'interrupteur de sectionnement (Fig. 5).

VENTILATION

Pour obtenir la fonction ventilation uniquement, contrôler que l'interrupteur (9) est sur "0" et placer l'interrupteur (13) sur la position "1". Pour l'arrêter, placer l'interrupteur (13) sur la position "0".

⚠ Attention

Quel que soit la raison, l'unité essaiera de redémarrer une fois. Si la cause du dysfonctionnement continue, le générateur s'arrêtera définitivement et la voyant (8) s'allumera.

Le générateur ne pourra être redémarré qu'en appuyant sur le bouton de réinitialisation (8.) Néanmoins, la cause

du déclenchement du dispositif de sécurité doit toujours être soigneusement analysée et résolue avant de redémarrer le générateur (cf. ANOMALIES –CAUSES – SOLUTIONS.)

TRANSPORT ET MANUTENTION:

⚠ Attention

Avant tout déplacement :

- **Arrêter le générateur en suivant les consignes fournies au paragraphe "ARRÊT";**
- **Débrancher l'alimentation électrique en retirant la fiche de la prise ;**
- **Dévisser complètement le raccord qui relie le tuyau du gaz au générateur ;Attendre que le générateur soit froid.**

ENTRETIEN

Pour réguler le fonctionnement de l'unité, les fans, la chambre de combustion et le brûleur doit être au moins annuellement inspecté et nettoyé périodiquement par une personne qualifiée.

⚠ Attention

Avant d'effectuer toute opération de maintenance:

- **Arrêter la machine comme indiqué dans le paragraphe "STOP";**
- **Dégagez l'alimentation électrique en retirant la fiche de la prise de courant;**
- **Fermez l'arrêt de l'approvisionnement en gaz marche / arrêt et la vanne d'arrêt (f);**
- **Attendez que le chauffe-eau refroidir.**

Pendant le nettoyage des corps étrangers doivent être retirés de la grille ventilateur d'aspiration. Pour accéder au brûleur, retirer le panneau de protection de flamme (4) en enlevant les quatre vis et nettoyez soigneusement l'intérieur de la chambre de combustion et l'ensemble de la tête du brûleur: tous les débris sera ôté.

⚠ Attention

Ne pas diriger des jets d'air comprimé vers les points de pression de l'air près du ventilateur principal: l'interrupteur de pression d'air pourrait être endommagé de façon permanente.

Nettoyage du brûleur doit être effectué régulièrement par personne qualifiée. Pour accéder au brûleur, retirer le panneau de protection de la flamme de la chambre de combustion (face avant) et nettoyez soigneusement l'intérieur de la chambre de combustion et de la tête et des électrodes du brûleur ensemble.

Ce chauffe-eau peut être lavé, à condition que:

- A. Le chauffage est déconnectée de l'alimentation électrique.
 - B. Tous les panneaux d'accès sont bien fermés.
 - C. Buse de pulvérisation eau ne doit pas décharger dans les 6 pieds de l'appareil de chauffage.
 - D. Le chauffage est pas reconnecté à l'alimentation électrique jusqu'à ce que complètement séché.
- Un mauvais nettoyage de l'appareil de chauffage peut causer des blessures graves ou des dommages à la propriété grâce à des solutions d'eau et / ou de nettoyage:

- A. dans les composants électriques, les connexions et filcausing chocs électriques ou défaillance d'un composant.
- B. Sur les composants de commande de gaz provoquant de la corrosion qui peut entraîner des fuites de gaz et incendie ou une explosion de la fuite. Le flexible doit être protégé de la circulation, les matériaux et le contact avec des surfaces chaudes pendant l'utilisation Et tandis que dans le bâtiment d'entreposage.

⚠ Attention

Après le nettoyage, la garde bouclier de flamme doit être vissée en place avant de faire fonctionner chauffe.

Emploi du réservoir sans la garde bouclier de flamme peut résulter en une combustion produisant CO (monoxyde de carbone) qui peuvent présenter un danger pour les personnes exposées à ce à cet environnement.

Conversion de Carburant

⚠ ATTENTION:

LA CONVERSION DOIT ÊTRE EXÉCUTÉE PAR UN REPRÉSENTANT AGRÉÉ DU FABRICANT, CONFORMÉMENT AUX EXIGENCES DU FABRICANT, DES AUTORITÉS PROVINCIALES OU TERRITORIALES COMPÉTENTES ET AUX EXIGENCES DE LA RÉGLEMENTATION D'INSTALLATION CAN/CGAB149.1 OU CAN/CGAB149.2

Une plaquette de conversion doit être apposée près de l'étiquette des caractéristiques:

Cet appareil a été converti pour être utilisé	
A une altitude de _____ PIEDS (CI-DESSUS 2000 pieds)	
Orifice size:	_____
Manifold pressure:	_____
Input rate:	_____
Date of conversion:	_____
Type of fuel:	_____
Converted by:	_____







Cette commutation peut être effectuée plusieurs fois au cours de la vie de la machine et pas uniquement à la première mise en marche. Commencer par contrôler le SPECIFICATIONS repérer la catégorie de référence pour gaz naturel ou gaz liquide en fonction du pays d'utilisation de l'appareil. Pour chaque catégorie sont indiquées la pression d'alimentation, la pression de service, et le réglage de labague diffuseur (#3 FIG. 4) are stated.

Pour convertir d'un type de gaz à un autre, procédez comme suit:

- Si cela est indiqué dans les spécifications, changer l'anneau de diffusion (n ° 3 figure 4.):
- Retirez la partie supérieure du corps de l'élément chauffant;
- Dévissez et retirez l'électrode d'ionisation (n 6. La figure 4)
- Desserrer les vis qui fixent la tête de combustion (3) à la chambre de combustion (n ° 1 figure. 4)

- Retirez les trois vis sur la plaque de la tête du brûleur et changer l'anneau de diffusion de fixation d'une manière telle que l'électrode d'allumage est à égale distance entre les deux trous suivants;
- Calibrer l'interrupteur de pression de gaz sur le groupe de la vanne gaz (# 4 Fig.3):
- Régler le commutateur de pression du gaz à une valeur égale à 80% de la pression d'alimentation;
- Régler le régulateur de pression pour le groupe de la vanne de gaz (figure 3); à la pression du brûleur indiquée dans les spécifications.
- Raccorder un manomètre à la prise de pression (1) en amont et une seconde jauge à la prise de pression en aval (2) du groupe de soupapes;
- Lancer le chauffage et prendre la lecture au large de la 1ère jauge de pression d'alimentation et si nécessaire, ajuster le régulateur de pression (. N ° 3 figure 6) pour le système d'alimentation de gaz jusqu'à ce que la pression d'alimentation correcte indiquée dans les spécifications est atteint.
- Prenez une lecture large de la 2e manomètre de travail et si nécessaire utiliser un tournevis pour ajuster la pression du groupe de la vanne de gaz (n ° 4. La figure 3) pour rétablir la pression de service indiquée dans les spécifications.
- Appliquer l'étiquette adhésive avec les mots "mis en place pour ..." correspondant au type de carburant et la catégorie choisie sur le groupe de la vanne gaz

DÉPANNAGE

ANOMALIE DE FONCTIONNEMENT	CAUSE	SOLUTIONS
L'appareil ne démarre pas: Lamp  is off	Manque d'alimentation électrique	<ul style="list-style-type: none"> • Vérifier le fonctionnement et la position de l'interrupteur • Vérifier les caractéristiques du réseau électrique • Vérifier les branchements électriques • Vérifier que le fusible est intact
L'appareil ne démarre pas: le témoin  est allumé	Mauvaise position de l'interrupteur (9)	Placer l'interrupteur sur la position correcte
	Fonctionnement irrégulier du thermostat d'ambiance	<ul style="list-style-type: none"> • Vérifier que la fiche de connexion du thermostat est bien branchée • Vérifier le raccordement électrique du thermostat • Vérifier la programmation du thermostat et la modifier • Vérifier le fonctionnement du thermostat
	Gas pressure switch tripped due to no gas or insufficient pressure	<ul style="list-style-type: none"> • Check that gas feed pipe has been bled • Check gas feed pressure
L'appareil fonctionne de manière irrégulière et le brûleur s'allume/s'éteint alternativement:	Débit de gaz insuffisante	<ul style="list-style-type: none"> • Vérifier et nettoyer le filtre à gaz • Procéder au nettoyage et à un nouvel étalonnage du brûleur
L'appareil ne fonctionne pas : le témoin  sont allumé	Intervention du contrôle de tension pour cause d'alimentation électrique insuffisante (V < 95V)	<ul style="list-style-type: none"> • Dès que la valeur de tension correcte est rétablie (V > 95V), le générateur redémarre automatiquement • Si le générateur démarre et s'arrête à plusieurs reprises, contrôler la ligne d'alimentation électrique • Si le générateur ne démarre pas et demeure à l'état de blocage, contrôler la ligne d'alimentation électrique
Le chauffe-eau ne fonctionne pas: le témoin  et  sont allumé	Manual reset safety thermostat has tripped due to excessive overheating of combustion chamber	<ul style="list-style-type: none"> • Vérifier que le moteur du ventilateur démarre régulièrement et n'est pas bloqué • Vérifier que le moteur du ventilateur n'est pas grillé et que son condensateur n'est pas défectueux • Vérifier l'étalonnage du brûleur
L'appareil ne fonctionne pas: le témoin  est allumé fixe	<p>LANCER LA PROCEDURE D'AUTODIAGNOSTIC APPUYER SUR LE BOUTON (8) PENDANT 12 SECONDES, PUIS LE RELACHER : LE TMOIN DU BOUTON CLIGNOTE (2 A 7 CLIGNOTEMENTS)</p>	
Nombre de clignotements du témoin (8)	2	Pas de flamme pendant le cycle de démarrage <ul style="list-style-type: none"> • Vérifier la pression du gaz vers le brûleur • Vérifier et nettoyer le filtre à gaz • Vérifier que la sonde de ionisation ne décharge pas vers la terre • Vérifier les câbles de raccordement de la sonde de ionisation (ils ne doivent pas décharger à la terre)
	3	Intervention du pressostat d'air (pas de fermeture du contact électrique) au début du cycle de démarrage <ul style="list-style-type: none"> • Vérifier le raccordement des tuyaux du pressostat • Contrôler le pressostat et le remplacer si nécessaire
	4	Détection de flamme parasite lors de la phase de pré-lavage pendant le cycle de démarrage <ul style="list-style-type: none"> • Vérifier l'absence de poches de gaz dans la chambre de combustion • Vérifier que la sonde de ionisation ne décharge pas vers la terre • Vérifier les câbles de raccordement de la sonde de ionisation (ils ne doivent pas décharger à la terre)
	5	Intervention du pressostat d'air (ouverture du contact électrique) pendant le cycle de démarrage <ul style="list-style-type: none"> • Vérifier le raccordement des tuyaux du pressostat • Vérifier que le moteur et le ventilateur du brûleur ne sont pas bloqués ou défectueux ; si nécessaire, les remplacer • Contrôler le pressostat et le remplacer si nécessaire

DÉPANNAGE

ANOMALIE DE FONCTIONNEMENT	CAUSE		SOLUTIONS
Nombre de clignotements du témoin (8)	6	Intervention du pressostat d'air (ouverture du contact électrique) pendant le cycle de fonctionnement	<ul style="list-style-type: none"> • Vérifier le raccordement des tuyaux du pressostat • Vérifier que le moteur et le ventilateur du brûleur ne sont pas bloqués ou défectueux ; si nécessaire, les remplacer • Contrôler le pressostat et le remplacer si nécessaire
	7	Pas de flamme pendant le cycle de fonctionnement	<ul style="list-style-type: none"> • Vérifier la pression du gaz vers le brûleur • Vérifier et nettoyer le filtre à gaz • Vérifier que la sonde de ionisation ne décharge pas vers la terre • Vérifier les câbles de raccordement de la sonde de ionisation (ils ne doivent pas décharger à la terre)
Le ventilateur est bruyant ou produit des vibrations	Des corps étrangers se trouvent sur les pales du ventilateur		<ul style="list-style-type: none"> • Retirer les corps étrangers
	La circulation d'air est insuffisante		<ul style="list-style-type: none"> • Supprimer tous les obstacles pouvant gêner le passage de l'air
Chauffage insuffisant	Capacité insuffisante du brûleur		<ul style="list-style-type: none"> • Contacter l'Assistance technique

En cas de grave anomalie, l'équipement électronique entraînera le blocage de sécurité du générateur d'air chaud et le témoin (8) s'allumera en rouge fixe (signalisation de blocage).

⚠ Attention

Après un blocage de sécurité, il est nécessaire d'appuyer sur le bouton réarmement (8) pendant 3 secondes pour faire redémarrer le générateur

⚠ Attention

Ne jamais effectuer plus de deux redémarrages consécutifs : le fuel imbrûlé peut s'accumuler dans la chambre de combustion et s'enflammer soudainement lors de la deuxième mise en marche.

En cas de blocage de sécurité, appuyer sur le bouton de réarmement (8) pendant au moins 12 secondes pour lancer un programme d'autodiagnostic au terme duquel le témoin du bouton clignotera avec une fréquence plus ou moins élevée (signalisation d'autodiagnostic) en fonction du type d'intervention de sécurité : le schéma synoptique reproduit sur l'armoire électrique résume les cas possibles .

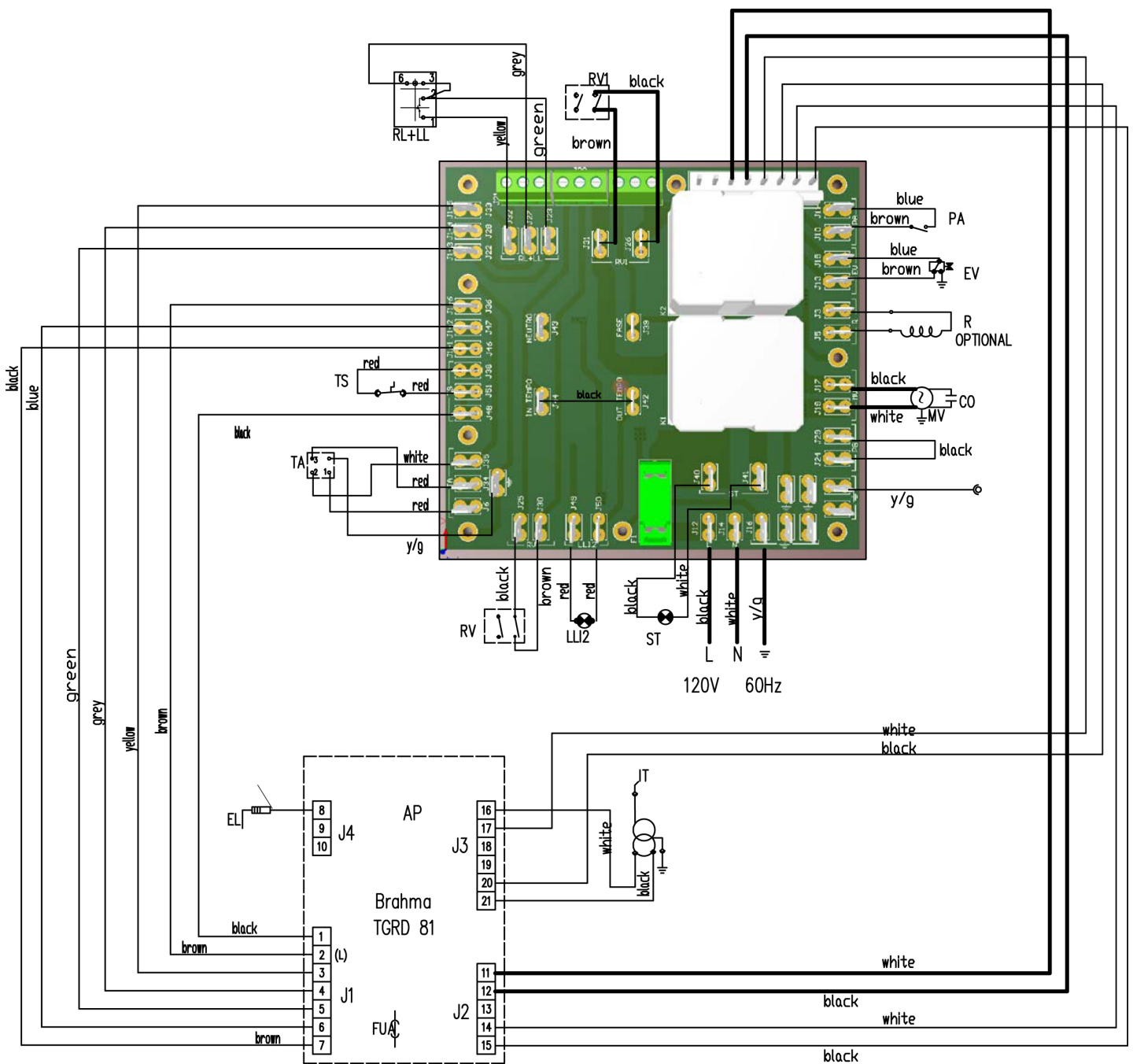
En cas de surchauffe excessive de la chambre de combustion, le thermostat de sécurité (14) intervient en mettant le brûleur hors tension; dans ce cas, le témoin (8) s'allume : pour réarmer, éteindre complètement le générateur, couper l'alimentation électrique, et appuyer sur le bouton (14).

⚠ Attention

Toujours localiser et éliminer la cause de l'intervention du blocage de sécurité avant d'appuyer sur le bouton de réarmement (8) ou sur le bouton (14) et de remettre le générateur en marche.

Si malgré les contrôles et les remèdes décrits la cause du dysfonctionnement n'a pas été trouvée, contacter le centre d'assistance agréé le plus proche.

SCHÉMA



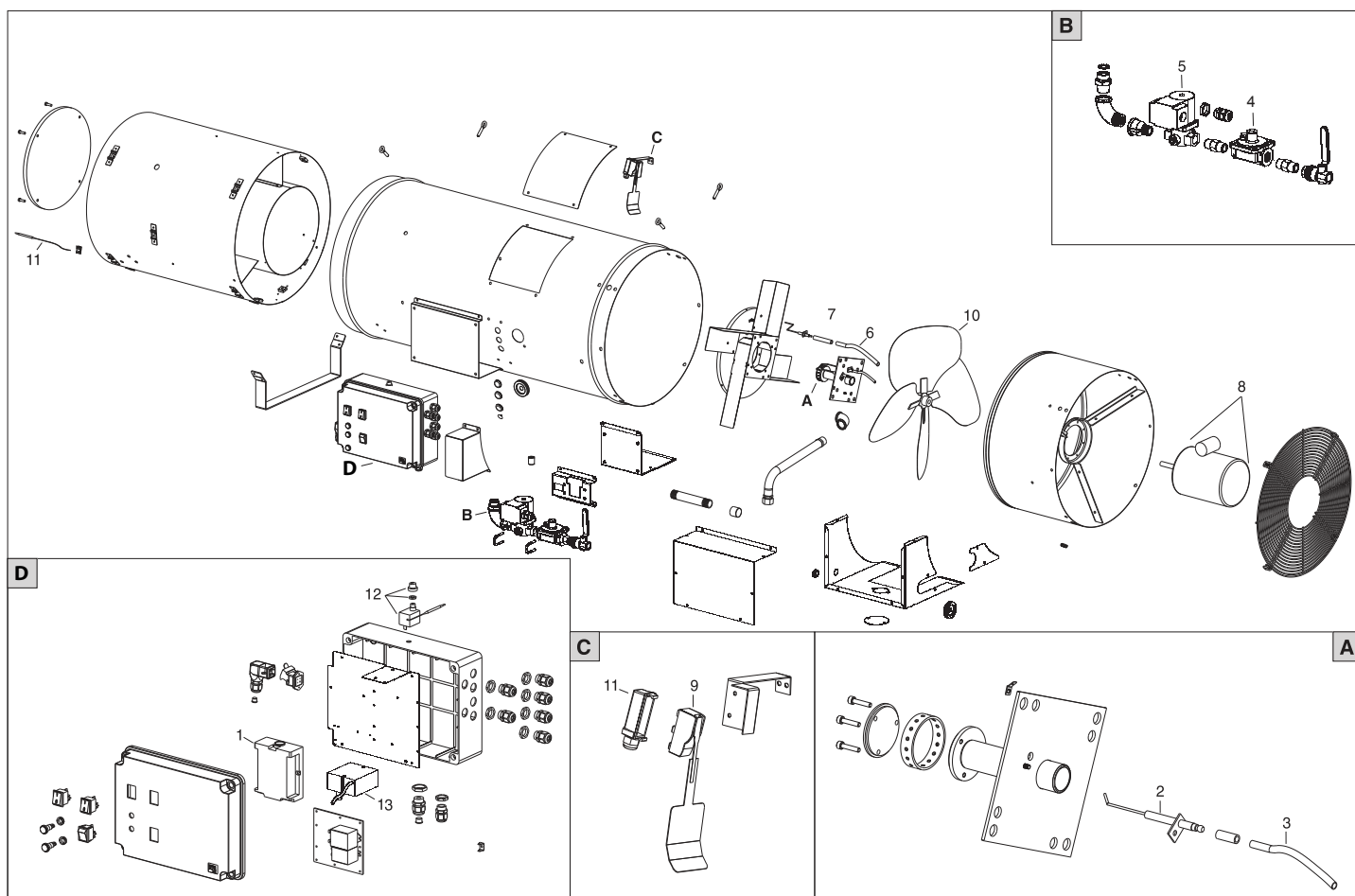
AP COFFRET DE SECURITE
 TA PRISE THERMOSTAT D'AMBIANCE
 ST VOYANT DE CONTRÔLE
 FU FUSIBLE
 EV CONDUIT GAZ
 CO CONDENSATEUR
 MV REFROIDISSEMENT MOTEUR
 FUA FUSIBLE
 RV INTERRUPTEUR DE CHAUFFAGE

IT TRANSFORMATEUR H.T.
 PA PRESSOSTAT AIR
 EL ÉLECTRODE D'IONISATION
 RV1 INTERRUPTEUR MODE VENTILATION
 TS THERMOSTAT DE SECURITE A REARMEMENT
 MANUEL
 LLI2 LOCK OUT INDICATOR LIGHT
 RL BOUTON REARMEMENT
 LLI2 OVERHEAT THERMOSTATS CONTROL LAMP

LISTE DES PIÈCES ET SCHÉMA

Model 250AG

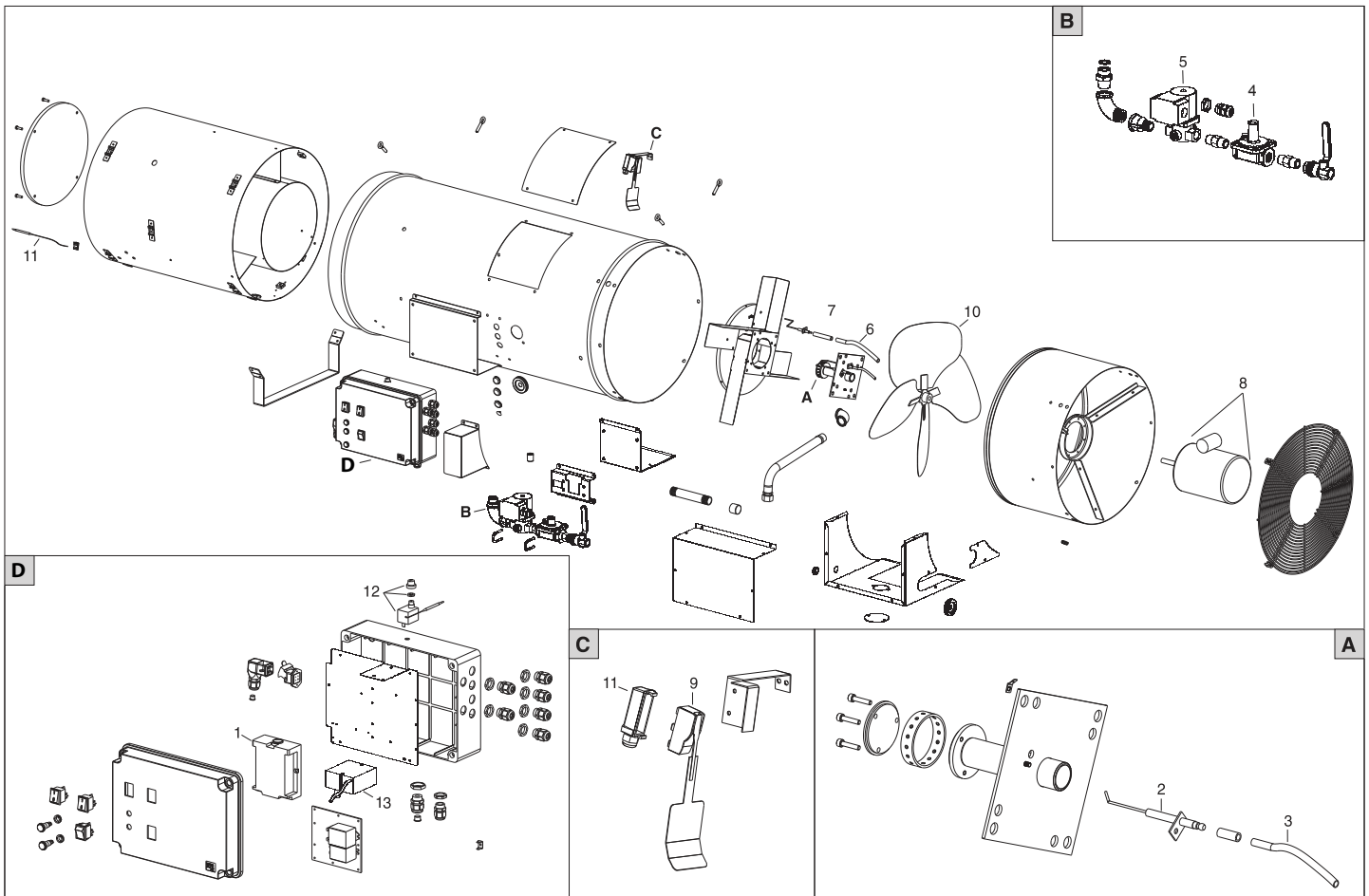
#	P/N	DESCRIPTION DES PIÈCES	QTY	#	P/N	DESCRIPTION DES PIÈCES	QTY
1	50330	Tableau de contrôle	2	9	50746	Interrupteur de pression	
2	50735	Électrode	1	10	50747	Hélice	
3	50736	électrode câble	1	11	50749	Presse de protection. Interrupteur	
4	50738	Régulateur de gaz	1	12	50349	Thermostat	
5	50740	Train à gaz	1	13	50329	Transformateur	
6	50741	Ioniz. Câble	1		40251	Kit de conversion LP en GN (non illustré)	
7	50742	Ioniz. Sonde	1		40252	Kit de conversion GN en LP (non illustré)	
8	50743	Moteur	1				



LISTE DES PIÈCES ET SCHÉMA

Model 400AG & 408AG

#	P/N	DESCRIPTION DES PIÈCES	QTY	#	P/N	DESCRIPTION DES PIÈCES	QTY
1	50330	Tableau de contrôle	2	8	50745	Moteur	
2	50735	Électrode	1	9	50746	Interrupteur de pression	
3	50736	électrode câble	1	10	50748	Hélice	
4	50737	Régulateur de gaz	1	11	50749	Presse de protection. Interrupteur	
5	50739	Train à gaz	1	12	50349	Thermostat	
6	50741	Ioniz. Câble	1	13	50329	Transformateur	
7	50742	Ioniz. Sonde	1	*13	50750	Transf. 220/110 ** (seulement pour le modèle 408AG) **	
8	50744	Moteur			40253	Kit de conversion GN en LP (non illustré)	





INSTRUCTIONS D'UTILISATION ET MANUEL DU PROPRIÉTAIRE

No de modèle

HS250AG

HS400AG

HS408AG

VEUILLEZ LIRE ATTENTIVEMENT LES INSTRUCTIONS : Lire et observer toutes les instructions. Conserver ces instructions dans un endroit sécuritaire pour vous y référer ultérieurement. Interdisez à quiconque n'ayant pas lu les présentes instructions d'assembler, d'allumer, de régler ou de faire fonctionner cette fournaise.

AVERTISSEMENT :

N'UTILISEZ QUE LES PIÈCES DE REMPLACEMENT DU FABRICANT. L'UTILISATION D'AUTRES PIÈCES RISQUE DE CAUSER DES BLESSURES ET LA MORT. LES PIÈCES DE REMPLACEMENT NE SONT OFFERTES QUE PAR LE FABRICANT ET DOIVENT ÊTRE INSTALLÉES PAR UNE ENTREPRISE DE SERVICE SPÉCIALISÉE.

INFORMATION SUR LA COMMANDE DES PIÈCES :

ACHAT : On peut se procurer des accessoires auprès de tous les détaillants locaux HEATSTAR ou directement de l'usine.

POUR OBTENIR DES INFORMATIONS SUR LE SERVICE

Veillez appeler la ligne sans frais 866-447-2194 • HEATSTARBYENERCO.COM

Nos heures de bureau sont de 08:00 à 17 h, fuseau horaire de l'est, du lundi au vendredi.

Veillez inclure le numéro du modèle, la date d'achat et la description du problème lors de toute communication.

GARANTIE LIMITÉE

L'entreprise garantit que ce produit est exempt d'imperfections dans le matériel ou la main-d'œuvre, sous une utilisation normale et adéquate selon les directives de l'entreprise, pour une période d'un an à partir de la date de livraison à l'acheteur. L'entreprise, à son option, réparera ou remplacera les produits retournés par l'acheteur à l'usine, le transport prépayé à l'intérieur de ladite période d'un an, et trouvés par l'entreprise comme ayant des imperfections dans le matériau ou la main-d'œuvre.

Si une pièce est endommagée ou manquante, appelez notre Service de soutien technique au 866 447-2194.

Envoyez toute demande suite à la garantie au Service d'entretien et réparations, HEAT STAR Group, Inc., 4560 W. 160th St., Cleveland, Ohio 44135, États-Unis Incluez votre nom, adresse et numéro de téléphone ainsi que les détails concernant la revendication. De plus, fournissez-nous la date d'achat et le nom et l'adresse du fournisseur de qui vous avez acheté notre produit.

Ce qui précède est la pleine étendue de la responsabilité de l'entreprise. Il n'existe aucune autre garantie, expresse ou implicite. Spécifiquement, il n'existe aucune garantie d'adaptabilité à une fin en particulier et aucune garantie de marchandabilité. En aucun cas l'entreprise doit être responsable des délais provoqués par les imperfections, des dommages de conséquence ou pour tout frais des dépenses de quelque nature encourues sans son consentement par écrit. Le coût de la réparation ou du remplacement doit être la solution exclusive pour tout bris de la garantie. Il n'existe aucune garantie contre le non-respect de celle-ci et aucune garantie implicite découlant du cours de la transaction ou de l'usage commercial. Cette garantie ne s'appliquera pas à tout produit qui a été réparé ou modifié hors de l'usine de quelque façon qui, selon nous, affecte sa condition ou son opération.

Certains États ou certaines provinces n'autorisent ni l'exclusion ni la restriction des dommages accessoires ou consécutifs, par conséquent, les restrictions ou exclusions précédentes peuvent ne pas s'appliquer à votre cas. La présente garantie vous donne des garanties juridiques particulières et vous pouvez également jouir d'autres droits qui varient d'une province ou d'un État à l'autre.

HEAT STAR Group, Inc. se réserve le droit de faire des changements à tout moment, sans préavis ni obligation, pour les couleurs, les spécifications, les accessoires, les matériaux et les modèles.

ENREGISTREMENT DU PRODUIT : Nous vous remercions de votre achat.

Veillez vous connecter à HEATSTARBYENERCO.COM pour enregistrer votre produit.

