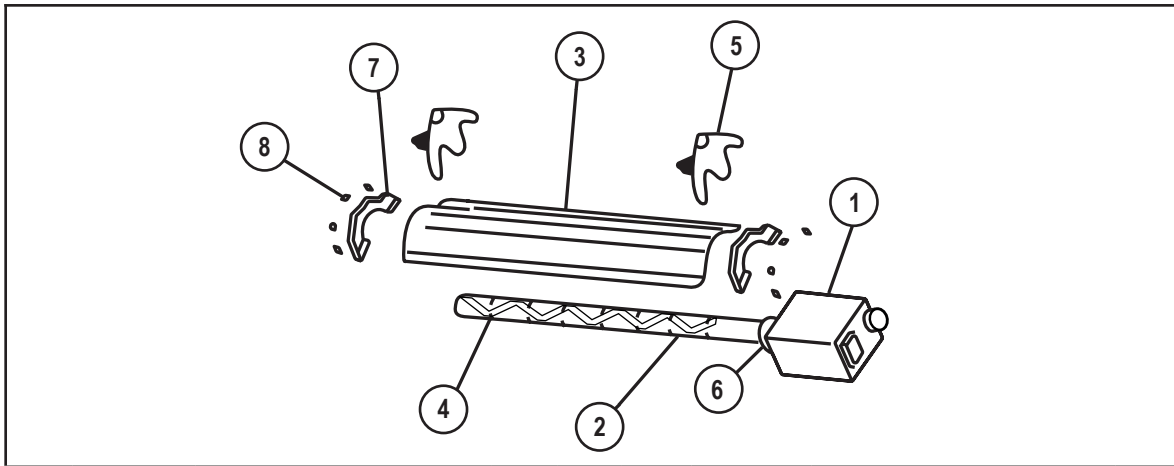
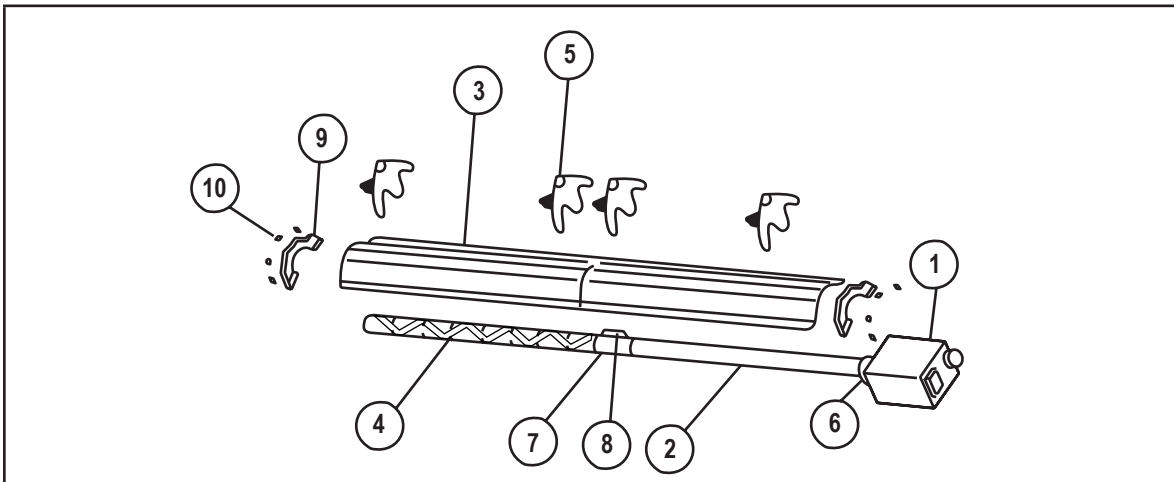


Parts List for Heatstar AG Tube Heaters



COMFORTER-40

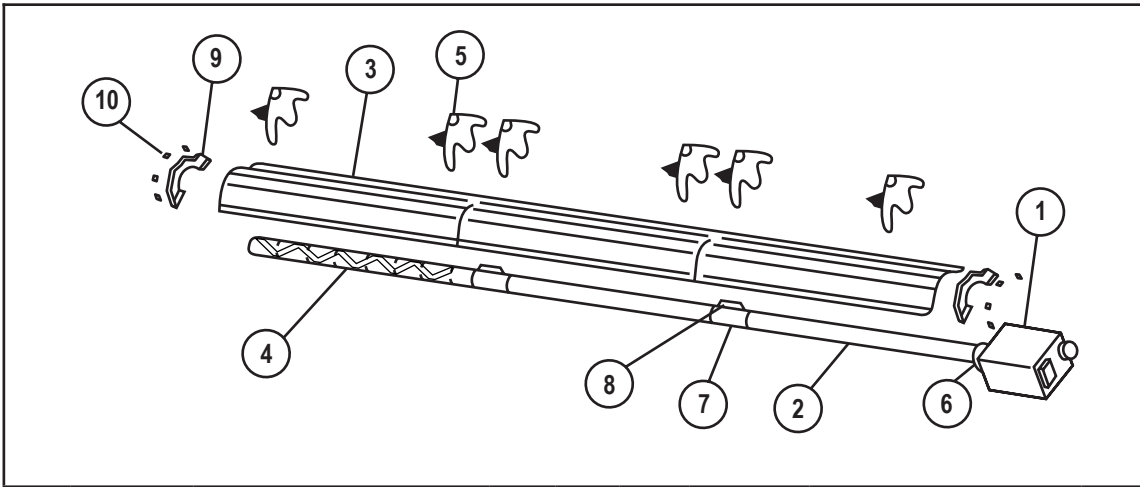
Item	Stock #	Description	QTY	Item	Stock#	Description	QTY
1	F102594AG	HSAG-40 NG / BRN & Cont Box	1	4	03445	Turbulator Baffle 9'	1
1	F102595AG	HSAG-40 LP / BRN & Cont Box	1	5	14585P	Hanger	4
2	F106408AG	Tube Set- 10'	1	6	02753	Front Flange	1
	06413	Alumn. Tube H.E. 4" O.D. X 10'	2	7	00419	Reflector End Cap	2
3	00418A	Reflector	2	8	09369	Spring Clips	8



COMFORTER-60

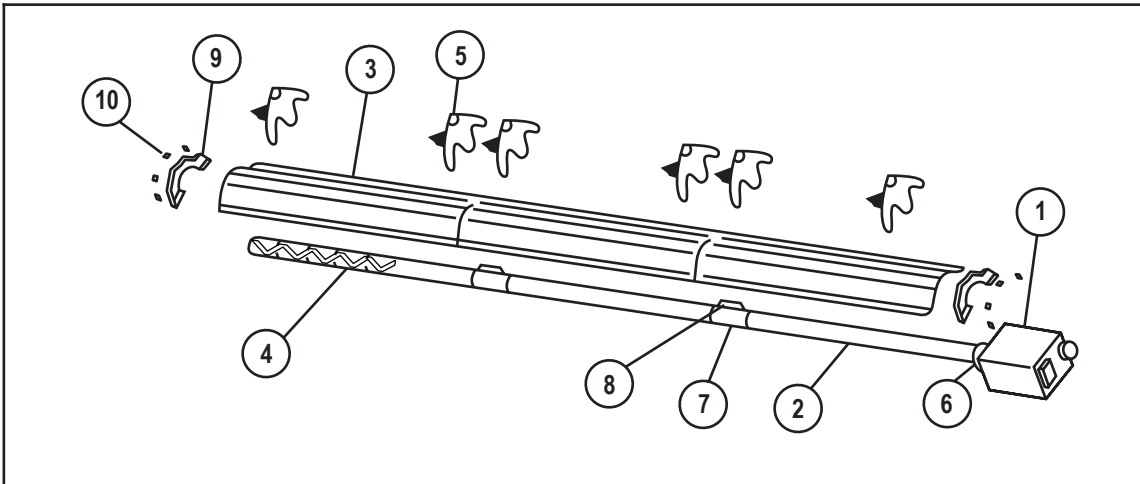
COMFORTER-80 (20' Tube Set)

Item	Stock #	Description	QTY	Item	Stock#	Description	QTY
1	F102650AG	HSAG-60 NG / BRN & Cont Box	1	1	F102652AG	HSAG-80 LP / BRN CONT Box	1
	F102651AG	HSAG-60 LP / BRN & Cont Box	1		F102653AG	HSAG-80 NG / BRN CONT Box	1
2	F106404AG	HSAG-60, / Tube Set- 20'	1	2	F106404AG	HSAG-80, / Tube Set- 20'	1
	06413	Alumn. Tube H.E. 4" O.D. X 10'	1		06413	Alumn. Tube H.E. 4" O.D. X 10'	1
	06416	Steel Tube H.E. 4" O.D. X 10'	1		06416	Steel Tube H.E. 4" O.D. X 10'	1
3	00418A	Reflector	2	3	00418A	Reflector	2
4	03445	Turbulator Baffle 10'	1	4	03445	Turbulator Baffle 10'	1
5	14585P	Hanger	4	5	14585P	Hanger	4
6	02753	Front Flange	1	6	02753	Front Flange	1
7	14612	Tube Coupling	1	7	14612	Tube Coupling	1
8	14616	Key for Tube Coupling	1	8	14616	Key for Tube Coupling	1
9	00419	Reflector End Cap	2	9	00419	Reflector End Cap	2
10	09369	Spring Clips	8	10	09369	Spring Clips	8



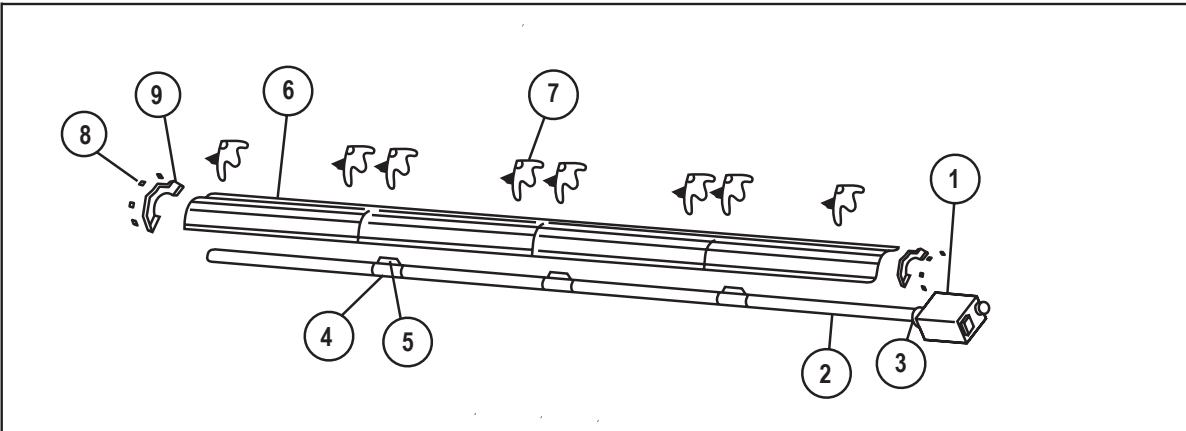
COMFORTER-80 (30' Tube Set)

Item	Stock #	Description	QTY	Item	Stock#	Description	QTY
1	F102652AG	HSAG-80 NG / BRN & Cont Box	1	5	14585P	Hanger	6
	F102653AG	HSAG-80 LP / BRN & Cont Box	1	6	02753	Front Flange	1
2	F106405AG	HSAG-80, / Tube Set- 30'	1	7	14612	Tube Coupling	2
	06413	Alumn. Tube H.E. 4" O.D. X 10'	1	8	14616	Key for Tube Coupling	2
	06416	Steel Tube H.E. 4" O.D. X 10'	2	9	00419	Reflector End Cap	2
3	00418A	Reflector	3	10	09369	Spring Clips	8
4	03445	Turbulator Baffle 10'	1				

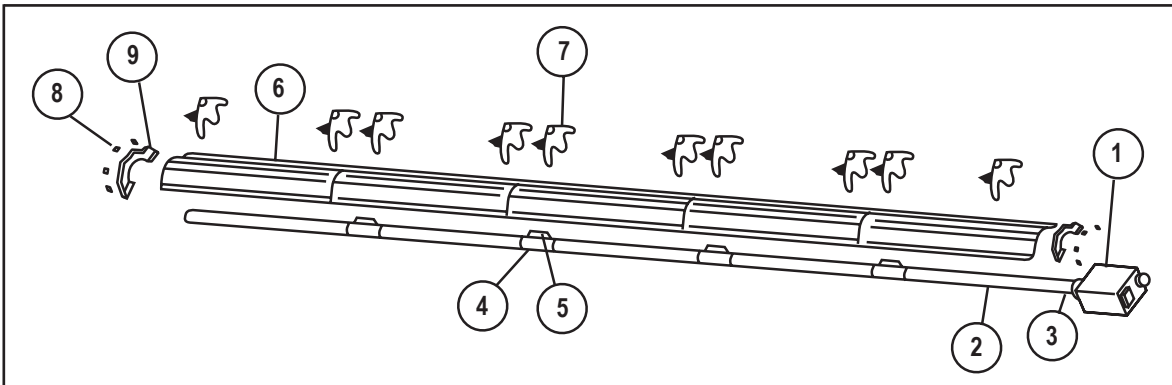


COMFORTER-100 (30' Tube Set)

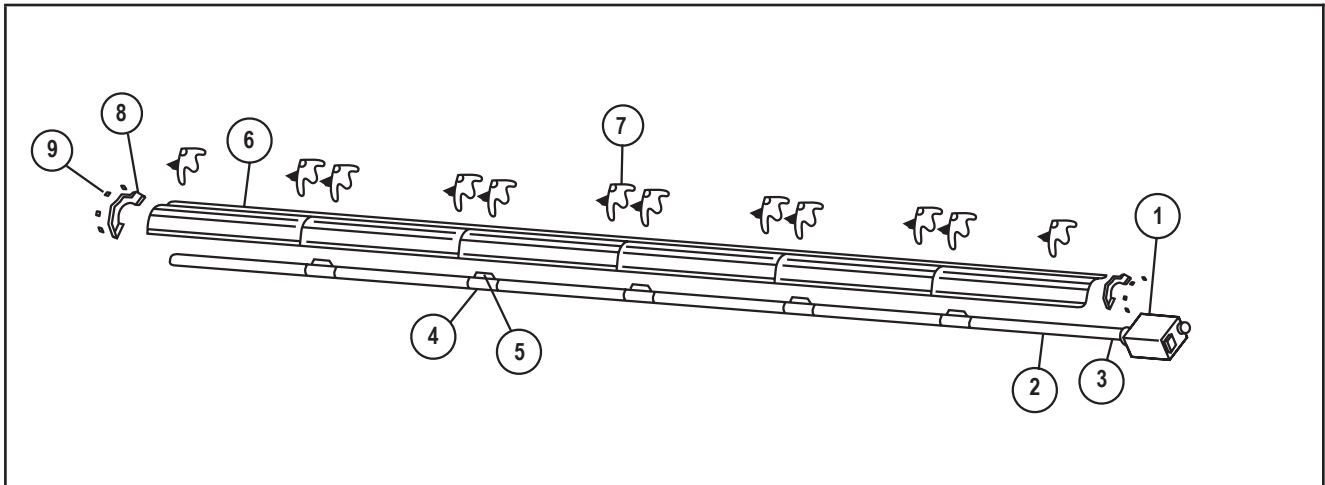
Item	Stock #	Description	QTY	Item	Stock#	Description	QTY
1	F102654AG	HSAG-100 NG / BRN & Cont Box	1	5	14585P	Hanger	4
	F102655AG	HSAG-100 LP / BRN & Cont Box	1	6	02753	Front Flange	1
2	F106401AG	HSAG-100, / Tube Set- 30'	1	7	14612	Tube Coupling	2
	06413	Alumn. Tube H.E. 4" O.D. X 10'	1	8	14616	Key for Tube Coupling	2
	06416	Steel Tube H.E. 4" O.D. X 10'	2	9	00419	Reflector End Cap	2
3	00418A	Reflector	3	10	09369	Spring Clips	8
4	03447	Turbulator Baffle 5'	1				



COMFORTER-100 (40' Tube Set)				COMFORTER-125 (40' Tube Set)			
Item	Stock #	Description	QTY	Item	Stock#	Description	QTY
1	F102654AG	HSAG-100 NG / BRN & Cont Box	1	1	F102656AG	HSAG-125 NG / BRN & Cont Box	1
	F102655AG	HSAG-100 LP / BRN & Cont Box	1		F102657AG	HSAG-125 LP / BRN & Cont Box	1
2	F106406AG	HSAG-100, / Tube Set- 40'	1	2	F106406AG	HSAG-125, / Tube Set- 40'	1
	06413	Alumn. Tube H.E. 4" O.D. X 10'	1		06413	Alumn. Tube H.E. 4" O.D. X 10'	1
	06416	Steel Tube H.E. 4" O.D. X 10'	3		06416	Steel Tube H.E. 4" O.D. X 10'	3
6	02753	Front Flange	1	3	02753	Front Flange	1
4	14612	Tube Coupling	1	4	14612	Tube Coupling	1
5	14616	Key for Tube Coupling	1	5	14616	Key for Tube Coupling	1
6	00418A	Reflector	4	6	00418A	Reflector	4
7	14585P	Hanger	8	7	14585P	Hanger	8
8	00419	Reflector End Cap	2	8	00419	Reflector End Cap	2
9	09369	Spring Clips	8	9	09369	Spring Clips	8



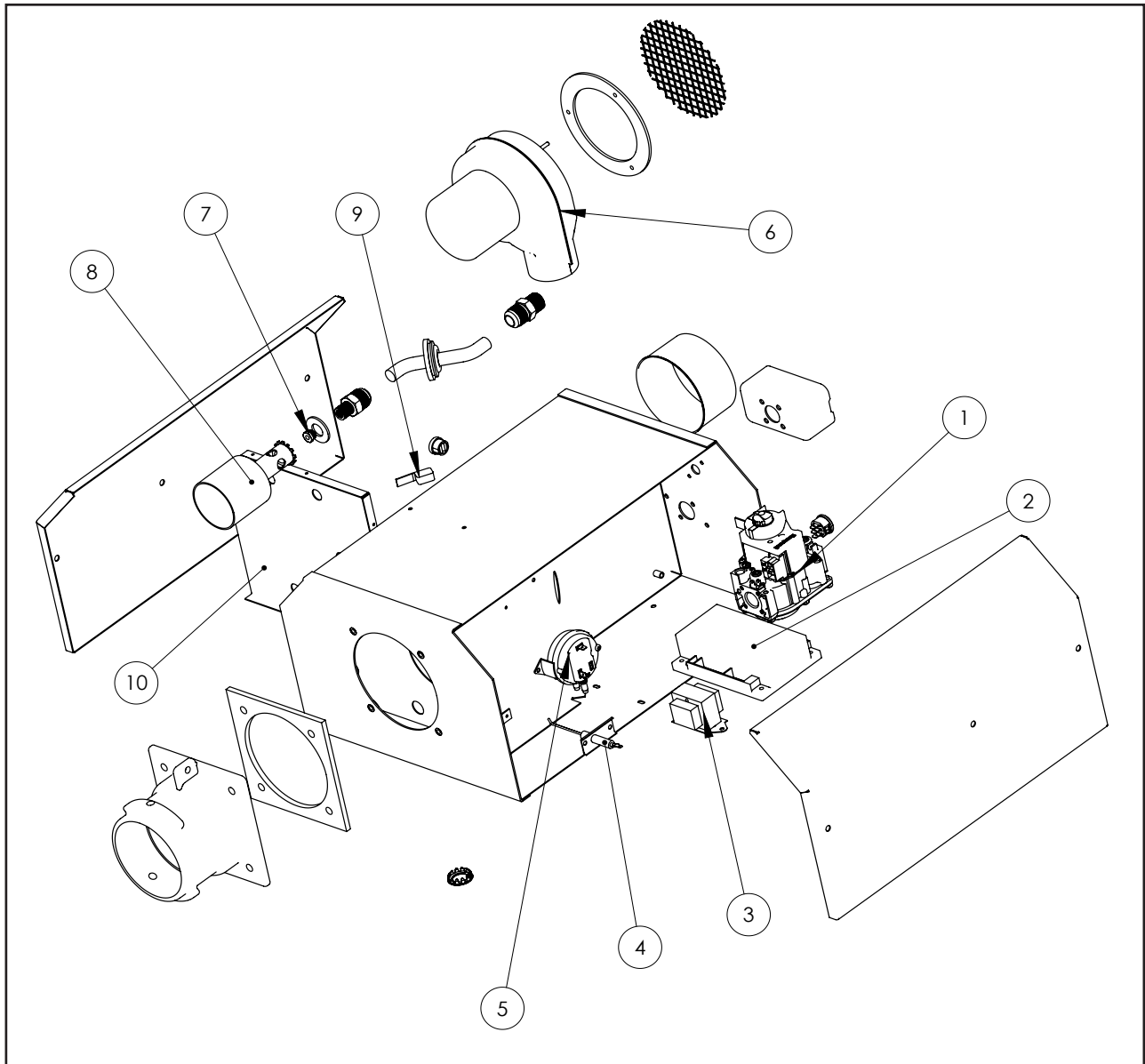
COMFORTER-125 / COMFORTER-150 / COMFORTER-175 (50' Tube Set)							
Item	Stock #	Description	QTY	Item	Stock#	Description	QTY
1	F102656AG	HSAG-125 NG / BRN & Cont Box	1		06416	Steel Tube H.E. 4" O.D. X 10'	4
1	F102657AG	HSAG-125 LP / BRN & Cont Box	1	3	02753	Front Casting	1
1	F102658AG	HSAG-150 NG / BRN & Cont Box	1	4	14612	Tube Flange	2
1	F102659AG	HSAG-150 LP / BRN & Cont Box	1	5	14616	Key for Tube Coupling	2
1	F102660AG	HSAG-175 NG / BRN & Cont Box	1	6	00418A	Reflector	5
1	F102661AG	HSAG-175 LP / BRN & Cont Box	1	7	14585	Hanger	10
2	F106407AG	Tube Set- 50'	1	8	00419	Reflector End Cap	2
	06413	Alumn. Tube H.E. 4" O.D. X 10'	1	9	09369	Spring Clips	8



COMFORTER-150 (60' Tube Set)				COMFORTER-175 (60' Tube Set)			
Item	Stock #	Description	QTY	Item	Stock#	Description	QTY
1	F102658AG	HSAG-150 NG / BRN & Cont Box	1	1	F102660AG	HSAG-175 NG / BRN & Cont Box	1
1	F102659AG	HSAG-150 LP / BRN & Cont Box	1	1	F102661AG	HSAG-175 LP / BRN & Cont Box	1
2	F106403AG	Tube Set- 60'	1	2	F106403AG	Tube Set- 60'	1
	06413	Alumn. Tube H.E. 4" O.D. X 10'	1		06413	Alumn. Tube H.E. 4" O.D. X 10'	1
	06416	Steel Tube H.E. 4" O.D. X 10'	5		06416	Steel Tube H.E. 4" O.D. X 10'	5
3	02753	Front Flange	1	3	02753	Front Flange	1
4	14612	Tube Coupling	5	4	14612	Tube Coupling	5
5	14616	Key for Tube Coupling	5	5	14616	Key for Tube Coupling	5
6	00418A	Reflector	6	6	00418A	Reflector	6
7	14585P	Hanger	12	7	14585P	Hanger	12
8	00419	Reflector End Cap	2	8	00419	Reflector End Cap	2
9	09369	Spring Clips	8	9	09369	Spring Clips	8

ACCESSORY PARTS LIST

Stock Number	Description	CONVERSION KITS				
10371	Thermostat 24 volt	HSAG-60	11732	LP TO NG	11733	NG TO LP
10392	Thermostat 110 Volt	HSAG-80	11734	LP TO NG	11735	NG TO LP
17370	Chain Kit	HSAG-100	11736	LP TO NG	11737	NG TO LP
F106414	180 U-Tube Accessory Kit	HSAG-125	11738	LP TO NG	11739	NG TO LP
F106415	90 Elbow Accessory Kit	HSAG-150	11740	LP TO NG	11741	NG TO LP
19021	Vent Adaptor	HSAG175	11730	LP TO NG	11731	NG TO LP
06430	Vent Cap					
00438	Side Reflector kit					
01376	Deflector kit (5')					
19031	Turnbuckle 5/16"-18"					
19061	Installation Kit					
Installation kit includes:						
Sealant, Tee, 24" Supply Line, Cap, Nipple Fitting						



ITEM#	EGI #	DESCRIPTION	QTY								
1A	00055	GAS VALVE - NATURAL GAS	1	7B	05749	40K LP ORIFICE	1	7M	05799	175 NG ORIFICE	1
1B	00056	GAS VALVE - PROPANE	1	7C	05726	60K NG ORIFICE	1	7N	05725	175 LP ORIFICE	1
2	02970	IGNITION MODULE	1	7D	05744	60K LP ORIFICE	1	8	02371	BURNER CUP	1
3	08364A	TRANSFORMER	1	7E	05718	80K NG ORIFICE	1	9	10391A	DOOR SWITCH	1
4	02895	IGNITER	1	7F	05737	80K LP ORIFICE	1	10A	05510XL	40K AIR PLATE	1
5A	02836	40K PRESSURE SWITCH	1	7G	05712	100K NG ORIFICE	1	10B	05505XL	60K AIR PLATE	1
5B	10413A	60K-125K PRESSURE SWITCH	1	7H	05733	100K LP ORIFICE	1	10C	05502XL	80K AIR PLATE	1
5C	10414A	150K-175K PRESSURE SWITCH	1	7I	05703	125K NG ORIFICE	1	10D	05501XL	100K AIR PLATE	1
6	07376	BLOWER MOTOR	1	7J	05730	125K LP ORIFICE	1	10E	05500XL	125K AIR PLATE	1
7A	05794	40K NG ORIFICE	1	7K	05796	150 NG ORIFICE	1	10F	05503XL	150K AIR PLATE	1
				7L	05728	150 LP ORIFICE	1	10G	05508XL	175K AIR PLATE	1