

Installer: Leave this manual with the appliance. Consumer: Retain this manual for future reference.



OPERATING INSTRUCTIONS AND OWNER'S MANUAL

MODEL#
HSU200NG
HSU250NG
HSU300NG
HSU400NG

READ INSTRUCTIONS CAREFULLY: YOUR SAFETY IS IMPORTANT TO YOU AND TO OTHERS.
Read and follow all instructions. Place instructions in a safe place for future reference. Do not allow anyone who has not read these instructions to assemble, light, adjust or operate the heater.



LARGE UNIT HEATER FOR RESIDENTIAL/COMMERCIAL USE

WARNING: Improper installation, adjustment, alteration, service or maintenance can cause injury or property damage. Refer to this manual. For assistance or additional information consult a qualified installer, service agency or the gas supplier.

-WHAT TO DO IF YOU SMELL GAS

- o DO NOT try to light appliance.
- o DO NOT touch any electrical switch, do not use any phone in your building
- o Leave the building immediately
- o Immediately call your gas supplier from a phone remote from the building. Follow the gas suppliers instructions
- o If you cannot reach your gas supplier, call the Fire Department.

- Installation and service must be performed by a qualified installer, service agency or the gas supplier.

FOR YOUR SAFETY:

Do not store or use gasoline or other flammable vapors and liquids in the vicinity of this or any other appliance.

WARNING: If the information in these instructions are not followed exactly, a fire or explosion may result causing property damage, personal injury or loss of life.

SAFETY

⚠ WARNING:

YOUR SAFETY IS IMPORTANT TO YOU AND TO OTHERS, SO PLEASE READ THESE INSTRUCTIONS BEFORE YOU OPERATE THIS HEATER.

⚠ WARNING:

FIRE OR EXPLOSION HAZARD

Failure to follow safety warnings exactly could result in serious injury, death or property damage. Be sure to read and understand the installation, operation, and service in this manual. Improper installation, adjustment, alteration, service or maintenance can cause serious injury, death or property damage.

⚠ WARNING:

Fuels used in liquefied propane gas appliances, and the products of combustion of such fuel, can expose you to chemicals including benzene, which is known to the state of California to cause cancer and cause birth defects or other reproductive harm, for more information go to www.P65Warnings.ca.gov

⚠ WARNING:

FIRE, BURN, INHALATION, AND EXPLOSION HAZARD. Keep solid combustibles, such as building materials, paper, or cardboard, a safe distance away from the heater. As recommended by the instructions never use the heater in spaces which do or may contain volatile or airborne combustibles, or products such as gasoline, solvents, paint thinner, dust particles or unknown chemicals.

⚠ WARNING:

THIS PRODUCT CAN EXPOSE YOU TO CHEMICALS INCLUDING LEAD AND LEAD COMPOUNDS, WHICH ARE KNOWN TO THE STATE OF CALIFORNIA TO CAUSE CANCER AND BIRTH DEFECTS OR OTHER REPRODUCTIVE HARM. FOR MORE INFORMATION VISIT WWW.P65WARNINGS.CA.GOV

	HSU200NG	HSU250NG	HSU300NG	HSU400NG
V/A/H/Phase	120v / 6.3A / 60hZ / 1Ø	120v / 6.3A / 60hZ / 1Ø	120v / 10A / 60hZ / 1Ø	120v / 10A / 60hZ / 1Ø
BTU Input	200,000 BTU	250,000 BTU	300,000 BTU	400,000 BTU
BTU Output	160,000 BTU	200,000 BTU	240,000 BTU	320,000 BTU
Efficiency %	80%	80%	80%	80%

CONTENTS

SAFETY.....	2
INTRODUCTION.....	5
INSTALLATION.....	6
START-UP.....	16
MAINTENANCE.....	20
FUEL CONVERSION INSTRUCTIONS.....	22
TROUBLESHOOTING GUIDE.....	24
PARTS LIST.....	26
WARRANTY.....	28

LANGUAGES

ENGLISH.....	1 - 28
SPANISH.....	1 - 28
FRENCH.....	1 - 28

GENERAL INFORMATION

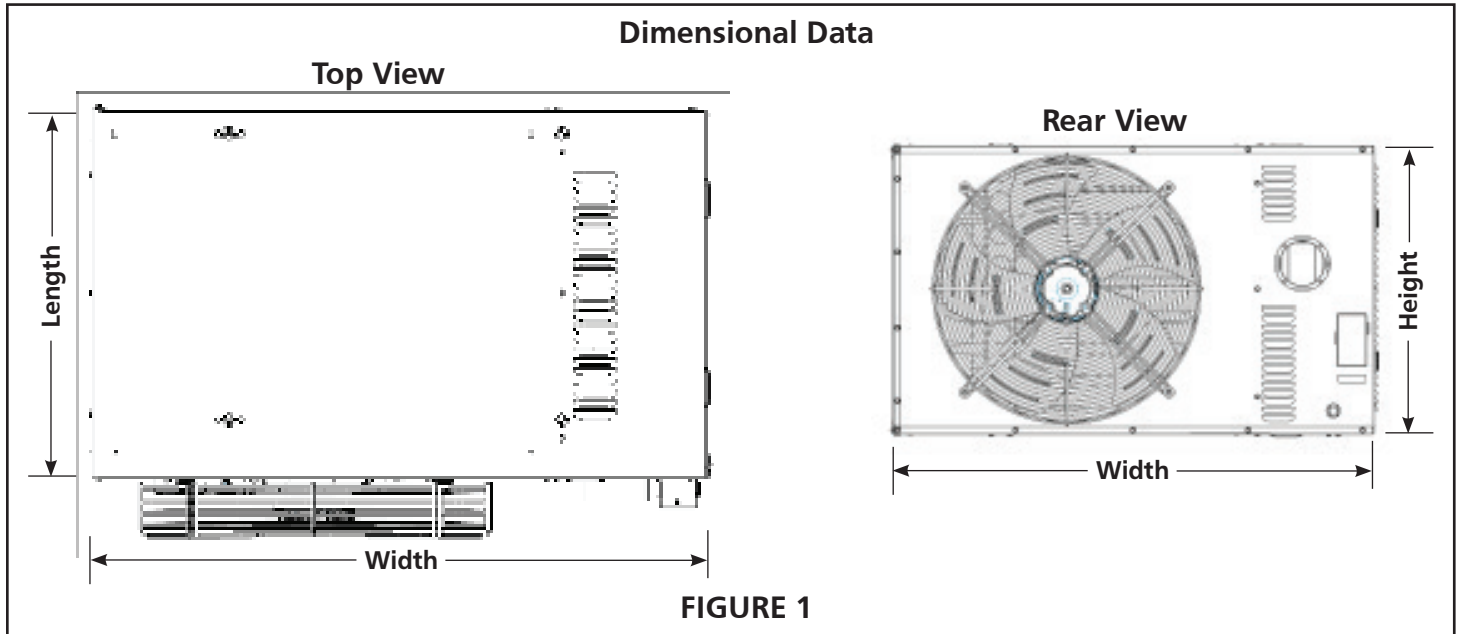
RETAIN THIS MANUAL FOR FUTURE REFERENCE. FOR QUESTIONS, PROBLEMS, MISSING PARTS BEFORE RETURNING TO RETAILER PLEASE CALL WITH MODEL NUMBER AND SERIAL NUMBER OF HEATER:
 1-866-447-2194
 MONDAY-FRIDAY 8-5 EASTERN TIME
 OR E-MAIL USING THE HEATSTAR WEBSITE:
WWW.HEATSTARBYENERCO.COM
 In order to provide the best service possible HEATSTAR is now giving you more ways to get in touch with us. Find informational videos at:

 YouTube: youtube.com/heatstarTV

HEATSTAR'S full line of products are now at:
WWW.HEATSTARBYENERCO.COM

PRODUCT SPECIFICATIONS

This unit heater is a single input warm air heater with an average thermal efficiency of 80%. All units are to be supplied with single-phase 60 Hz 120VAC power. For specific information on each model, see **Table 1**.



	BTU input	BTU output	Size			
	[BTU/HR]	[BTU/HR]	WIDTH	LENGTH	HEIGHT	WEIGHT[Lbs.]
HSU200NG	200,000	160,000	41.3"	28.7"	24.8"	175
HSU250NG	250,000	200,000	41.3"	28.7"	24.8"	180
HSU300NG	300,000	240,000	41.3"	28.7"	30.3"	227
HSU400NG	400,000	320,000	41.3"	28.7"	38.6"	280

TABLE 1: Specifications

	BTU input [BTU/HR]	Entering Airflow [CFM]	Outlet Velocity [FPM]	Air Temp. Rise [°F]	Motor [Watt]	Motor [RPM]	Fan Diameter [Inch.]
HSU200NG	200,000	3,377	960	45.0	650	1,500	21.7
HSU250NG	250,000	3,435	976	55.3	650	1,500	21.7
HSU300NG	300,000	4,507	1,040	50.6	1,000	1,560	24.8
HSU400NG	400,000	5,763	1,040	52.7	1,000	1,560	24.8

TABLE 2: General Performance Data

START-UP AND PERFORMANCE CHECK LIST

Job Name: _____ Job No.: _____ Date: _____

Job Location: _____ City: _____ State/Province: _____

Installer: _____ City: _____ State/Province: _____

Unit Model No.: _____ Serial No.: _____ Service Technician: _____

Electrical Connections Tight? _____ Flue Connections Tight? _____

Supply Voltage _____ Fan Timer Operation Checked? _____

Gas Piping Connections Tight & Leak-Tested? _____ THERMOSTAT Calibrated? _____

Motor Amps _____ Heat Anticipator Properly Set? _____

Furnace BTU input _____ Level? _____

Line Pressure _____

Manifold Pressure W.C. _____

SHIPPING

The heater is completely assembled. Check the unit for shipping damage. The receiving party should contact the last carrier immediately if any shipping damage is found.

APPLICATIONS

This is **not** an explosion proof heater. This heater may not be used in a Class 1 or Class 2 Explosive Environment. Consult your local fire marshal, insurance carrier, and other authorities for approval if the proposed installation is in question.

COMMERCIAL/INDUSTRIAL

The heater is designed and certified for use in industrial and commercial buildings, such as warehouses, manufacturing plants, aircraft hangars, and vehicle maintenance shops. For maximum safety, the building must be evaluated for potential problems before installing the heater system. This unit is certified for use as furnished by the manufacturer. Do not alter the fan or operate motors at a reduced speed.

⚠ CAUTION: Installation of restrictive devices to the inlet or outlet of the fan motor may result in premature failure of the exchanger pipe, overheating of the appliance, or damage to the components. Do not attach ductwork, air filters, or polytubes to any HEATSTAR unit heater.

STANDARDS, CERTIFICATIONS, AND GOVERNMENT REGULATIONS

Installation of this gas-fired heater must conform with all applicable local, state, and national specifications, regulations, and building codes. Contact the local building inspector and/or fire marshal for guidance.

In the absence of local codes, the installation must conform to the latest edition of:

CSA IN USA

Installation of gas unit heaters must conform with local building codes or, in the absence of local codes, with the current National Fuel Gas Code ANSI Z223.1.

Installation in aircraft hangars must be in accordance with the current Standard for Aircraft Hangars ANSI/NFPA No. 409.

Installation in parking structures must be in accordance with the current Standard for Parking Structures ANSI/NFPA No. 88A.

For installation in a residential garage these units must be installed so that the bottom of the heater is located no less than 8 feet (2.438m) above floor. Heater must be located or protected to avoid physical damage by vehicles. Refer to the National Fuel Gas Code, ANSI Z223.1, current edition.

Authorities having jurisdiction should be consulted before NFPA installation. Air for combustion and ventilation must conform to the methods outlined in ANSI Z223.1, section 5.3, Air for Combustion and Ventilation, or applicable provisions of local building codes. ANSI Z83.8 / CSA 2.6 is the standard for Gas Unit Heater Construction. The National Fuel Gas Code is available from:

American National Standard Institute Inc.
11 West 42nd Street
New York, NY 10036

These units are CSA International design certified. These unit heaters are certified for installation to combustible material as listed in **Table 3** and on unit rating plate. Accessibility and service clearances must be observed in addition to fire protection clearances.

All electrical wiring and ground for unit must be in accordance with the regulations of the current National Electric Code ANSI/No. 70.

The National Electric Code is available from:

National Fire Protection Association
1 Batterymarch Park
PO Box 9101
Quincy, MA 02269-9101

CSA IN CANADA

The instructions are intended only as a general guide and do not supersede local codes in any way. Authorities having jurisdiction should be consulted before installation. The installation must conform with local building codes or in the absence of local codes, with the current CSA B149.1, Natural Gas and Propane Installation Code. All electrical wiring and grounding for the unit must also comply with the Canadian Electrical Code CSA C22.1, current edition.

These heaters are CSA International certified for the clearances to combustible material listed on the rating plate and **Table 3**. Provide adequate clearance around air openings into the combustion chamber, clearances from combustible material, and provisions for accessibility and for combustion and ventilation air supply. Provision shall be made for service accessibility to the heater. Note that fire protection clearances may be exceeded to provide additional space for service and accessibility. CAN/CGA B149.1-10 is the code for Natural Gas and Propane Installation.

Copies of these Standards can be viewed or purchased at www.nfpa.org or www.scc.ca.

GARAGE INSTALLATIONS

Installation in parking structures must be in accordance with the current Standard for Parking Structures ANSI/NFPA No. 88A.

Installation in repair garages must be in accordance with the current Standard for Repair Garages ANSI/NFPA No. 88B.

1. In a storage area, clearance from heaters to combustible materials must be such that the material shall not attain a temperature above 160° F by continuous operation of the unit.
2. Eight foot minimum clearance from the floor to the bottom of the heater must be maintained. Refer to the CSA B149.1, Natural Gas and Propane Installation Code.

Canada: Refer to CAN/CGA B149.1: Installation Codes for Gas Burning Appliances and applicable Standards for Public Garages.

Guidelines:

- Heaters must not be installed less than 8 ft. (2.4 m) above the floor. Minimum clearances to combustibles must be maintained from vehicles parked below the heater.
- When installed over hoists, minimum clearances to combustibles must be maintained from the upper most point of objects on the hoist.

AIRCRAFT HANGAR INSTALLATIONS

Installation of gas unit heaters must conform with local building codes or, in the absence of local codes, with the current National Fuel Gas Code ANSI Z223.1.

IN UNITED STATES: Refer to Standard for Aircraft Hangars, ANSI/NFPA 409 (latest edition).

1. In aircraft storage and servicing areas, heaters shall be installed at least 10 ft. (3 m) from above the upper surface of wings or of the engine enclosures of the highest aircraft that may be housed in the hangar. The measurement shall be made from the wing or engine enclosure, whichever is higher from the floor, to the bottom of the heater.
2. In areas adjoining the aircraft storage area (e.g., shops, offices) the bottom of heaters shall be installed no less than 8 ft. (2.4 m) above the floor.
3. Heaters should be located so as to be protected from damage from aircraft or other appliances needed for servicing of aircraft. Refer to requirements of the enforcing authorities. Provisions shall be made to assure accessibility to suspended heaters for recurrent maintenance purposes.

For installation in hangars, these units must be installed so that burners and ignition source are located no less than 18" (457mm) above floor. Heater must be located or protected to avoid physical damage by vehicles. Refer to CSA B149.1, Natural Gas and Propane Installation Code current edition.

IN CANADA: In a confined area, the heater must be installed in accordance with the CSA B149.1, Natural Gas and Propane Installation Code. Be sure to check with local codes and ordinances for additional requirements.

NON-STANDARD BTU GAS

Unless otherwise noted on the rating plate, this heater is designed and orificed to operate on standard BTU gas. Contact the factory if utilizing non-standard BTU gas.

INTRODUCTION

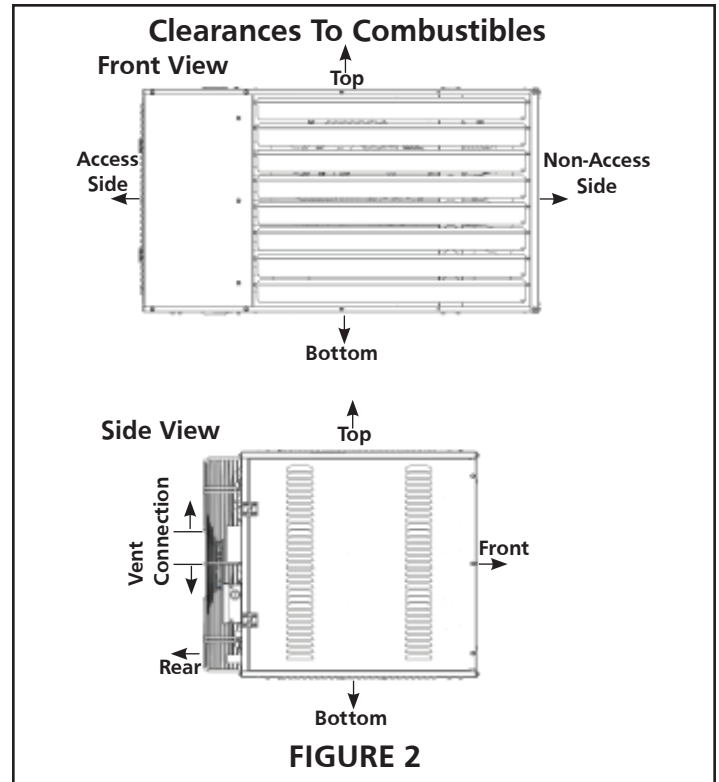
This heater is a gas-fired unit heater. This manual provides specific information related to the Heatstar models. All persons involved with the installation, operation, and maintenance of the heater must read and understand the information in this manual.

The intent of this manual is to provide information regarding safety, design guidelines, installation, operation, and maintenance of the this gas-fired unit heater. You must read and understand the instructions and all safety warnings before installing the gas-fired unit heater. This manual is property of the owner and must stay with the owner or unit after installation is complete.

CLEARANCES TO COMBUSTIBLES

Clearance to combustibles is defined as the minimum distance that must exist between the specified feature of the heater and any combustible items. It also pertains to the distance that must be maintained from moving objects around the unit heater. A recommended service clearance is defined as the minimum distance that is needed to properly service the heater. When installing the unit heater, clearances to combustible for the model heater must be maintained. Refer to Table 3 to determine the required distances for your model.

⚠WARNING: Placement of explosive objects, flammable objects, liquids, and vapors close to the heater may result in explosion, fire, property damage, serious injury, or death. Do not store or use explosive objects, liquids, or vapor in the vicinity the heater.



Unit Side	Front	Top and Bottom	Access Side	Non-Access Side	Rear	Vent Connection
Clearance to Combustibles	60"	6"	6"	6"	18"	6"
Clearance to Allow Service	60"	18"	29"	18"	18"	18"

TABLE 3: Clearances To Combustibles

HEATER COMPONENTS

Prior to installation, verify that the heater's gas type and voltage (as listed on the rating plate) match that of your application. The heater is standard produced for operation with natural gas. In case of use with LP / propane gas, see Fuel Conversion instructions. Also verify that you have received the entire heater contents included with your unit. Materials not included with the unit (e.g. screws, vent material, threaded rod, etc.) are the responsibility of the installer. Notify your product representative or the factory of any discrepancy of missing items prior to installing the unit.

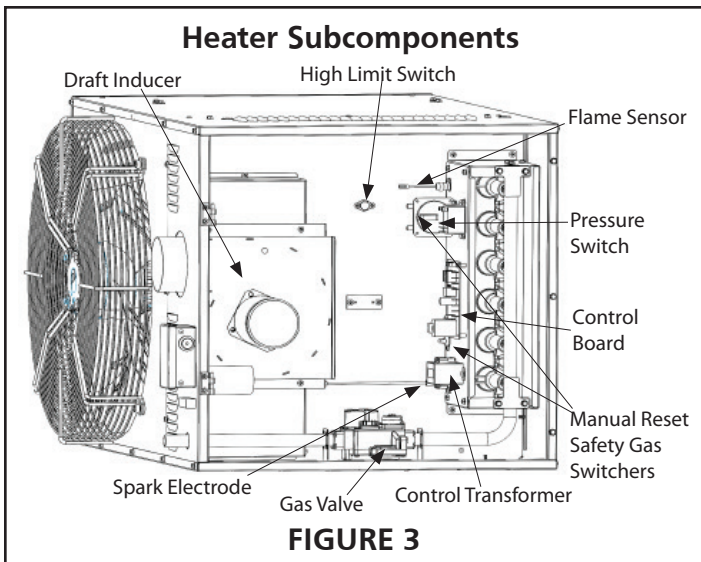


FIGURE 3

INITIAL INSTALLATION CONSIDERATIONS AND PRE-CHECKS

⚠️WARNING: Improper installation, adjustment, alteration, service, or maintenance can cause property damage, serious injury, or death. Read and understand the installation, operating, and maintenance instructions thoroughly before installing or servicing this equipment. This manual should be kept for future use for servicing or service diagnostics. Leave manual with the owner. Do not discard any literature shipped with this unit. Only a trained, qualified installation or service personnel may install or service this equipment. Do not attach ductwork, air filters, or polytubes to any propeller unit heater.

Placement of the heater is influenced by many factors. Aside from safety factors, considerations for the general space and heating requirements, availability of gas and electrical supply, and proximity of possible vent locations are a few examples of factors that should all be considered.

Inspect and evaluate the location of the heater to ensure that the structural support is adequate to support the unit's weight. The unit must be installed in a horizontally level position to ensure proper operation. To reduce noise attenuation along the structure caused by vibration of the unit, the heater should be installed within 15 feet of a primary building support. In the cases where this installation is not practical or feasible, the use of spring vibration isolators may be used, so long as they are rated for use of the unit's weight.

Adequate space around the heater must also be considered in order to maintain the published minimum clearance to combustibles and recommended service clearances (see **Table 3**).

⚠️WARNING: Do not locate any gas-fired units in area where chlorinated, halogenated, or acid vapors are present in the atmosphere. These substances can cause premature heat exchanger failure due to corrosion which can cause property damage, serious injury, or death.

In the U.S., the installation of these units must comply with the National Fuel Gas Code, ANSI Z223.1 (NFPA 54) - latest edition and other applicable local building codes. In Canada, the installation of these units must comply with local plumbing or waste water codes and other applicable codes and with the current code CSA-B149.1.

All installation and service of these units must be performed by a qualified installation and service agency only as defined in ANSI Z223.1 (NFPA 54) - latest edition or in Canada by a licensed gas fitter.

This unit is certified with the controls furnished. For replacements parts, please order according to the replacement parts list on rating plate. Always know your model and serial numbers, we reserves the right to substitute other authorized controls as replacements.

Unit is balanced for correct performance. Do not alter fan or operate motors at speeds below what is shown in this manual.

Information on controls is supplied separately. The same burner is used for natural and propane gas.

INSTALLATION

NOTICE: High humidity or saltwater atmospheres will accelerate heater corrosion and reduce useful life. Do not install the heater in locations where water (in the form of rain, drips, or spray) could fall onto the gas ignition components.

⚠️WARNING: Improper suspension of the unit heater may result in collapse and being crushed. Always suspend from a permanent part of the building structure that can evenly support the total force and weight of the heater. Failure to maintain minimum clearance to combustibles may result in fire and/ or explosion, property damage, serious injury, or death. Always maintain minimum clearances.

The units are designed to be hung with threaded bolts via the four (4) threaded inserts on the top panel of the heater:

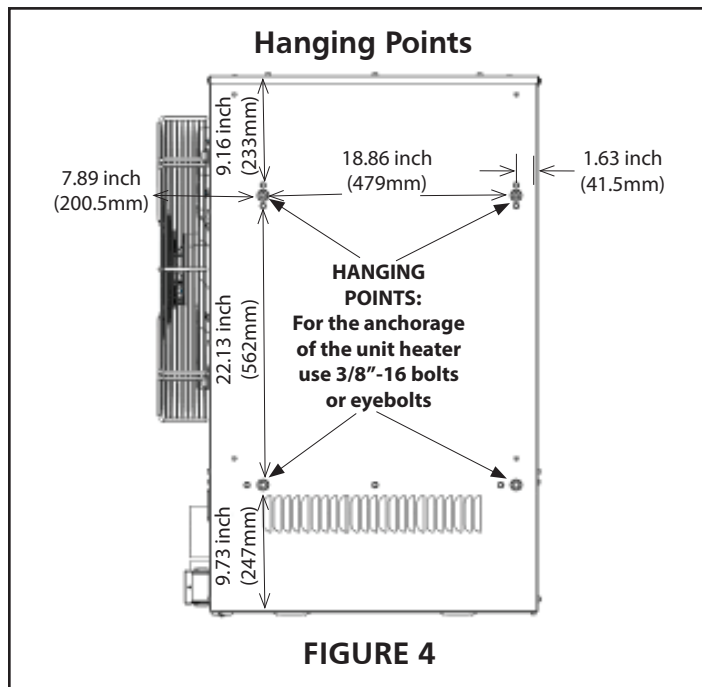


FIGURE 4

The suspension of the heater must conform to all applicable codes referenced in the STANDARDS section.

To ensure proper operation, the heater must be installed in a level horizontal position depending on desired location as governed by clearances, vent connection, air direction, gas supply, electrical supply and service accessibility.

Be sure the means of suspension is adequate to support the weight of the unit (see **Table 1** for unit weights).

⚠CAUTION: Do not install units below 7' measured from the bottom of the unit to the floor in commercial applications (unless unit is properly guarded to provide user protection from moving parts).
Be sure no obstructions block air intake and discharge of unit heaters.
The minimum distance from combustible material is based on the combustible material surface not exceeding 160° F. Clearance from the top of the unit may be required to be greater than the minimum specified if heat damage, other than fire, may occur to materials above the unit heater at the temperature described.
Allow 18" clearance at rear (or 12" beyond end of motor at rear of unit, whichever is greater) and access side to provide ample air for proper operation of fan.

VENTING

Heatstar unit heaters must be vented as described here to properly direct the flue gases from the unit to the outside atmosphere. The venting can terminate vertically through the roof (up) or horizontally through a sidewall (sideways).

⚠WARNING: Gas-fired heaters must be vented. Do not operate unvented. A built in power exhauster is provided. Additional external power exhausters are not required or permitted. Insufficient ventilation and/or improperly sealed vents may release gas into the building which could result in health problems, carbon monoxide poisoning, or death. Improper venting may result in fire, explosion, injury, or death.

⚠CAUTION: Installation must conform with local building codes or in the absence of local codes, with Part 7, Venting of Equipment, of the National Fuel Gas Code, ANSI Z223.1 (NFPA 54) – latest edition. In Canada installation must be in accordance with CSA B149.1.

Heatstar heaters come with a factory-installed vent for attaching vent pipe to the heater. Attach the venting material to the adapter with three (3) non-corrosive sheet metal screws. If necessary, drill pilot holes prior to attaching the vent pipe. The venting material must not be smaller than the factory installed adapter.

⚠WARNING: Do not vent this appliance into another heater's vents or through a masonry chimney.
Do not use dampers in the heater vent pipe.
The venting system must be exclusive to a single appliance and no other appliance is allowed to be vented into it.
Precautions must be taken to prevent degradation of building materials by flue products.
Single Wall vent pipe must not pass through any unoccupied attic, inside wall, concealed space, or floor.
Un-insulated single wall vent pipe must not be used outdoors for venting appliances in regions where winter design temperature is below freezing.

REPLACING EXISTING EQUIPMENT

If the unit heater is replacing existing equipment and using an existing vent system, inspect the venting for proper size and horizontal pitch as directed in these instructions and the latest edition of the National Fuel Gas Code, ANSI Z223.1 (NFPA 54) or CSA B149.1 Installation Code.

Determine that there is not blockage, restriction, leakage, corrosion, or other deficiencies that can cause hazards. The vent pipe should be corrosion-resistant galvanized steel of a thickness that meets the National Fuel Gas Code. Minimum thickness for connectors varies depending on the pipe diameter. Never vent this unit heater with PVC or plastic pipe.

⚠WARNING: If replacing an existing heater, vents may require re-sizing. Improperly sized venting systems can result in vent gas leakage or condensation. Refer to the National Fuel Gas Code ANSI Z223.1 (NFPA 54) or CSA B149.1 - latest edition. Failure to follow these instructions can result in serious injury or death.

GENERAL VENTING REQUIREMENTS

NOTICE: The vent is a passageway, vertical or nearly so, used to convey flue gases from an appliance, or its vent connector, to the outside atmosphere. The vent connector is the pipe or duct that connects a fuel-gas burning appliance to a vent or chimney.

Do not intermix different vent system parts from different manufacturers in the same venting system.

Vent connectors serving Category I and Category II Appliances shall not be connected into any portion of mechanical draft systems operating under positive pressure.

All joints shall be secured with at least two corrosion resistant screws. All joints must be checked for gas tightness after installation.

⚠CAUTION: The heater and the venting system shall be inspected once a year by a qualified service agency.

Configuration of the vent termination determines the category type. All model heaters must be installed in accordance to the requirements of this section, as well as the requirements of its category determination, as described in this manual.

All Heatstar Model Requirements:

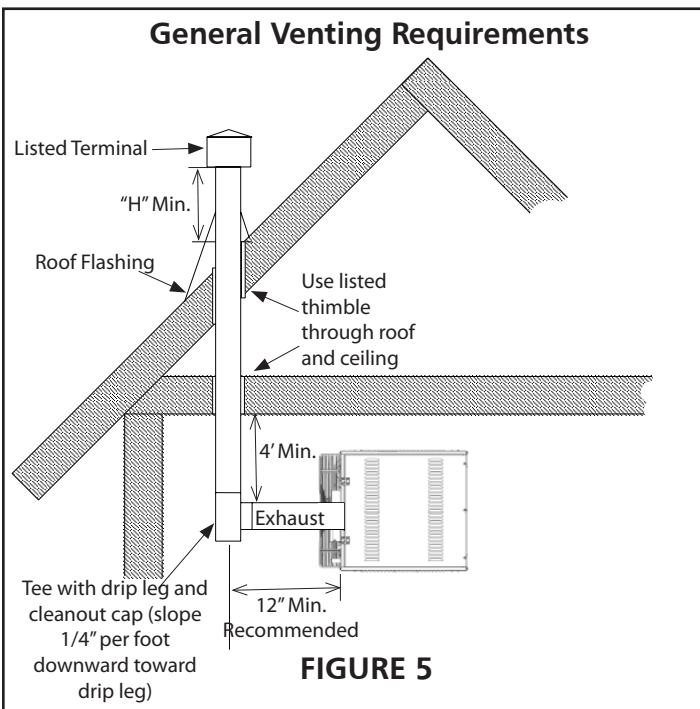
- Use vent pipe material that is corrosion-resistant galvanized steel of a thickness that meets the National Fuel Gas Code.
- Do not exceed a maximum vent length as indicated in **Table 4**.
- Maintain a minimum vent length of 3 feet (914mm).
- Have all vent pipe seams or connectors fastened together with at least three corrosion resistant sheet metal screws (supplied by the installer).
- Maintain a 6 inch clearance around all single wall vent pipe from any combustible materials. For double wall vent pipe (type B) follow the vent manufacturer's clearance to combustibles.
- The equivalent length for a 4 inch 90° elbow is 5 feet.
- The equivalent length for a 6 inch 90° elbow is 7 feet.
- Avoid using more than two 90° directional changes in the venting system.
- Suspend and secure all horizontal runs at points no greater than 3 feet (914mm) apart.
- Vent termination must maintain a minimum distance of 6 feet from any mechanical air supply inlet.
- Vent must terminate a minimum of 4 feet below, 4 feet horizontally from, or 1 foot above any window or door that may be opened or gravity air inlet into the building.

- Vent must terminate a minimum of 4 feet above grade level and must extend beyond any combustible overhang. When condensation may be a problem, the vent system shall not terminate over public walkways or over an area where condensate or vapor could create a nuisance or hazard or could be detrimental to the operation of regulators, relief openings, or other equipment.
- The vent terminal must be installed to prevent any blockage by snow and protect building material from degradation by flue gases.
- The vent cap must be a minimum of 6 inches from the sidewall of the building.
- Vent must be a minimum of 36 inches below or extend beyond any combustible overhang.
- Consult NFPA ANSI Z223.1 Gas Vent Termination criteria for vents that terminate on a roof pitch that exceeds 9:12.
- Canada: vents must terminate a minimum of 3 feet (914mm) from a window or door that may be opened, and a non-mechanical air supply inlet or combustion air inlet into the building.

Model	Vent Pipe Diameter	Equivalent Vent Length	
		Minimum	Maximum
HSU200NG	4"	3'	70'
HSU250NG	6"	3'	70'
HSU300NG			
HSU400NG			

TABLE 4

Vent Pipe Diameters and Equivalent Vent Pipe Lengths for Horizontal Venting Systems



When possible, avoid venting through an unconditioned space. Venting through an unconditioned space promotes condensation. When venting through an unconditioned space is unavoidable, or if the unit is installed in an area that is prone to condensation, insulate venting runs greater than 5 feet to minimize the production of condensation. Inspect for leakage prior to insulating the venting and only use insulation that is non-combustible with a temperature rating of not less than 500° F. It is recommended that the venting system is installed with a tee, drip leg, and clean-out cap as shown in Figure 5.

When venting pipe passes through a combustible interior wall or floor, a metal thimble with a diameter 4 inches greater than the vent pipe diameter must be used. If there is 6 feet or more of vent pipe prior to passing through the combustible wall or floor, then the metal thimble need only be 2 inches greater than the vent pipe diameter. If a metal thimble is not used, all clearance to combustibles from the vent pipe must be 6 inches. Where permitted, type B vent may be used for the last section of vent pipe to reduce the required clearance to combustibles when passing through a combustible wall or floor. When using type B venting, follow the manufacturer’s recommended clearance to combustibles. Any material used to close or insulate the opening must be non-combustible.

How to attach a single wall vent terminal to double wall (Type B) vent pipe:

1. Look for the “flow” arrow on the vent pipe.
2. Slide the vent terminal inside the exhaust end of the double wall vent pipe.
3. Drill 3 holes through the pipe and the vent terminal. Using 3/4” long sheet metal screws, attach the cap to the pipe. Do not overtighten.

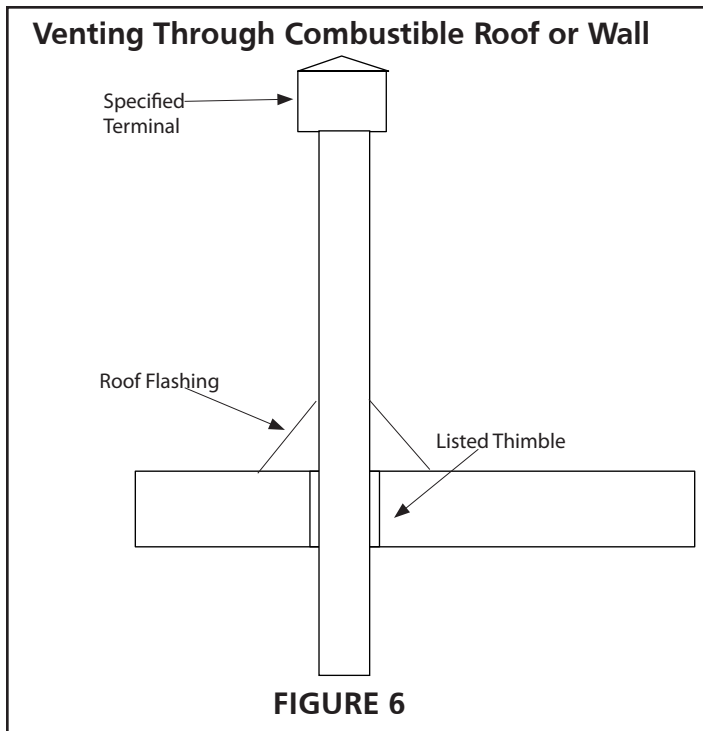
How to connect a single wall vent system to a double wall (Type B) vent pipe:

1. Slide the single wall pipe inside the inner wall of the double wall pipe.
2. Drill 3 holes through both walls of the single and double wall vent pipes. Using 3/4” sheet metal screws, attach the 2 pieces of pipe. Do not overtighten.
3. The gap between the single and double wall pipe must be sealed but it is not necessary to fill the full volume of the annular area. To seal, run a large bead of 500° F silastic around the gap.

VERTICAL VENTING

An appliance that operates with a positive vent static pressure and with a vent gas temperature that avoids excessive condensate production in the vent is said to be ‘Category III’. This unit heater is considered a Category III appliance if the venting system meets all of the following criteria:

- The vent system terminates vertically (up).
- The length of the horizontal portion of the vent run is less than 75% of the vertical rise length. (e.g.- If the vertical vent height is 10 feet, the horizontal run is less than 7-1/2 feet).
- Horizontal sections of the vent pipe must be installed with an upward slope from the appliance at a pitch of 1/4 inch per foot and suspended securely from overhead structures at points not greater than 3’ apart.
- The vent terminates a minimum of 5 feet above the vent connection on the unit.



For vertical vent termination, the venting must comply with all the **General Venting Requirements** and with the following vent locations and clearances:

- Separate air intake duct from vent pipe by a minimum of 4 feet by placing vent pipes higher than adjacent air intake ducts.
- Utilize a listed type B vent termination cap.
- The vent terminal must extend a minimum of 2 feet above the roof.
- Vent caps should be located a minimum of 2 feet away from adjoining structures.
- All vertically vented heaters that are Category I must be connected to a chimney or vent complying with a recognized Standard, or lined masonry (or concrete) chimney with a material acceptable to the authority having jurisdiction. Venting into an unlined masonry chimney is not permitted. Refer to the National Fuel Gas Code.
- Use a listed vent terminal to reduce down drafts and moisture in the vent.
- Ensure the vent connector runs as short as possible with a minimum number of elbows. Refer to the (American) National Fuel Gas Code ANSI Z223.1 or (Canada) CSA B149.1 Natural Gas and Propane Installation Code for maximum vent and vent connector lengths. Horizontal run of the vent connector from the induced draft blower to the chimney/vent cannot exceed the values in Table 4.
- When the length of a single wall vent including elbows, exceeds 5 feet (1.5m), the vent shall be insulated along its entire length with a minimum of 1/2" thick foil faced fiberglass 1-1/2# density insulation. If a single wall vent is used in an unheated area it shall be insulated. Failure to do so will result in condensation of flue gases.
- All vertical type B-1 vents, single wall vents, or listed chimney lining system must be terminated with a listed vent cap or listed roof assembly.
- The vent must extend at least 3' (1m) above the highest point where it passes through a roof of a building and at least 2' (0.6m) higher than any part of a building within a horizontal distance of 10' (3.05m) unless otherwise specified by the (American) National

Fuel Gas Code, ANSI Z223.1 or (Canada) CAN/CGA-B149 Installation Code. The vent must extend at least 5' (1.6m) above the highest connected equipment flue collar.

HORIZONTAL VENTING

An appliance that operates with a positive vent static pressure and with a vent gas temperature that avoids excessive condensate production in the vent is said to be 'Category III'. This unit heater is considered a Category III appliance if the venting system meets all of the following criteria:

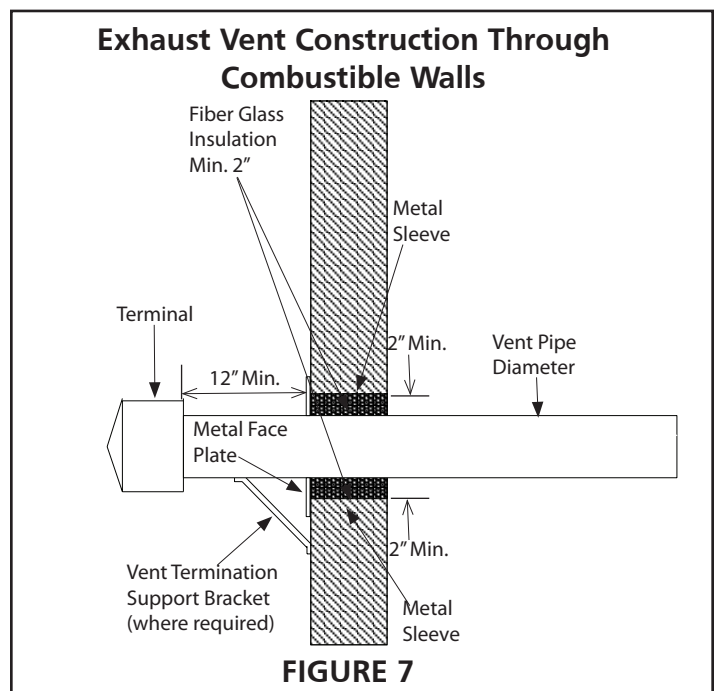
- The vent system terminates horizontally (sideways).
- The vent terminates vertically, but the length of the horizontal portion of the vent run exceeds 75% of the vertical rise length. (e.g.- If the vertical vent height is 10 feet, the horizontal run is greater than 7-1/2 feet).
- Horizontal venting sections of the vent pipe must be installed with a downward slope from the appliance at a pitch of 1/4 inch per foot.
- The vent terminates below 5 feet of the vent connection on the unit.

Due to changes to Z83-8 2009 CSA2.6-2009, the use of single wall B-Vent is no longer permitted as an acceptable material when venting horizontally, this change covers both residential and commercial installations. All horizontally vented units manufactured after July of 2011 must be vented as a Category III Unit/Utility Heater in compliance with UL 1738 & ULS636.

Seal vent pipes with high temperature sealant and three (3) #8 sheet metal screws. Vent enclosed spaces and buildings according to the guidelines in this manual and applicable national, state, provincial and local codes.

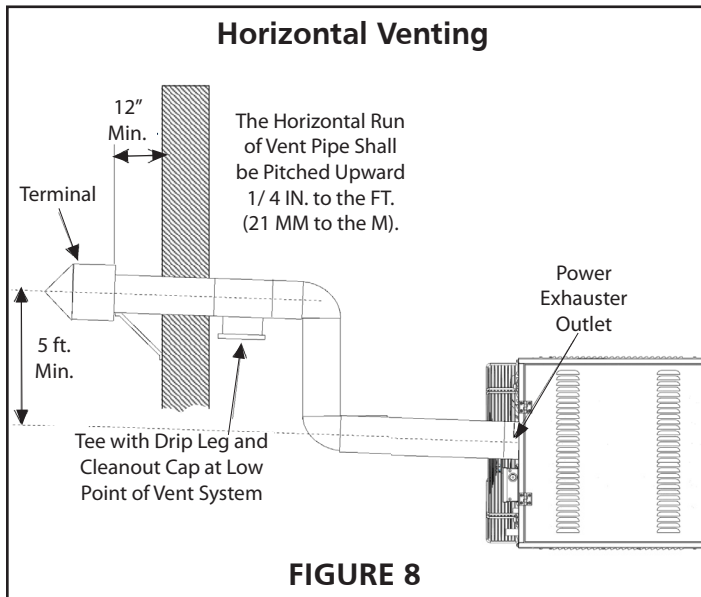
You must use venting approved for Category III applications, and manufactured by a listed vent system manufacturer. For single wall vent systems, one continuous section of double wall vent pipe may be used with the vent system to pass through a wall or barrier.

All horizontal Category III vents must be terminated with a listed vent cap.



Additional requirements for horizontal venting:

- Category III venting systems may NOT be common vented, and no other gas units are allowed to be vented into it.
- Vent must terminate a minimum of 3 feet (914mm) above any forced air inlet that is located within 10 feet.
- The bottom of the vent terminate must be located a minimum of 12 inches above grade level and must extend beyond any combustible overhang.
- When horizontally vented, minimum clearance for termination from any door, window, gravity air inlet, gas or electric meter, regulators, and relief equipment is 4 ft. (1.2m) for U.S. installations. Refer to NFPA 54/ANSI Z223.1 in the U.S.A. and CSA B149.1 Natural Gas and Propane Installation Code and .2 in Canada or with authorities having local jurisdiction. In Canada, vent termination must have a minimum 6 ft. (1.8 m) horizontal clearance from gas and electric meters and relief devices as specified in the Canadian B149.1, Natural Gas Installation Code.
- Never join two sections of double wall vent pipe within one horizontal vent system, as it is impossible to verify that inner pipes are completely sealed.
- For a vent termination located under an eave, the distance of the overhang must be at least 24". The clearance to combustibles above the exterior vent must be maintained at a minimum of 12". Consult the National Fuel Gas Code for additional requirements for eaves that have ventilation openings.
- For horizontal venting, the vent pipe shall be supported with hangers no more than 3ft.(1m) apart to prevent movement after installation.



COMBUSTION AIR REQUIREMENTS

Adequate facilities for supplying air for combustion and ventilation must be provided in accordance with the latest edition of section 5.3, Air for Combustion and Ventilation, of the National Fuel Gas Code, ANSI Z223.1, in the U.S.A., CSA B149.1 Natural Gas and Propane Installation Code, the National Standards of Canada or applicable provisions of local building codes.

All gas fired appliances require air to be used for the combustion process. In many buildings today, there is a negative indoor air pressure caused by exhaust fans, etc. If sufficient quantities of combustion air

are not available, the heater or another appliance will operate in an inefficient manner, resulting in incomplete combustion which can result in the production of excessive carbon monoxide.

Follow these guidelines and all applicable codes for all models prior to installing the combustion air duct work.

⚠WARNING: Sufficient combustion air must be supplied to the appliance at all times. Lack of combustion air may result in property damage, headaches, nausea, dizziness, asphyxiation, serious injury, or death.

GAS CONNECTIONS

⚠WARNING: Danger of explosion and fire. Improperly connected gas lines may result in serious injury and death, explosion, poisonous fumes, toxic gases, or asphyxiation. Connect gas lines in accordance to national, state, provincial, and local codes.

This heater burns natural gas or liquefied petroleum (LP) gas and is equipped with a regulator. The regulator is built into the gas valve. The maximum inlet pressure to this regulator is 20 in. W.C.. If gas line pressure exceeds 20 in. W.C., then an additional regulator must be installed before the heater/regulator to step down the pressure to a maximum of 20 in. W.C..

All field gas piping must be pressure/leak tested prior to operation. Never use an open flame. Use a soap solution or equivalent for testing.

You must follow these instructions exactly. If over-heating occurs or if gas supply fails to shut off, shut off the manual gas valve to the appliance before shutting off electrical supply.

⚠CAUTION: Gas lines should be purged of air as described in ANSI Z223.1 (NFPA 54) or CSA-B149.1– latest version. Installation of the piping must also conform with the local building codes, or in the absence of local codes, with the latest edition of the National Fuel Gas Code (NFPA 54). In Canada, installation must be in accordance with CSA-B149.1.

When leak testing the gas supply piping system, the appliance and its combination gas control must be isolated during any pressure testing in excess of 14" W.C. (1/2 psi). The unit should be isolated from the gas supply piping system by closing its field installed manual shut-off valve. This manual shut-off valve should be located within 6' of the heater.

Turn off all gas before installing appliance

NOTICE: The total input to the appliance must fall within +/- 5% of the rated input as indicated on the rating plate. Otherwise the heat exchanger may prematurely fail.

All piping installed must comply with local codes and ordinances or with National Fuel Gas Code, ANSI Z223.1 (NFPA 54), whichever takes precedence. When installing piping, the following requirements must be taken into consideration: Canadian installations must comply with the B149.1.2 Gas Code.

- Use new properly reamed black pipe free from chips.
- Apply a good quality pipe compound to all male threads prior to assembly. If LP gas is the fuel, ensure that pipe compound is resistant to LP gas. **Do not use Teflon™ tape.**

	Gas supply Connection	Gas supply Pressure min.	Gas supply Pressure max.	Manifold Pressure	Orifice Drill Size	# of Orifices	Consumption
	["]	[" W.C.]	[" W.C.]	[" W.C.]	["]		[CFH]
HSU200NG	1/2	7	20	4.5	0.110	6	190.5
HSU250NG	1/2	7	20	4.9	0.110	7	238.1
HSU300NG	1/2	7	20	1.73	0.138	9	285.7
HSU400NG	3/4	7	20	2.13	0.138	11	380.9

TABLE 5: Natural Gas Consumption

*Assumes an average heating value of 1050 BTU/SCF and a Specific Gravity of 0.60.

	Gas supply Connection	Gas supply Pressure min.	Gas supply Pressure max.	Manifold Pressure	Orifice Drill Size	# of Orifices	Consumption	
	["]	[" W.C.]	[" W.C.]	[" W.C.]	["]		[CFH]	[Gal/Hr. Propane]
HSU200NG	1/2	11	20	7.23	0.075	6	80.0	2.19
HSU250NG	1/2	11	20	7.23	0.075	7	100.0	2.74
HSU300NG	1/2	11	20	3.81	0.084	9	120.0	3.29
HSU400NG	3/4	11	20	4.74	0.084	11	160.0	4.38

TABLE 6: Propane Gas Consumption

*Assumes an average heating value of 2500 BTU/SCF and a Specific Gravity of 1.53.

- A sediment trap meeting the typical requirements of Figure 9 shall be installed in the line to the gas valve.
- A dedicated shutoff valve for the heater must be installed in the gas supply line.

Refer to **Table 5** for natural gas and **Table 6** for propane to determine the cubic feet per hour (CFH) required for the type of gas and size of unit to be installed. To determine the proper pipe diameter, use the CFH value and the length of pipe necessary. In the case where several units are serviced by the same main gas line, the total capacity (CFH) and length of main must be adequate to service all appliances downstream of this main.

- All piping must be installed in accordance with the requirements outlined in the National Fuel Gas Code ANSI/Z223.1 (latest edition) or CSA-B149.1 and B149.2. Support all gas supply piping with pipe hangers, metal strapping, or other suitable material. Do not rely on the heater to support the gas pipe.

⚠WARNING: Always use two (2) opposing wrenches to tighten mating pipe connections to prevent excessive torque on the gas valve and manifold pipe. Excessive torque can damage the valve and/or misalign the orifice, resulting in fire, explosion, serious injury, or death.

- When connecting gas supply lines, the length of the piping run from the gas meter to the heater must be considered in determining the pipe size to avoid excessive pressure drop.
- A drip leg should be installed in the vertical pipe run to the unit. In some localities, codes may require that a manual main shutoff valve and union (furnished by installer) be installed external to the unit. Union must be of the ground joint type. A drip leg should be readily accessible to permit cleaning and emptying. See Figure 9.

NOTICE: Leave a min of 4" clearance to the electrical connections box on the back of the heater to allow for access.

A 1/8" NPT plugged tap shall be installed immediately upstream of the gas supply connection to the heater. The purpose of this is to be able to check for proper gas pressure entering the heater.

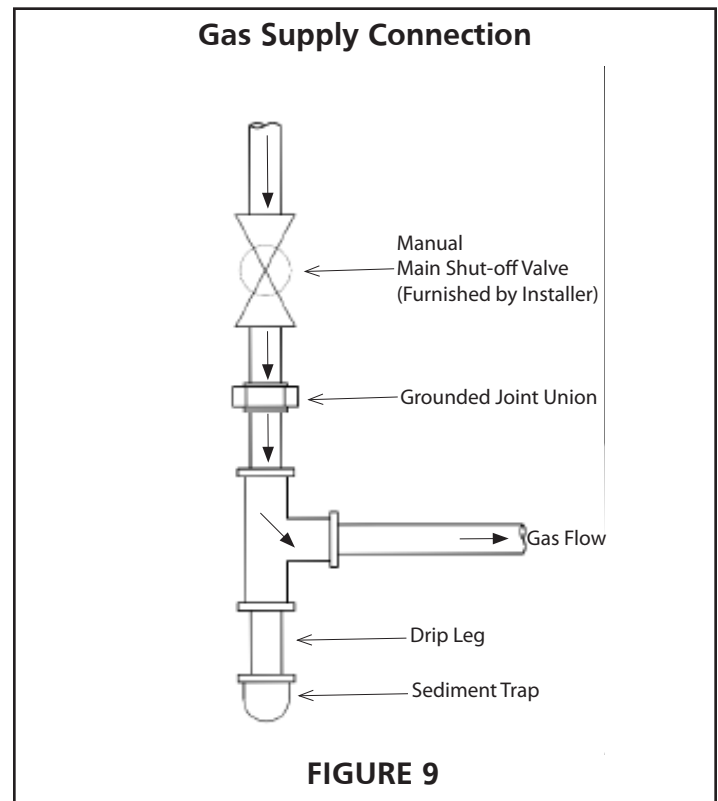


FIGURE 9

LEAK TESTING

⚠WARNING: Use a soap solution or equivalent for leak testing. Never test for leak with an open flame such as with matches or candles. Failure to comply could result in personal injury, property damage, or death.

- Always leak test final gas assembly for gas leaks according to the procedures outlined in NFPA 54 and all local codes and/or Standards.
- After gas piping is completed, carefully check all piping connections, (field and factory), for gas leaks.
- Due to the natural heating cycles and vibration of this unit it is recommended, as part of its annual maintenance, to check these connections for proper tightness and leak-check with a soap solution or other preferred means prior to putting into service.

For leak testing on pressures below 20 inches W.C.:

Before leak testing, close the field installed manual shut off valve shown on Figure 9 on the supply line to isolate the gas valve from the pressure.

NOTICE: All factory installed gas connections have passed an approved leak test.

For leak testing on pressures above 20 inches W.C.:

When leak testing with pressures above 20 inches W.C., the unit must be isolated from the supply pipe. Close the field installed manual shut off valve, disconnect the supply line to the unit, and temporarily cap the supply line for testing purposes.

⚠WARNING: Gas pressures to the appliance controls must never exceed 20 inches W.C.. Supply pressures greater than 20" W.C. can damage the controls, resulting in personal injury, property damage, or death.

NOTICE: In case emergency shutdown is required, shut down main gas valve and disconnect main power to unit. These devices should be properly labeled by the installer.

HIGH ALTITUDE OPERATION

WARNING



Explosion hazard. This heater must be converted by a trained gas installation and service personnel only. Failure to comply could result in personal injury, asphyxiation, death, and fire or property damage.

This Unit heater is factory configured for altitudes from 0 – 2,000 ft above sea level. Above 2000 ft. (610m), manifold pressure must be adjusted according to the following tables:

Model	Altitude 0-2000 ft. (0-610m)				Altitude 2000-3000 ft. (610-910mm)			
	Manifold Pressure		Input Rating		Manifold Pressure		Input Rating	
	[" W.C.]	[kPa]	[BTU/Hr]	[W]	[" W.C.]	[kPa]	[BTU/Hr]	[W]
HSU200NG	4.5	1.12	200,000	58,614	4.15	1.03	192,000	56,269
HSU250NG	4.9	1.22	250,000	73,268	4.52	1.12	240,000	70,337
HSU300NG	1.73	0.43	300,000	87,921	1.59	0.40	288,000	84,404
HSU400NG	2.13	0.53	400,000	117,228	1.96	0.49	384,000	112,539

Model	Altitude 3000-4000 ft. (910-1220m)				Altitude 4000-4500 ft. (1220-1350mm)			
	Manifold Pressure		Input Rating		Manifold Pressure		Input Rating	
	[" W.C.]	[kPa]	[BTU/Hr]	[W]	[" W.C.]	[kPa]	[BTU/Hr]	[W]
HSU200NG	3.81	0.95	184,000	53,925	3.65	0.91	180,000	52,753
HSU250NG	4.15	1.03	230,000	67,407	3.97	0.99	225,000	65,941
HSU300NG	1.46	0.36	276,000	80,887	1.40	0.35	270,000	79,129
HSU400NG	1.80	0.45	368,000	107,850	1.73	0.43	360,000	105,505

TABLE 7: Natural Gas Heating Values at Altitude

Model	Altitude 0-2000 ft. (0-610m)				Altitude 2000-3000 ft. (610-910mm)			
	Manifold Pressure		Input Rating		Manifold Pressure		Input Rating	
	[" W.C.]	[kPa]	[BTU/Hr]	[W]	[" W.C.]	[kPa]	[BTU/Hr]	[W]
HSU200NG	7.23	1.8	200,000	58,614	6.66	1.66	192,000	56,269
HSU250NG	7.23	1.8	250,000	73,268	6.66	1.66	240,000	70,337
HSU300NG	3.81	0.95	300,000	87,921	3.51	0.88	288,000	84,404
HSU400NG	4.74	1.18	400,000	117,228	4.37	1.09	384,000	112,539


Model	Altitude 3000-4000 ft. (910-1220m)				Altitude 4000-4500 ft. (1220-1350mm)			
	Manifold Pressure		Input Rating		Manifold Pressure		Input Rating	
	[" W.C.]	[kPa]	[BTU/Hr]	[W]	[" W.C.]	[kPa]	[BTU/Hr]	[W]
HSU200NG	6.12	1.52	184,000	53,925	5.86	1.46	180,000	52,753
HSU250NG	6.12	1.52	230,000	67,407	5.86	1.46	225,000	65,941
HSU300NG	3.22	0.80	276,000	80,887	3.09	0.77	270,000	79,129
HSU400NG	4.01	1.00	368,000	107,850	3.84	0.96	360,000	105,505

TABLE 8: Propane Gas Heating Values at Altitude

In case the manifold pressure is changed for this reason, the altitude label in the conversion kit must be completed and affixed to the unit:

This appliance was converted on _____ (day-month-year)
 for operation at ____ ft.(____m) altitude by _____
 (name and address of the organization making this conversion)
 which accepts the responsibility that this conversion
 has been properly made.
 Manifold pressure adjustment ____ W.C. Input rating ____
 Btu/hr

ELECTRICAL REQUIREMENTS

	<p>WARNING</p> <p>Shock hazard. Disconnect power supply before making wiring connections to prevent electrical shock and equipment damage. All appliances must be wired strictly in accordance with wiring diagram furnished with the appliance. Any wiring different from the wiring diagram could result in a hazard to persons and property.</p> <p>Ensure that the supply voltage to the appliance, as indicated on the rating plate, is not 5% greater/less than rated voltage.</p> <p>Any original factory wiring that requires replacement must be replaced with wiring material having a temperature rating of at least 221°F (105°C).</p>
---	--

- Installation of wiring must conform with local building codes, or in the absence of local codes, with the National Electric Code ANSI/NFPA 70 - Latest Edition. Unit must be electrically grounded in conformance to this code. In Canada, wiring must comply with CSA C22.1, Part 1, Electrical Code.
- Two copies of the unit wiring diagram are provided with each unit. One is located in the side access control compartment and the other is supplied in the literature packet. Refer to this diagram for all wiring connections.
- Make sure all multi-voltage components (motors, transformers, etc.) are wired in accordance with the power supply voltage.
- The power supply to the unit must be protected with a fused or circuit breaker switch, so that power can be turned off for servicing.

	Power Supply				
	[V]	[A]	[Hz]	[Ph]	[W]
HSU200NG	120	6.3	60	1	756
HSU250NG	120	6.3	60	1	756
HSU300NG	120	10	60	1	1,200
HSU400NG	120	10	60	1	1,200

TABLE 9: Electrical Specifications

External electrical service connections that must be installed include:

- Supply power connection (115, 208, 230, 460, or 575 volts).
- Connection of thermostats, or any other accessory control devices that may be supplied (24 volts).

All supply power electrical connections are made in the side access control compartment of the unit. The low voltage (thermostat and accessory control devices) can be wired to the terminals in the side access control compartment. Refer to the wiring diagram for the terminal location of all low voltage wiring.

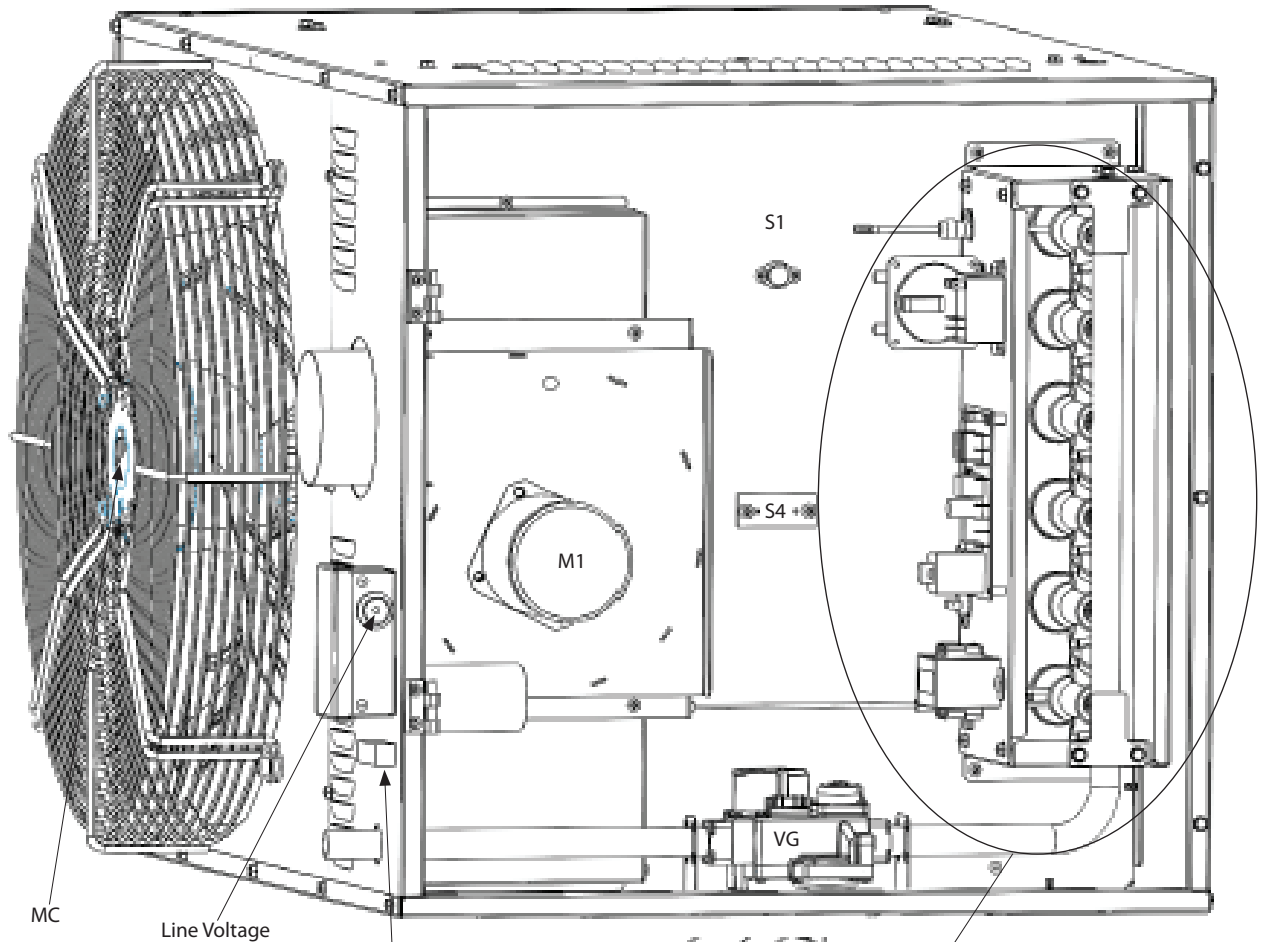
NOTICE: These unit heaters use a direct spark ignition system. There is no pilot necessary as the spark lights the main burner as the gas valve is turned on. The direct spark ignition control board emits radio noise during burner ignition. The level of energy may be enough to disturb a logic circuit in a microprocessor controlled thermostat. It is recommended that an isolation relay be used when connecting the unit heater to a microprocessor controlled thermostat. Select circuit protection and wire size according to the unit rating plate. Remove electrical junction box cover and connect wiring through knockout on the junction box located on the side of the heater. Refer to heater wiring diagram for connection information. Use a wire for line power connections with proper section size according to the electrical power data indicated in **Table 9** and its length. Make sure to connect line power to wires located in the external electrical junction box behind junction box cover. **DO NOT CONNECT LINE POWER TO THERMOSTAT TERMINAL STRIP ON OUTSIDE OF HEATER.**

Electrically ground the unit in accordance with local codes or in the absence of local codes, in accordance with the current National Electrical Code (ANSI/NFPA No. 70) in the USA, and in Canada with the current Canadian Electrical Code, Part 1 CSA C22.1.

Un-insulated ground wire must be wrapped in electrical tape to avoid damage to the electrical system.

- Make line voltage connections as shown in Figure 10. Connect field wiring as shown on wiring diagram on unit. Also, refer to typical diagram in this manual.
- To use the blower for air circulation only, your thermostat must have a "fan only" or fan selection setting. In case your thermostat has this option, an additional wire should be run to the "⚡" terminal on the thermostat connection block. See wiring schematic in Figure 11 .

Main Components



MC

Line Voltage

Thermostat
Wiring Connector
on Heater

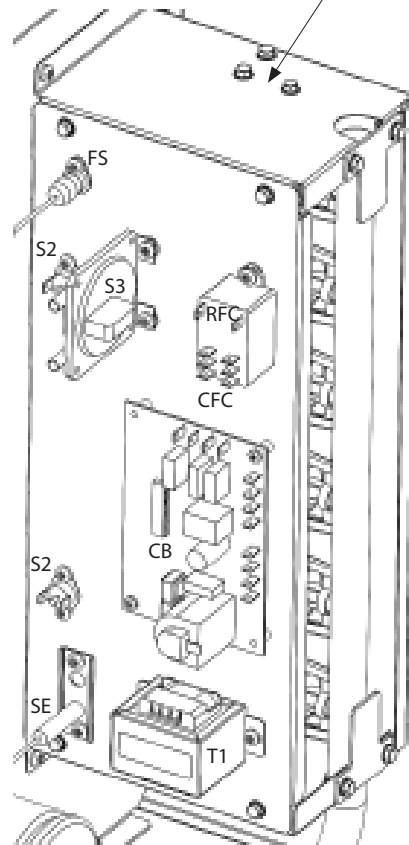
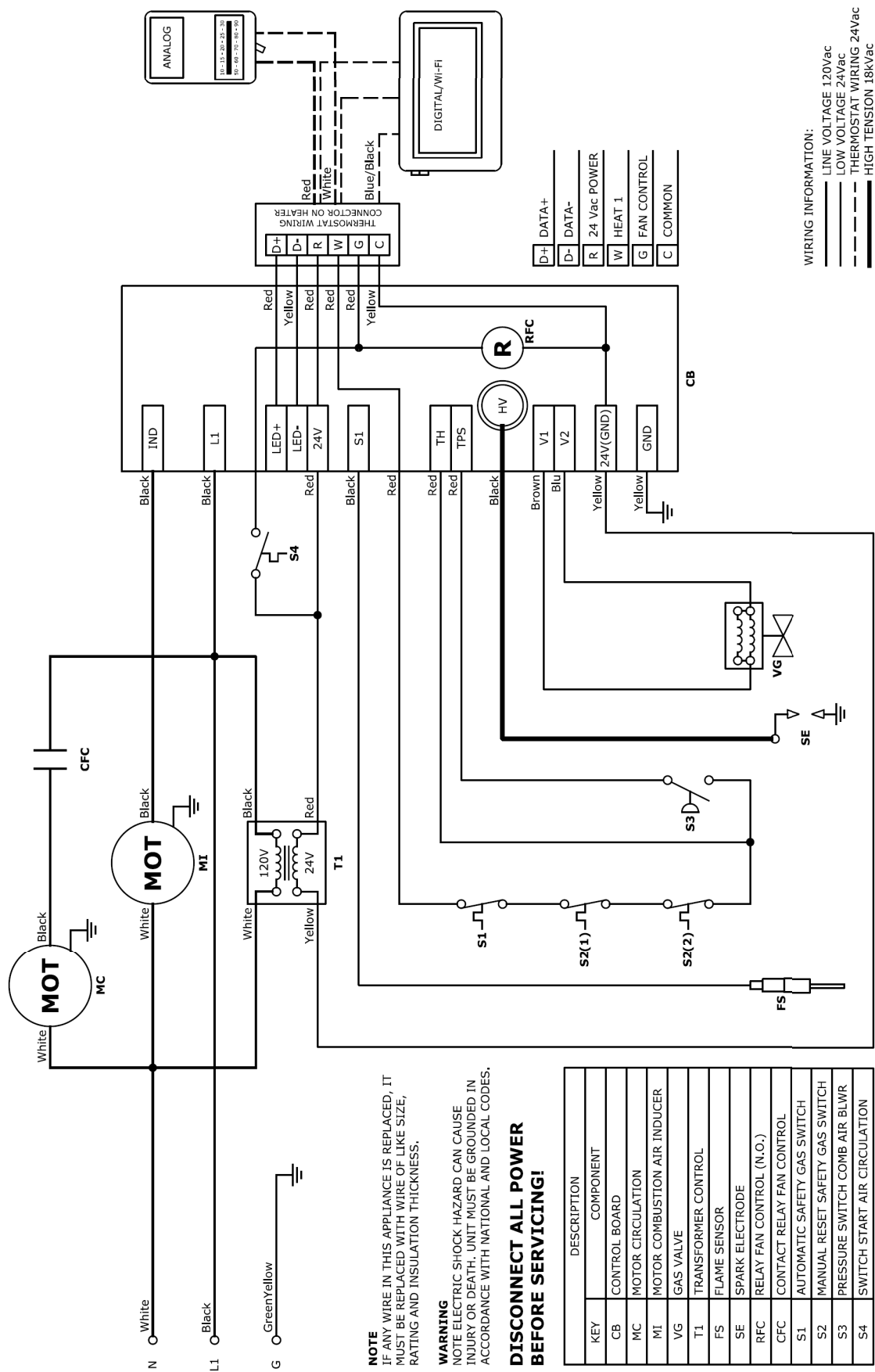


FIGURE 10

Internal Wiring Diagram



WIRING INFORMATION:
 — LINE VOLTAGE 120Vac
 - - - LOW VOLTAGE 24Vac
 - - - THERMOSTAT WIRING 24Vac
 ——— HIGH TENSION 18kVac

D+	DATA+
D-	DATA-
R	24 Vac POWER
W	HEAT 1
G	FAN CONTROL
C	COMMON

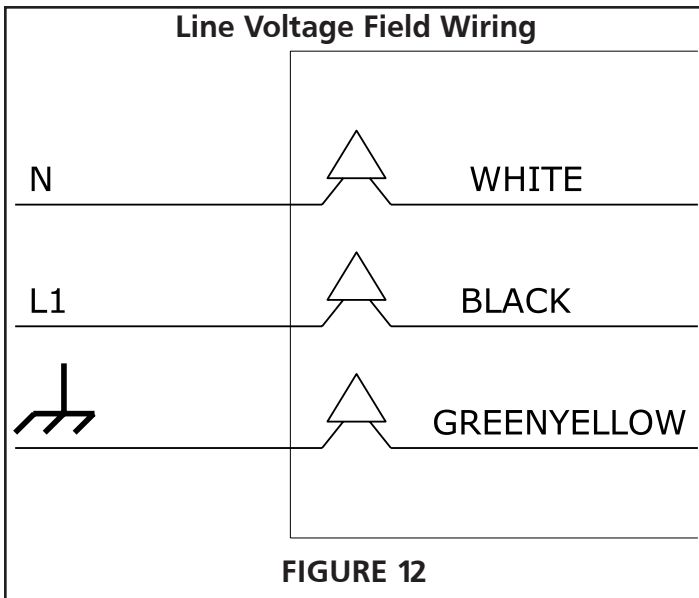
NOTE
 IF ANY WIRE IN THIS APPLIANCE IS REPLACED, IT MUST BE REPLACED WITH WIRE OF LIKE SIZE, RATING AND INSULATION THICKNESS.

WARNING
 NOTE ELECTRIC SHOCK HAZARD CAN CAUSE INJURY OR DEATH. UNIT MUST BE GROUNDED IN ACCORDANCE WITH NATIONAL AND LOCAL CODES.

DISCONNECT ALL POWER BEFORE SERVICING!

KEY	DESCRIPTION	COMPONENT
CB	CONTROL BOARD	
MC	MOTOR CIRCULATION	
MI	MOTOR COMBUSTION AIR INDUCER	
VG	GAS VALVE	
T1	TRANSFORMER CONTROL	
FS	FLAME SENSOR	
SE	SPARK ELECTRODE	
RFC	RELAY FAN CONTROL (N.O.)	
CFC	CONTACT RELAY FAN CONTROL	
S1	AUTOMATIC SAFETY GAS SWITCH	
S2	MANUAL RESET SAFETY GAS SWITCH	
S3	PRESSURE SWITCH COMB AIR BLWR	
S4	SWITCH START AIR CIRCULATION	

FIGURE 11



- Connect wires together with UL approved wire connectors.

NOTICE: A UL Listed switch may be installed in the 2x4 junction box for use as a service disconnect.

CAUTION: Route the field supplied power wires so that they do not come in contact with the flue wrapper or venter housing. These hot surfaces may damage the wire's insulation, resulting in damage to the unit.

THERMOSTAT LOCATION

The location of the thermostat should be determined by the desired heating requirements and be mounted on an inside wall five (5) feet above the finished floor. Locate the thermostat in a conspicuous location, away from where it could be influenced by heat from the unit or other sources, as this may cause the unit to short cycle. Care should be given to locate the thermostat away from drafts or frequently opened doors. To prevent drafts inside the wall from affecting the thermostat's performance, plug hole for the wire with insulation or suitable caulk. For further information, see the accompanying instructions with the thermostat.

WARNING: Electric shock hazard. Can cause injury or death. Do not use this heater if any part has been under water. Immediately call a qualified service technician to inspect the furnace and to replace any part of the control system and any gas control which has been under water. Before attempting to perform any service or maintenance, turn the electrical power to unit OFF at disconnect switch(es). Unit may have multiple power supplies.

START-UP OPERATION

UNIT START-UP

WARNING: Improper installation, adjustment, alteration, service, or maintenance can cause property damage, serious injury, or death. This heater must be installed and serviced by a trained gas installation and service personnel only. During heater startup ensure that building is well ventilated.

CAUTION: Shock Hazard. Before attempting to perform any service or maintenance, turn electrical power to unit OFF at disconnect switch. During the first unit startup, an odor and, perhaps, some vapor will come from the heater. This is the gasket binding material emitting this odor and/ or vapor. After approximately 20 minutes, this odor will disappear and not occur again. During these 20 minutes it is recommended to ventilate the room as much as possible (open doors, windows, turn on any fans).

FIELD WIRING SUPPLY VOLTAGE

Before proceeding with electrical connections, ensure that the supply voltage, frequency, phase, and current capacity meet the requirements specified on the rating plate. A dedicated line voltage supply with properly sized wire should run directly from the main electrical panel to the heater.

CAUTION: The power supply to the heater must be within +/- 5% of the voltage rating as indicated on the rating plate of the appliance. If input power does not meet these specifications, contact your utility company.

- An electrical service disconnect must be provided at the furnace location. A 2 x 4 junction box can be mounted directly to the unit panel utilizing the provided 1/2" knock-out. If conditions do not allow for this, locate the service disconnect not more than 5 feet away from the service access panel.
- The main electrical supply enters at the rear of the heater utilizing 1/2" electrical knock-out. When routing the electrical supply conduit to the unit, ensure that it does not interfere or obstruct the heater's service access panel.
- Unit comes with three wire leads to connect the main power supply. Connect the hot, neutral, and ground wires as shown in the field wiring diagram. When routing wires through the knockout, use a UL Listed bushing or chase nipple to prevent damage to the wire insulation. When operating this unit as a sealed combustion appliance, the cabinet opening to the junction box must be sealed air tight using either a UL approved bushing or a non-reactive UL approved sealant to bushing.

WARNING: Edges of sheet metal holes may be sharp. Use gloves as a precaution when routing wires.

Pre-Start Up Checks

Verify that the installation conforms to all of the specifications of the manual, as well as with local, state, national, and provincial codes. In absence of local codes, the unit heater must be installed according to the current National Fuel Gas Code ANSI Z223.1 (NFPA 54). In Canada, the installation must conform to the current National Standard of Canada CSA-B149 Sections 1 & 2.

Prior to starting up the unit, verify that:

- The gas type listed on the rating label matches that of your application.
- The gas connections have been purged of air and properly leak tested.
- The voltage type and frequency listed on the rating label matches that of your application.
- The unit is properly grounded as per the National Electrical Code, ANSI/NFPA 70 or Canadian Electrical code CSA C22.1 Part 1.
- The unit is properly mounted to a permanent structure able to bear the weight of the unit.

- The proper mounting height is observed for the application.
- All clearance to combustibles distances or service clearances are maintained.
- The unit is properly isolated or installed to prevent excessive vibration.
- The unit is level horizontally.
- Venting is properly installed in accordance with this manual and any applicable codes.
- Combustion air supply is sufficient to support proper operation at all times.

See Annex 1 for a start up and performance check list to fill for each unit.

Verify Proper Inlet Pressure

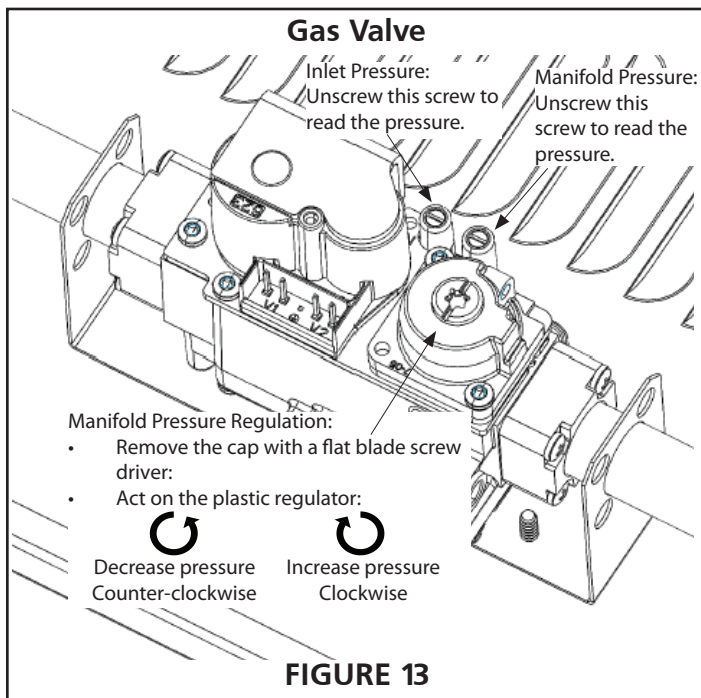
⚠WARNING: Before starting up the unit, smell all around the unit heater for gas. Be sure to smell next to the floor because some gas is heavier than air and will settle on the floor.

When turning the gas shut off valve, only use your hand. Never use tools to turn the knobs, as it may damage the valve resulting in a fire or explosion. If the knob is stuck, do not try to repair it.

Contact a qualified service technician or your local gas company.

To verify the proper inlet pressures, follow the following steps:

1. Turn off the gas supply at the manual gas shut off valve.
2. Unscrew the screw inside the inlet pressure hose connector. See Figure 13.
3. Turn on the gas supply at the manual gas shut off valve.
4. Turn on the electrical power to the unit heater.
5. To light the main burners, set the room thermostat to a point above room temperature.



NOTICE: This unit heater is equipped with an ignition device, which automatically lights the burner. This unit heater cannot be lit manually. Do not try to light the burner by hand.

The minimum and maximum inlet gas supply pressure are indicated in Table 5 and in Table 6.

Verify minimum inlet gas supply pressure:

6. Turn on all other gas appliances that are on the same supply line. If the other gas appliances have multiple inputs, set it to the maximum rating.
7. Observe the pressure rating on the pressure gauge.

Verify maximum inlet gas supply pressure:

8. Turn off all other gas appliances on the same supply line.
9. Observe the pressure reading on the pressure gauge.

IMPORTANT: If the inlet gas supply pressure is not within the minimum and maximum range as shown on the rating plate, contact your gas supplier.

Removing pressure gauge from inlet port on gas valve:

10. Set thermostat or other control device to the lowest set point.
11. After heater has completed the post-purge cycle, turn off the electrical power to the unit heater.
12. Turn off the gas supply at the manual gas shut off valve.
13. Remove the pressure gauge tube.
14. Close the screw inside the inlet pressure hose connector.
15. Leak check using a soap solution or equivalent method as described in ANSI Z223.1 (NFPA 54).

Verify Manifold Pressure

Before starting up the unit, smell all around the unit heater for gas. Be sure to smell next to the floor because some gas is heavier than air and will settle on the floor.

When turning the gas shut off valve, only use your hand. Never use tools to turn the knobs, as it may damage the valve resulting in a fire or explosion. If the knob is stuck, do not try to repair it, contact a qualified service technician or your local gas company.

To verify the proper manifold pressure, follow the following steps:

1. Turn off the electrical power to the unit heater.
2. Unscrew the screw inside the manifold pressure hose connector (see Figure 13).
3. Connect the pressure gauge tube and manometer.
4. Turn on the electrical power to the unit heater.
5. To light the main burners, set the room thermostat to a point above room temperature.

NOTICE: This unit heater is equipped with an ignition device, which automatically lights the burner. This unit heater cannot be lit manually. Do not try to light the burner by hand.

6. After the unit has successfully ignited, wait five minutes prior to taking any readings. The unit heater must be in a steady state of operation prior to taking a manifold pressure reading.
7. While waiting for the unit to stabilize, observe the characteristics of the flame. The flame should be stable and should not lift from any burner. The burner color should be light blue, and not create excessive noise.
8. After five minutes, observe the pressure rating on the pressure gauge.

The target manifold gas supply pressure is indicated in Table 5 and Table 6 :

NOTICE: Manifold pressure of the heater is pre-set at the factory. No adjustment should be necessary.

During the verification process, a tolerance of +/- 5% of the full scale is acceptable due to varying atmospheric conditions.

If manifold pressure is outside of this tolerance, then an adjustment may be necessary.

- Set the adjustment screw until reach the pressure indicated in the rating plate.

Removing pressure gauge from manifold port on gas valve:

- Set thermostat or other control device to the lowest set point.
- After heater has completed the post-purge cycle, turn off the electrical power to the unit heater.
- Turn off the shut-off gas valve.
- Remove the pressure gauge tube and the manometer.
- Close the screw inside the manifold pressure hose connector (see Figure 13).
- Turn on the shut-off gas valve.
- Set thermostat or other control device to the highest set point.
- Wait until the unit starts.
- Leak check the manifold pressure hose connector using a soap solution or equivalent method as described in ANSI Z223.1 (NFPA 54).

Prior to Leaving Job Site

Prior to leaving the job site, verify that:

- Service access door is properly secured to the unit.
- The heater is clear of any objects that would interfere with the proper air circulation or that violate the listed clearance to combustibles.
- Air directional louvers are adjusted for desired air flow and are not shut or adjusted beyond 60° from perpendicular to the face of the unit.
- Manual gas shut off is ON.
- Electrical power is ON.
- Thermostat is set to desired temperature.
- Properly dispose of all packaging materials.
- Check to be sure you have all of your tools.
- Leave the Installation, Operation, Maintenance and Parts Manual to the owner or end user.

UNIT WORKING SEQUENCE

⚠ WARNING: FOR YOUR SAFETY READ BEFORE LIGHTING BEFORE LIGHTING smell all around the appliance area for gas. Be sure to smell next to the floor because some gas is heavier than air and will settle on the floor.

⚠ WARNING: This appliance does not have a pilot ignition. It is equipped with an ignition device which automatically lights the burner. Do not attempt to light the system by hand.

Start-Up Sequence

START-UP / HEAT MODE sequence

Operation steps		SHUT-OFF MODE sequence	Diagnostic LED
Call for heat			
Module reset and self check	4 s		1 Flash
Combustion fan on			
Pressure switch contact close			
Pressure switch change time	5 s		
Pre-Purge delay (Tpp)	30 s		
Gas valve ON			
Spark for ignition	10 s		
Flame detecting			
Post-Purge delay		30 s	

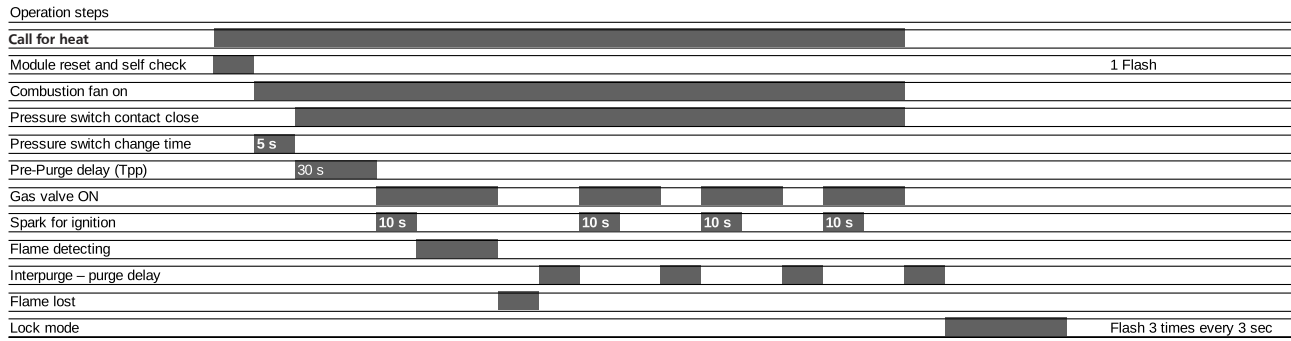
Start-Up Flame Failure Sequence

START-UP FLAME FAILURE sequence (Multy Try Mode; 3 attempts)

Operation steps		SHUT-OFF MODE sequence	Diagnostic LED
Call for heat			
Module reset and self check	4 s		1 Flash
Combustion fan on			
Pressure switch contact close			
Pressure switch change time	5 s		
Pre-Purge delay (Tpp)	30 s		
Gas valve ON			
Spark for ignition	10 s	10 s	10 s
Flame detecting			
Interpurge – purge delay			
Lock mode			Flash 3 times every 3 sec

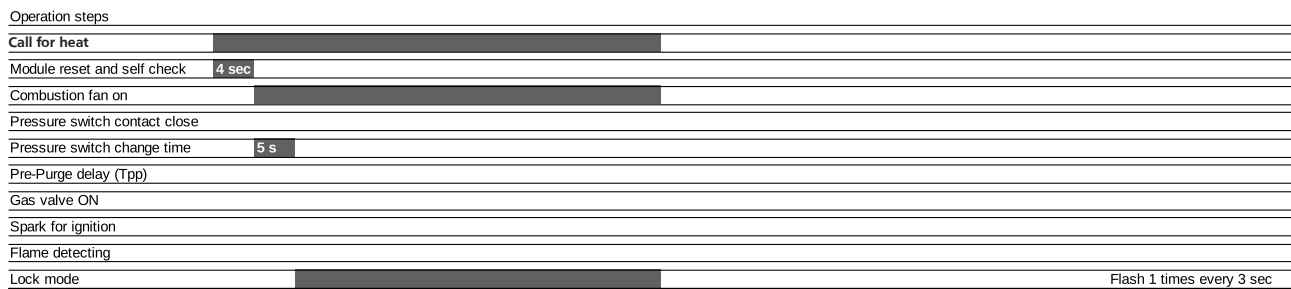
Flame Lost Sequence

FLAME LOST sequence (Multy Try Mode)



Start-Up Failed Pressure Switch Condition Change Sequence

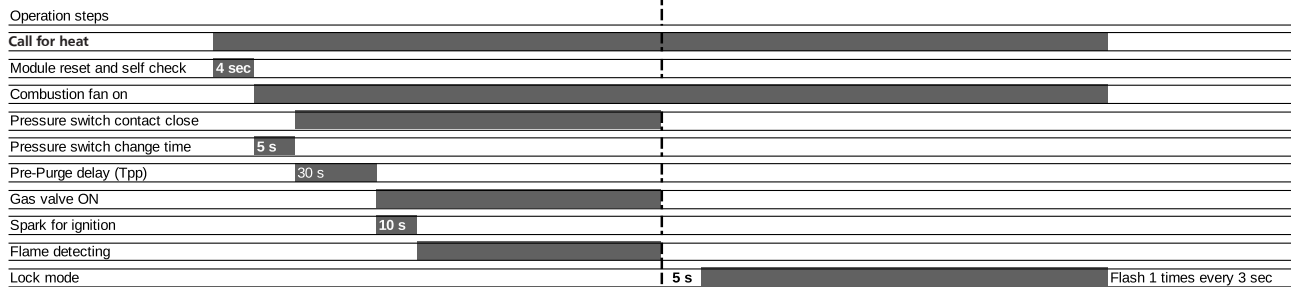
START-UP FAILED PRESSURE SWITCH CONDITION CHANGE sequence



Failed Combustion Air Flow Monitoring Sequence

FAILED COMBUSTION AIR FLOW MONITORING sequence

PRESSURE SWITCH FAIL DOWN



SEQUENCE OF OPERATION

- STOP!** Make sure you have read and understand all of the safety information regarding the operation of this gas appliance. Any and all service should be performed by a licensed installer
- Set the thermostat to lowest setting.
- Turn off all electrical power to appliance.
- This appliance is equipped with an ignition device which automatically lights burner. **DO NOT** attempt to light the burners manually.
- There is a main shut-off valve upstream of the unit. Open it. (See Figure 9 on Page 11)
- Wait five minutes to clear out any gas. If you then smell gas, **STOP!** Immediately call your gas supplier from a neighbor's phone. Follow the gas supplier's instructions. If you do not smell gas go to next step.

- Turn on electrical power to unit.
- Set the thermostat to desired setting.

⚠ WARNING: Should overheating occur, or the gas supply control system fail to shut off the flow of gas, shut off the manual gas valve to the utility heater before shutting off the electrical supply

SHUTDOWN PROCEDURES

- Set thermostat to lowest level.
- Turn off all electrical power to unit if service is to be performed.
- Turn manual shut off knob upstream the unit. Do not force.

MAINTENANCE

⚠CAUTION: Turn off gas and electrical power to unit before performing any maintenance or service operations on this unit. Remember to follow lighting instructions when putting unit back into operation after service or maintenance. If any of the original wire as supplied with the appliance must be replaced, it must be replaced with wiring material having a temperature rating of at least 105 C. Do not use this appliance if any part has been under water. Immediately call a qualified service technician to inspect the appliance and replace any gas control which has been under water.

- Check gas tightness of the safety shut off valves on at least an annual basis.
- To check gas tightness of the safety shut off valves, turn off the manual valve upstream of the appliance combination control. Remove the hex head plug on the inlet side of the combination control and connect a manometer to that tapping.
- Turn the manual valve ON to apply pressure to the combination control. Note the pressure reading on the manometer, then turn the valve off. Any loss of pressure indicates a leak. If a leak is detected, use a soap solution to check all threaded connections. If no leak is found, combination control is faulty and must be replaced before putting appliance back in service.

Should maintenance be required, perform the following inspection and service routine:

BURNERS

- Periodically examine burner flames for proper appearance during the heating season.
- Before each heating season examine the burners for any deposits or blockage that may have occurred.

Clean burners as follows:

1. Turn off both electrical and gas supplies to unit.
2. Disconnect gas supply piping, high tension and sensor leads. Remove gas manifold. Remove burner tray.
3. Clean burners as necessary. Make sure that burner heads line up properly to ensure flame crossover. Check spark gap on electrode and adjust if required. The gap should be between 0.110 inch and 0.140 inch (2.79mm to 3.56mm). The gap may be checked with appropriately sized twist drills or feeler gauges.
4. Reinstall burner tray, gas manifold, high tension and sensor leads. Reconnect gas supply piping.
5. Restore electrical power and gas supply. Follow lighting instructions to light unit. Check burner flame.

FLUE PASSAGEWAY AND FLUE BOX

The flue passages and flue box should be inspected and cleaned prior to each heating season. The sequence of operation should be as follows:

1. Turn off both electrical and gas supply to unit.
2. Disconnect combustion air blower wiring.
3. Remove screws securing flue box to unit. Remove flue box. If necessary, remove blower assembly from flue box. Clean flue box with wire brush.
4. Remove turbulator retention bracket and turbulators. Clean turbulators with wire brush.
5. Remove burners as described in section "BURNERS" section.
6. Clean tubes with a wire brush.
7. Reassemble unit. The combustion air and flue box gaskets should also be replaced during reassembly.
8. Restore electrical power and gas supply. Follow lighting instructions to light unit. Check operation of unit.

COMBUSTION AIR BLOWER

Under normal operating conditions, the combustion air blower should be checked and cleaned prior to the heating season with the power supply disconnected. Use a small brush to clean blower wheel.

ELECTRICAL

1. Check all wiring for loose connections.
2. Check for correct voltage at unit (unit operating).
3. Check amperage draw.

FLUE AND CHIMNEY

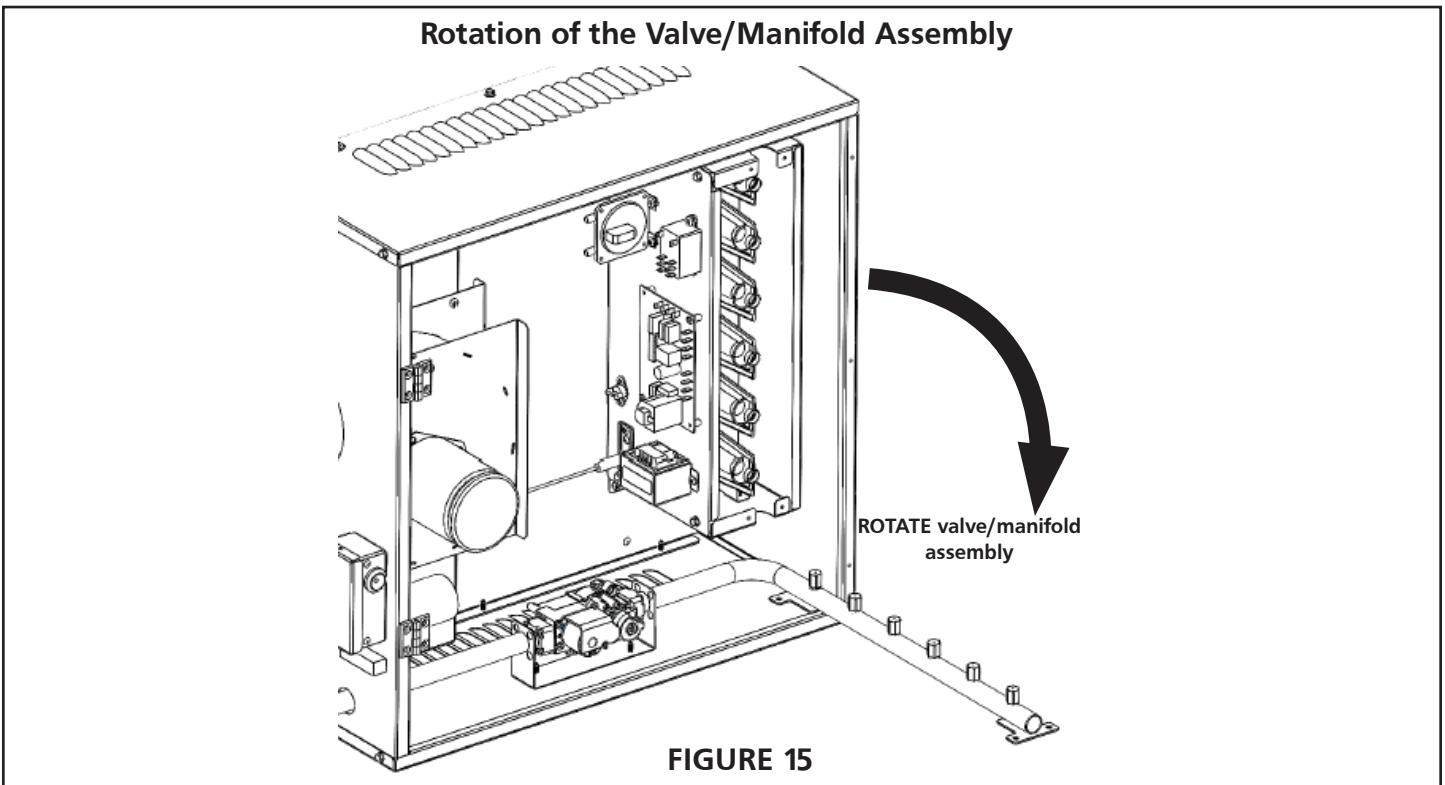
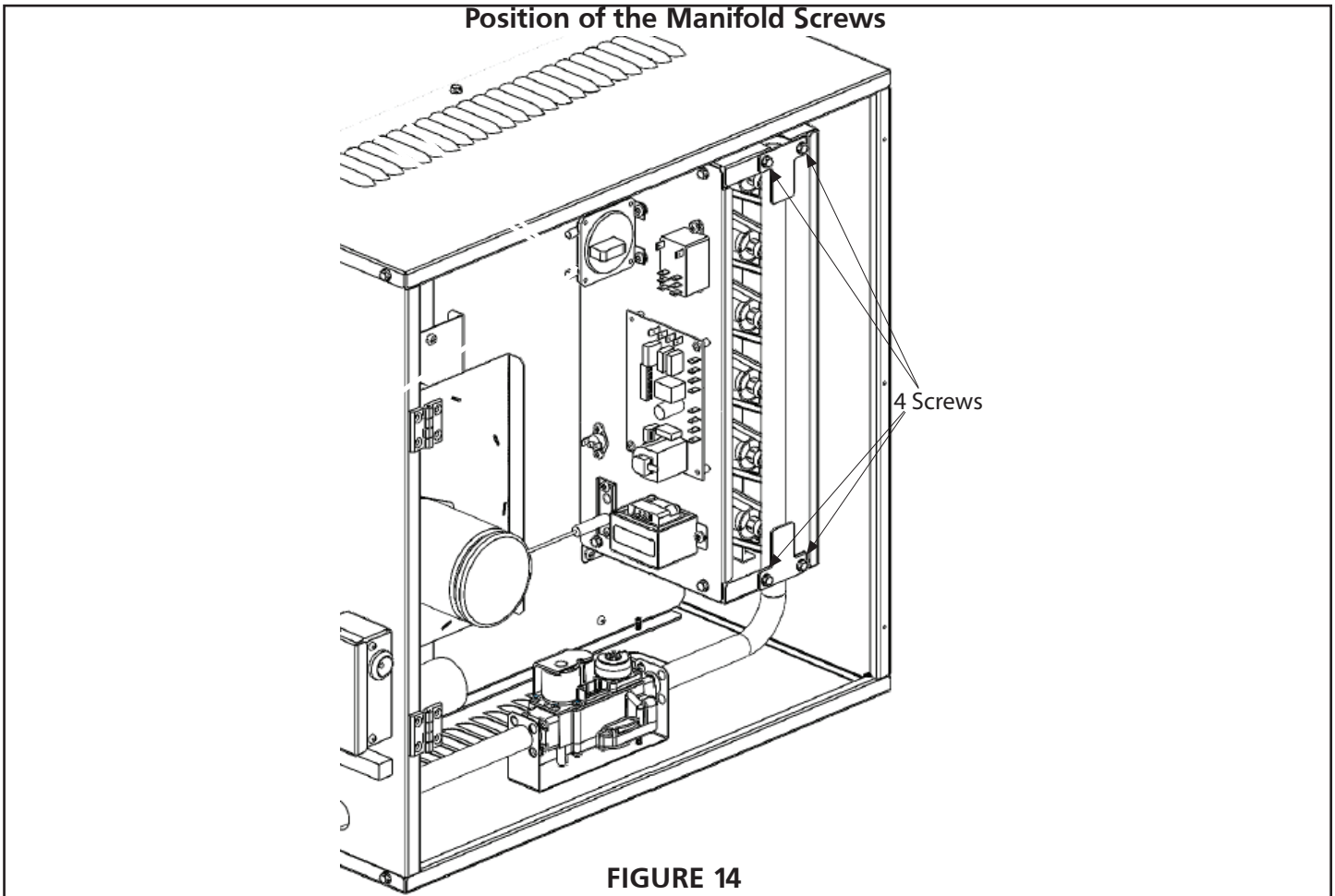
Check all vent and vent connector joints for tightness. Ensure that connections are sealed and that there are no blockages.

OTHER CHECKS

1. Inspect the area near the unit to be sure that there is no combustible material located within the minimum clearance requirements listed in this manual. Under no circumstances should combustible material be located within the clearances specified in this manual. Failure to provide proper clearance could result in personal injury or equipment damage from fire.
2. Complete the appropriate unit startup procedure as given in the Operation section of this Manual (see lighting instructions on the unit rating plate.)
 - Check the burner adjustment.
 - Also check all gas control valves and pipe connections for leaks.
3. Check the operation of the automatic gas valve by lowering the setting of the thermostat, stopping the operation of the gas unit heater. The gas valve should close tightly, completely extinguishing the flame on the burner.
4. If combustion air is room supplied, ensure that a 12 inch clearance is maintained all around the inlet openings.
5. Check and test functions of all safety devices supplied with the heater (see UNIT START-UP and UNIT WORKING SEQUENCE sections).

FUEL CONVERSION INSTRUCTIONS

The heater is standard manufactured for operation with natural gas. In case of use with LP /propane gas, use the conversion orifices supplied with the unit. Follow the instructions below.



⚠ WARNING: Explosion Hazard



TURN OFF THE GAS SUPPLY TO THE HEATER BEFORE PERFORMING ANY SERVICE OR MAINTENANCE.

FAILURE TO FOLLOW THESE INSTRUCTIONS WILL RESULT IN DEATH, INJURY OR PROPERTY DAMAGE.

⚠ WARNING: Electrical Shock Hazard



UNPLUG THE ELECTRICAL CORD FROM THE OUTLET BEFORE PERFORMING ANY SERVICE MAINTENANCE.

FAILURE TO FOLLOW THESE INSTRUCTIONS WILL RESULT IN DEATH, INJURY OR PROPERTY DAMAGE.

The electrode and sensor are not adjustable. DO NOT change location or position as part of this conversion kit.

⚠ WARNING ⚠

THIS CONVERSION KIT SHALL BE INSTALLED BY A QUALIFIED SERVICE AGENCY IN ACCORDANCE WITH THE MANUFACTURER'S INSTRUCTIONS AND ALL APPLICABLE CODES AND REQUIREMENTS OF THE AUTHORITY HAVING JURISDICTION. IF THE INFORMATION IN THESE INSTRUCTIONS IS NOT FOLLOWED EXACTLY, A FIRE, EXPLOSION OR PRODUCTION OF CARBON MONOXIDE MAY RESULT CAUSING PROPERTY DAMAGE, PERSONAL INJURY OR LOSS OF LIFE. THE QUALIFIED SERVICE AGENCY PERFORMING THIS WORK ASSUMES RESPONSIBILITY FOR THE PROPER CONVERSION OF THIS APPLIANCE WITH THIS KIT.

Step 1

⚠ CAUTION: THE UNIT MUST NOT BE CONNECTED TO EITHER THE GAS SUPPLY OR THE ELECTRICAL POWER SUPPLY, BEFORE PROCEEDING WITH CONVERSION.

Step 2

Remove and retain the four screws holding the manifold on to the burner box (Figure 14). Rotate the valve/ manifold assembly, away from the burners (Figure 15). The valve/manifold assembly holds the orifices. This will allow access to the orifices on the manifold.

Step 3

Remove and discard the adjustment spring cap from gas valve/regulator with a flat blade screw driver by turning the screw counter-clockwise.

Step 4

Remove and discard the orifices from the manifold with using a 1/2 " open end wrench. Turn them counter-clockwise to remove. Take the new orifices from the conversion kit and before installing, confirm that the number stamped on the side of the orifice matches as indicated in **Table 1**. If it does not, immediately contact Heatstar, Inc. for the correct kit. If they are the correct orifices, install them in the manifold using caution not to cross thread.

Step 5

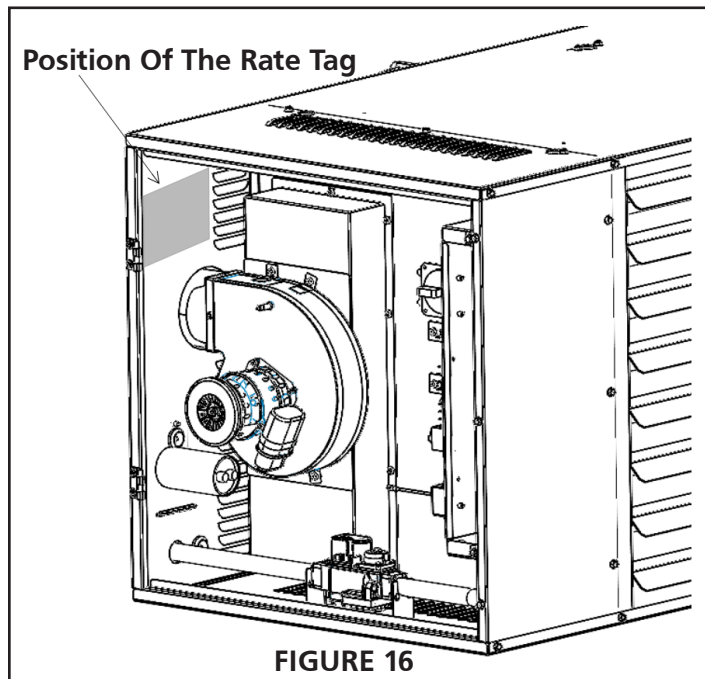
Rotate the valve/ manifold assembly back up into the burner box, making sure that all the orifices are indexed into the burners and are not caught on the locating ring on the back of each burner. Secure the manifold to the burner box with the four screws removed in step 2.

Step 6

Following the instructions Electrical Requirements and Gas Connections Sections (making sure to leak check all connections with soapy water) to reinstall the heater.

Step 7

Take the rate tag from the kit and stick it over the existing portion of the rate label. This tag is preprinted with all the correct information for the converted heater. See Figure 16.



Step 8

Remove the converted information tag from the kit and fill in the information. Then place this tag below the updated rating tag on the unit.

Step 9

Replace any panels and operate heater following all warnings/cautions and instructions in the operator's manual and labels.

TROUBLESHOOTING GUIDE

NOTICE: Bypassing any switch is intended for testing purposes only. Do not leave switch bypassed during normal operation or the heater's built-in safety mechanisms will be compromised.

Symptom	Possible Cause	Corrective Action
The draft inducer motor does not turn on	<ol style="list-style-type: none"> The air circulating fan does not turn on immediately. The heater does not have 120 VAC at the main power connection. There isn't 24 VAC across the 'R' and 'C' terminals There isn't 24 VAC across the 'W' and 'C' terminals. The control board is not sending 120 VAC to the draft inducer motor. The draft inducer impeller is obstructed or locked up. After checking the above, the draft inducer impeller is not obstructed or locked up. The pressure switch is stuck in the closed position. The two flame roll out switches and the tube temperature limit switch are closed. The two flame roll out switches and the tube temperature limit switch are not closed. 	<ol style="list-style-type: none"> Limit switch is open or pressure switch is stuck closed. Find faulty switch and repair. Find source of electrical problem. Check internal transformer. Repair thermostat or thermostat wiring. Check power supply, and if there is power, replace control board. Remove obstruction. The draft inducer motor is faulty and must be replaced. Pressure switch is faulty. Replace control board. Reset or replace faulty limit switch.
The pressure switch indicator light does not turn on	<ol style="list-style-type: none"> The inlet or outlet of the heater is obstructed or the vent exceeds the recommended lengths. Loose wiring or restrictions in the hose connection to the pressure switch. Replace pressure switch after verifying: <ul style="list-style-type: none"> Heater, blower, and venting are clean and free of obstructions. The allowable vent length is not exceeded. There is not a negative pressure experienced at the area of intake (e.g., high winds, attic space, tightly sealed building). 	<ol style="list-style-type: none"> Remove obstruction or correct vent lengths. Replace wiring or hose connections. Replace pressure switch.
The control board does not send spark to the electrode	<ol style="list-style-type: none"> The electrode appears to be physically damaged. There is no continuity by temporarily disconnecting the igniter wire from the control board. There is continuity by temporarily disconnecting the igniter wire from the control board. 	<ol style="list-style-type: none"> Replace electrode. Replace electrode. Replace control board.
The gas valve does not open	<ol style="list-style-type: none"> The inlet pressure to the heater is not within the minimum and maximum allowable range as per the rating plate. The wires to and from the gas valve are not properly connected. The voltage on V1 and V2 terminals on control board during trial for ignition is not 24 VAC during the spark sequence. The voltage on V1 and V2 terminals on control board during trial for ignition is 24 VAC during the spark sequence. 	<ol style="list-style-type: none"> Adjust inlet pressure. Correct wiring. Check for flash codes on the control board. Replace the control board. Gas valve is faulty. Replace the gas valve.
The burners do not ignite	<ol style="list-style-type: none"> The gas supply valve mainstream to the unit heater is not open. The inlet pressure to the heater is not within the minimum and maximum allowable range as per the rating plate. The gas lines are not purged of all air. The heater's gas type does not match the gas supplied. The manifold pressure doesn't match with the specified pressures per the rating plate. Check control board for flash codes. 	<ol style="list-style-type: none"> Turn on gas supply line. Adjust inlet pressure. Purge gas lines. Contact local representative or factory. Adjust pressure or replace gas valve. Consult factory.

Symptom	Possible Cause	Corrective Action
The burners do not stay lit	<ol style="list-style-type: none"> The burners light and then shut off immediately (within 1-2 seconds). The burner does not stay on for approximately 8-10 seconds, and then shut off. The heater is not properly grounded. The heater's polarity is not correct. Reading the micro-Amp of flame sensor circuit with a micro ammeter, it is greater than 0.5 micro-Amps. NOTE: Meter must be able to set and be connected properly to read the very low current value. Reading the micro-Amp of flame sensor circuit with a micro ammeter, it is not greater than 0.5 micro-Amps. 	<ol style="list-style-type: none"> Check inlet pressure and limit switches. Check control board for flash codes. Consult factory. Correct grounding or fix polarity. Check control board flash codes. Replace ignition module. Replace control board.
The air motor fan does not turn on approx. 30 seconds after ignition	<ol style="list-style-type: none"> The control board does not send 120 VAC to the air movement fan after approx. 30 seconds after ignition and if contact relay fan control is closed. The control board does not send 120 VAC to the air movement fan after approx. 30 seconds after ignition and if contact relay fan control is open and there isn't 24VAC on relay fan control. The control board does not send 120 VAC to the air movement fan after approx. 30 seconds after ignition and if contact relay fan control is open and there is 24VAC on relay fan control. The motor is dirty, obstructed, or damaged, inhibiting rotation. Motor starter capacitor damaged. 	<ol style="list-style-type: none"> Verify wires are not damaged. Check if switch start circulation is closed. Replace relay. Clean fan, remove obstruction, or replace damaged parts. Replace or repair.
The heater does not stay on until the call for heat ends	<ol style="list-style-type: none"> The heater can shut down or stay on due to: <ul style="list-style-type: none"> Limit switch opening. Pressure switch opening. Improper grounding. Faulty control device. High winds. Taking combustion air from the attic. Dirty environment. Fluctuating gas pressure. 	

# OF FLASHES	LED DIAGNOSTIC CODES
AT ON every 3 sec	Normal Operation
1 FLASH	Self Test
1 FLASH every 3 sec	Airflow fault
2 FLASHES every 3 sec	Flame - No call for heat
3 FLASHES every 3 sec	Ignition lockout
4 FLASHES every 3 sec	Control Fault

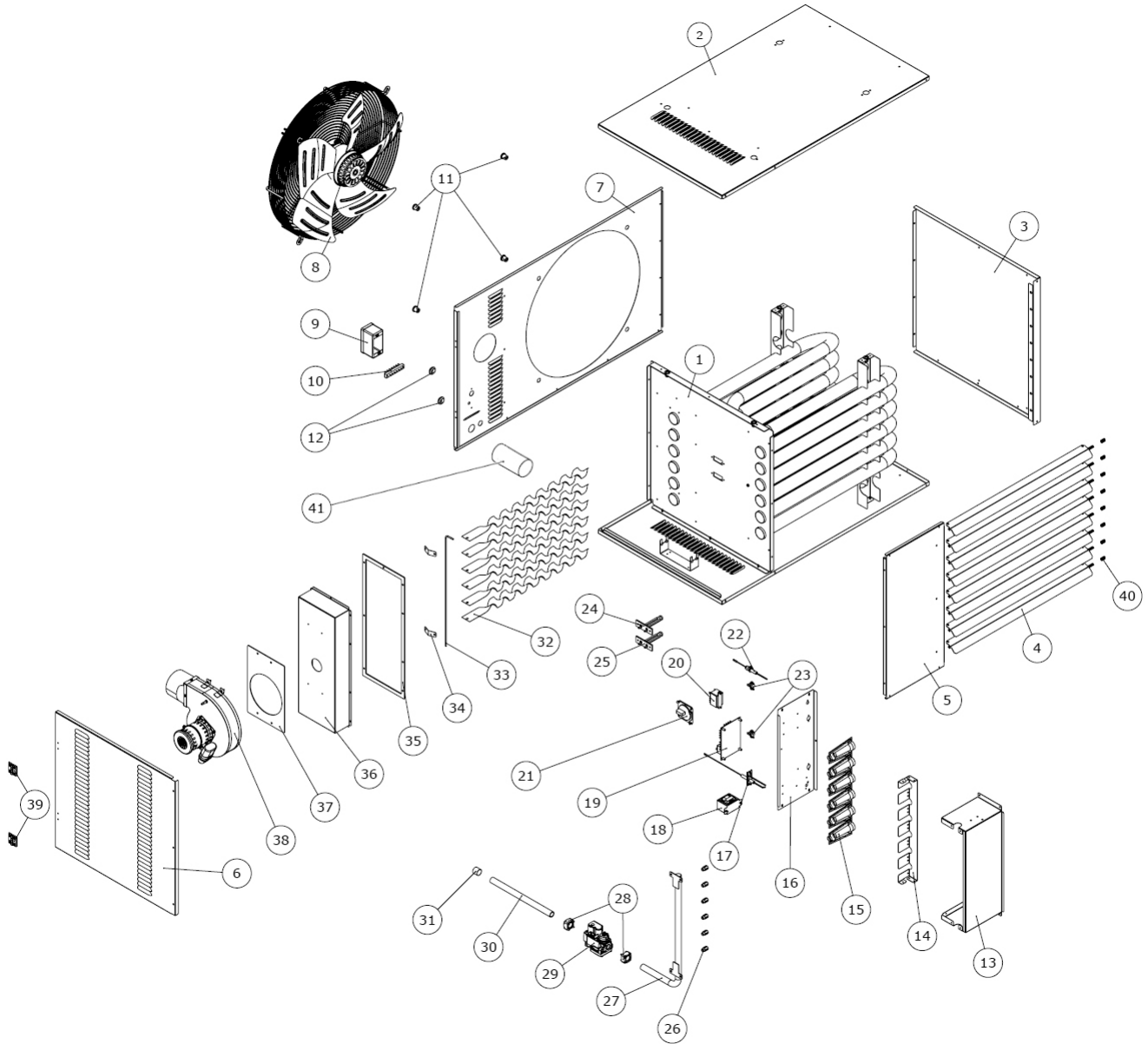
TABLE 10: Led Diagnostic Codes

If no leak is found, combination control is faulty and must be replaced before putting appliance back in service.

PARTS LIST

When ordering parts include the complete unit model number listed on the unit rating plate.

Heatstar • Large Unit Heater • Model # HSU200NG / HSU250NG / HSU300NG/ HSU400NG



Liquid Propane to Natural Gas Conversion Kit

HSU200NG.....	F260165
HSU250NG.....	F260166
HSU300NG.....	F260167
HSU400NG.....	F260168

Natural Gas to Liquid Propane Conversion Kit

HSU200NG.....	F260169
HSU250NG.....	F260170
HSU300NG.....	F260171
HSU400NG.....	F260172

PARTS LIST

SEE BACK PAGE FOR PARTS ORDERING INFORMATION

REF #	Description	200NG	250NG	300NG	400NG
1	HEAT EXCHANGER	60267	60268	60269	60270
2	UPPER SIDE PANEL	60271	60271	60271	60271
3	LATERAL SIDE PANEL 1	60272	60272	60273	60274
4	LOUVER	60275	60275	60275	60275
5	LATERAL SIDE PANEL 2	60276	60276	60277	60278
6	DOOR PANEL	60279	60279	60280	60281
7	BACK SIDE PANEL	60282	60283	60284	60285
8	BLOWER	60286	60286	60287	60287
9	WIRING CONNECTION BOX	N/A	N/A	N/A	N/A
10	THERMOSTAT TERMINAL	N/A	N/A	N/A	N/A
11	ANTI-VIBRATION SUPPORTS	N/A	N/A	N/A	N/A
12	STRAIN RELIEF	N/A	N/A	N/A	N/A
13	BURNER BOX	N/A	N/A	N/A	N/A
14	BURNERS SUPPORT BRACKET	N/A	N/A	N/A	N/A
15	INSHOT BURNER	60288	60288	60288	60288
16	ELECTRICAL COMPONENTS SUPPORT PANEL	N/A	N/A	N/A	N/A
17	IGNITER ELECTRODE	60289	60289	60289	60289
18	TRANSFORMER 120-24	60290	60290	60290	60290
19	PCB CONTROL BOARD	60291	60291	60291	60291
20	BLOWER DRIVE RELAY	60292	60292	60292	60292
21	PRESSURE SWITCH	60293	60294	60294	60294
22	DETECTION ELECTRODE	60295	60295	60295	60295
23	MANUAL RESET SAFETY THERMOSTAT (140°C)	60296	60296	60296	60296
24	AUTOMATIC SAFETY THERMOSTAT (NC 60°C)	60297	60297	60297	60297
25	BLOWER AUT. THERMOSTAT (NO 35°C)	60298	60298	60298	60298
26	ORIFICE NG	60299	60299	60300	60300
27	MANIFOLD	60301	60302	60303	60304
28	GAS VALVE 1/2" FLANGE	60305	60305	60305	60305
29	GAS VALVE	60306	60306	60306	60306
30	INLET 1/2" GAS PIPE CONNECTION	N/A	N/A	N/A	N/A
31	GAS PIPE PROTECTION	N/A	N/A	N/A	N/A
32	TURBOLATOR	N/A	N/A	N/A	N/A
33	TURBOLATOR ROD	N/A	N/A	N/A	N/A
34	ROD STOPPER	N/A	N/A	N/A	N/A
35	FLUE BOX GASKET	60307	60307	60308	60309
36	FLUE BOX	N/A	N/A	N/A	N/A
37	INDUCER GASKET	60310	60310	60310	60310
38	INDUCER	60311	60312	60312	60312
39	DOOR HINGE	60313	60313	60313	60313
40	LOUVER SPRING	60314	60314	60314	60314
41	CAPACITOR	60340	60340	60341	60341
*	ORIFICE LP	60315	60315	60316	60316
*	PRESSURE SWITCH SILICONE PIPE	60317	60317	60317	60317
*	ELECTRICAL WIRING	60318	60318	60318	60318
*	GAS VALVE CONNECTION	60319	60319	60319	60319

*NOT SHOWN



OPERATING INSTRUCTIONS AND OWNER'S MANUAL

MODEL#	
HSU200NG	HSU300NG
HSU250NG	HSU400NG

READ INSTRUCTIONS CAREFULLY: YOUR SAFETY IS IMPORTANT TO YOU AND TO OTHERS.

Read and follow all instructions. Place instructions in a safe place for future reference. Do not allow anyone who has not read these instructions to assemble, light, adjust or operate the heater.



WARNING:

USE ONLY MANUFACTURER'S REPLACEMENT PARTS. USE OF ANY OTHER PARTS COULD CAUSE INJURY OR DEATH. REPLACEMENT PARTS ARE ONLY AVAILABLE DIRECT FROM THE FACTORY AND MUST BE INSTALLED BY A QUALIFIED SERVICE AGENCY.

PARTS ORDERING INFORMATION:

PURCHASING: ACCESSORIES MAY BE PURCHASED AT ANY HEATSTAR LOCAL DEALER OR DIRECT FROM THE FACTORY

FOR INFORMATION REGARDING SERVICE:

Please call Toll-Free 866-447-2194 • WWW.HEATSTARBYENERCO.COM

Our office hours are 8:00 AM – 5:00 PM, EST, Monday through Friday.

Please include the model number, date of purchase, and description of problem in all communication.

LIMITED WARRANTY:

The company warrants this product to be free from imperfections in material or workmanship, under normal and proper use in accordance with instructions of The Company, for a period of three years on parts (limited) and 10 years on the heat exchanger, from the date of delivery to the buyer. The Company, at its option, will repair or replace products returned by the buyer to the factory, transportation prepaid within said one year period and found by the Company to have imperfections in material or workmanship.

If a part is damaged or missing, call our Technical Support Department at 866-447-2194.

Address any Warranty Claims to the Service Department, Heatstar, Inc., 4560 W. 160TH ST., CLEVELAND, OHIO 44135. Include your name, address and telephone number and include details concerning the claim. Also, supply us with the purchase date and the name and address of the dealer from whom you purchased our product.

The foregoing is the full extent of the responsibility of the Company. There are no other warranties, express or implied. Specifically there is no warranty of fitness for a particular purpose and there is no warranty of merchantability. In no event shall the Company be liable for delay caused by imperfections, for consequential damages, or for any charges of the expense of any nature incurred without its written consent. The cost of repair or replacement shall be the exclusive remedy for any breach of warranty. There is no warranty against infringement of the like and no implied warranty arising from course of dealing or usage of trade. This warranty will not apply to any product which has been repaired or altered outside of the factory in any respect which in our judgment affects its condition or operation.

Some states do not allow the exclusion or limitation of incidental or consequential damages, so the above limitation or exclusion may not apply to you. This Warranty gives you specific legal rights, and you may have other rights which vary from state to state.

Heatstar, Inc. reserves the right to make changes at any time, without notice or obligation, in colors, specifications, accessories, materials and models.

PRODUCT REGISTRATION: Thank you for your purchase.

Please log in to <http://www.egiregistration.com> to register your product.

ENERCO GROUP, INC., 4560 W. 160TH ST., CLEVELAND, OHIO 44135 • 1-866-447-2194

Heatstar is a registered trademarks of Heatstar, Inc.

© 2022, Heatstar. All rights reserved

Instalador: Deje este manual con el artefacto. Consumidor: Guarde este manual para futura referencia.



INSTRUCCIONES DE OPERACIÓN Y MANUAL DEL PROPIETARIO

MODELOS

HSU200NG	HSU300NG
HSU250NG	HSU400NG

LEA CUIDADOSAMENTE LAS INSTRUCCIONES: SU SEGURIDAD ES IMPORTANTE PARA USTED Y PARA LOS DEMÁS. Lea y siga todas las instrucciones. Conserve estas instrucciones en un lugar seguro para futura referencia. No permita que nadie que no haya leído estas instrucciones arme, encienda, ajuste o use el calefactor.



CALEFACTOR GRANDE PARA USO RESIDENCIAL Y COMERCIAL

ADVERTENCIA: La instalación, ajuste, alteración, reparación o mantenimiento inadecuados pueden causar lesiones o daños materiales. Consulte este manual. Por asistencia o información adicional, consulte con un instalador calificado, agencia de servicio o la compañía de gas.

- QUÉ HACER SI DETECTA OLOR A GAS

- o NO intente encender el artefacto.
- o NO toque ningún interruptor eléctrico; no use ningún teléfono en el edificio.
- o Abandone el edificio inmediatamente.
- o Llame inmediatamente a su proveedor de gas desde un teléfono lejos del edificio. Siga las instrucciones de la compañía de gas.
- o Si no se puede comunicar con la compañía de gas, llame a los bomberos.

- La instalación y la reparación deben ser realizadas por un instalador calificado, agencia de reparaciones o la compañía de gas.

POR SU SEGURIDAD:

No almacene ni utilice gasolina ni ningún otro vapor ni líquido inflamable cerca de este ni de ningún otro artefacto.

ADVERTENCIA: Si no se siguen estas instrucciones al pie de la letra, podría producirse un incendio o una explosión que provocaría daños materiales, lesiones o muertes.

SEGURIDAD

⚠️ ADVERTENCIA:

SU SEGURIDAD ES IMPORTANTE PARA USTED Y PARA LOS DEMÁS, ASÍ QUE POR FAVOR LEA ESTAS INSTRUCCIONES ANTES DE UTILIZAR EL CALEFACTOR.

⚠️ ADVERTENCIA:

PELIGRO DE INCENDIO Y EXPLOSIÓN

El no seguir exactamente las advertencias de seguridad podría causar heridas graves, la muerte o daños materiales. Asegúrese de leer y comprender las instrucciones de instalación, operación y reparación de este manual. La instalación, ajuste, alteración, reparación o mantenimiento inadecuados pueden causar lesiones graves, la muerte o daños materiales.

⚠️ ADVERTENCIA:

Los combustibles utilizados en los artefactos a gas licuado de propano y los productos de la combustión de dicho combustible pueden exponerlo a sustancias químicas, incluido el benceno, que según el estado de California puede provocar cáncer y causar defectos de nacimiento u otros daños reproductivos. Visite www.P65Warnings.ca.gov por mayor información.

⚠️ ADVERTENCIA:

PELIGRO DE INCENDIO, QUEMADURAS, INHALACIÓN Y EXPLOSIÓN. Mantenga los combustibles sólidos como materiales de construcción, papel o cartón a una distancia segura del calefactor. Tal como lo recomiendan las instrucciones, nunca use el calefactor en espacios que contienen o podrían contener combustibles volátiles o productos como gasolina, solventes, diluyente de pintura o productos químicos desconocidos.

⚠️ ADVERTENCIA:

ESTE PRODUCTO PUEDE EXPONERLO A PRODUCTOS QUÍMICOS, INCLUYENDO PLOMO Y COMPUESTOS DE PLOMO, QUE DE ACUERDO CON EL ESTADO DE CALIFORNIA PRODUCEN CÁNCER Y DEFECTOS DE NACIMIENTO U OTROS DAÑOS REPRODUCTIVOS. POR MAYOR INFORMACIÓN, VISITE WWW.P65WARNINGS.CA.GOV

	HSU200NG	HSU250NG	HSU300NG	HSU400NG
V/A/H/Fase	120 V / 6,3 A / 60 HZ / 1 Ø	120 V / 6,3 A / 60 HZ / 1 Ø	120 V / 10 A / 60 HZ / 1 Ø	120 V / 10 A / 60 HZ / 1 Ø
BTU de entrada	200.000 BTU	250.000 BTU	300.000 BTU	400.000 BTU
BTU de salida	160.000 BTU	200.000 BTU	240.000 BTU	320.000 BTU
Eficiencia (%)	80%	80%	80%	80%

CONTENIDO

SEGURIDAD.....	2
INTRODUCCIÓN.....	5
INSTALACIÓN.....	6
PUESTA EN MARCHA.....	16
MANTENIMIENTO.....	20
INSTRUCCIONES PARA CONVERSIÓN DE COMBUSTIBLE.....	22
GUÍA DE DIAGNÓSTICO DE PROBLEMAS.....	24
LISTA DE PARTES.....	26
GARANTÍA.....	28

IDIOMAS

INGLÉS	1 - 28
ESPAÑOL	1 - 28
FRANCÉS	1 - 28

INFORMACIÓN GENERAL

GUARDE ESTE MANUAL PARA FUTURA REFERENCIA. POR PREGUNTAS, PROBLEMAS O PARTES FALTANTES, ANTES DE RETORNAR EL PRODUCTO A LA TIENDA LLÁMENOS CON EL NÚMERO DE MODELO Y EL NÚMERO DE SERIE DEL CALEFACTOR: 1-866-447-2194

DE LUNES A VIERNES DE 8 A 5 PM HORA DEL ESTE. O ENVÍENOS UN MENSAJE A TRAVÉS DEL SITIO WEB DE HEATSTAR:

WWW.HEATSTARBYENERCO.COM

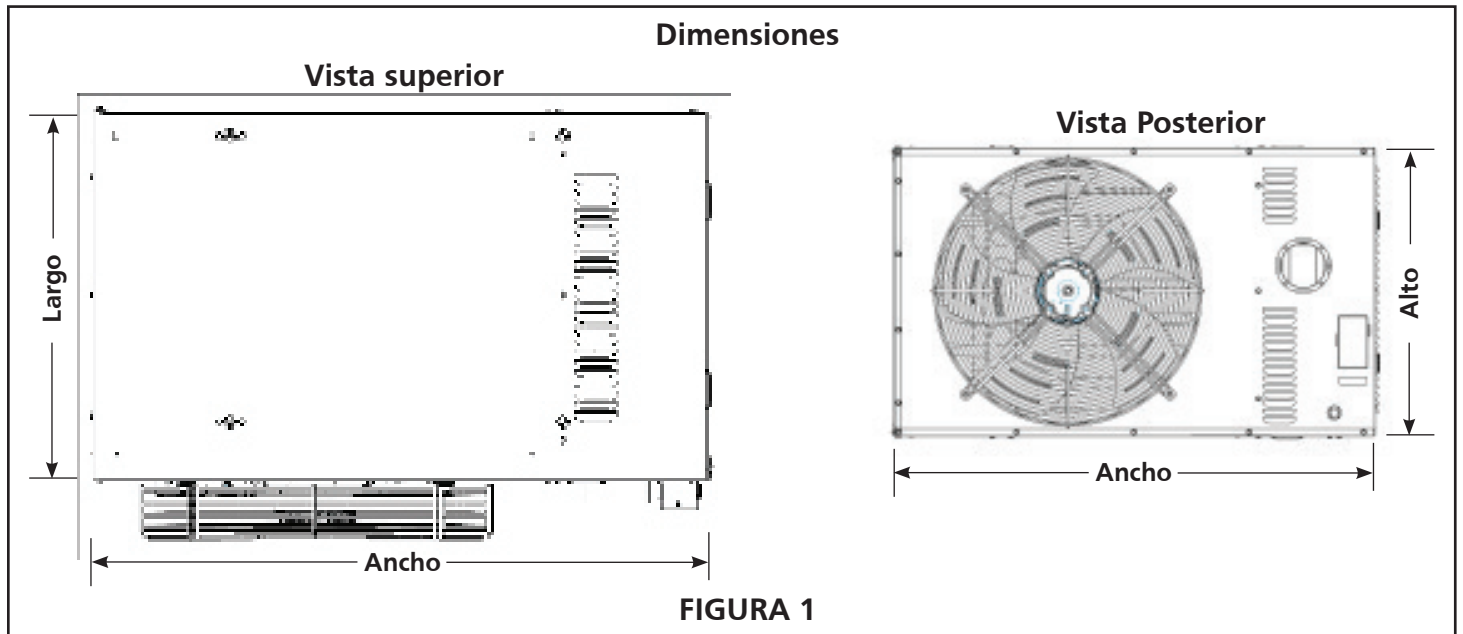
Para brindarle el mejor servicio posible, ahora Heatstar le ofrece más formas de ponerse en contacto con nosotros. Encuentre videos informativos en:

 YouTube: youtube.com/heatstarTV

La línea completa de productos Heatstar ahora está en:
WWW.HEATSTARBYENERCO.COM

ESPECIFICACIONES DEL PRODUCTO

Esta unidad es un calefactor de aire caliente de una sola entrada con una eficiencia térmica promedio del 80%. Todas las unidades deben alimentarse con energía monofásica de 60 Hz y 120 VCA. Para obtener información específica sobre cada modelo, consulte la **Tabla 1**.



	BTU de entrada (BTU/h)	BTU de salida (BTU/h)	Tamaño			
			ANCHO	LARGO	ALTO	PESO (lb)
HSU200NG	200.000	160.000	41,3"	28,7"	24,8"	175
HSU250NG	250.000	200.000	41,3"	28,7"	24,8"	180
HSU300NG	300.000	240.000	41,3"	28,7"	30,3"	227
HSU400NG	400.000	320.000	41,3"	28,7"	38,6"	280

TABLA 1: Especificaciones

	BTU de entrada (BTU/h)	Flujo de aire de entrada (CFM)	Velocidad de salida (FPM)	Aumento de la temperatura del aire (°F)	Motor (Vatios)	Motor (RPM)	Diámetro del ventilador (Pulgadas)
HSU200NG	200.000	3.377	960	45,0	650	1.500	21,7
HSU250NG	250.000	3.435	976	55,3	650	1.500	21,7
HSU300NG	300.000	4.507	1.040	50,6	1.000	1.560	24,8
HSU400NG	400.000	5.763	1.040	52,7	1.000	1.560	24,8

TABLA 2: Datos generales de rendimiento

PUESTA EN MARCHA Y LISTA DE CONTROL DE RENDIMIENTO

Nombre de la instalación: _____ Trabajo No.: _____ Fecha: _____
 Lugar de la instalación: _____ Ciudad: _____ Estado/Provincia: _____
 Instalador: _____ Ciudad: _____ Estado/Provincia: _____
 Modelo de la unidad: _____ No. de serie: _____ Técnico de reparaciones: _____

¿Conexiones eléctricas ajustadas? _____ ¿Conexiones de combustión ajustadas? _____
 Voltaje de alimentación _____ ¿Funcionamiento del temporizador del ventilador verificado? _____
 ¿Conexiones de caños de gas ajustadas y sin fugas? _____ ¿TERMOSTATO Calibrado? _____
 Corriente del motor _____ ¿Anticipador de calor ajustado correctamente? _____
 BTU de entrada del calefactor _____ ¿Nivelado? _____
 Presión de la línea _____
 Presión del múltiple en columna de agua _____

ENVÍO

El calefactor viene completamente armado. El que reciba la unidad debe ponerse en contacto con el último transportista inmediatamente en caso de cualquier daño durante el envío.

APLICACIONES

Este **no** es un calefactor a prueba de explosiones. Este calefactor no se puede utilizar en un ambiente explosivo de Clase 1 o Clase 2. Consulte con su departamento de bomberos local, compañía de seguros y otras autoridades para que aprueben la instalación propuesta cuando tenga alguna duda.

COMERCIAL/INDUSTRIAL

El calefactor está diseñado y certificado para su uso en edificios industriales y comerciales, como almacenes, plantas de fabricación, hangares de aviones y talleres de mantenimiento de vehículos. Para una máxima seguridad, se debe evaluar el edificio en busca de problemas potenciales antes de instalar el sistema de calefacción. Esta unidad está certificada para su uso tal como la suministra el fabricante. No altere el ventilador ni haga funcionar los motores a velocidad reducida.

⚠️ CUIDADO: La instalación de dispositivos restrictivos en la entrada o salida del motor del ventilador puede causar una falla prematura de la tubería del intercambiador, sobrecalentamiento del artefacto o dañar los componentes. No conecte conductos, filtros de aire o tubos de polietileno a ningún calefactor HEATSTAR.

NORMAS, CERTIFICACIONES Y REGLAMENTOS GUBERNAMENTALES

La instalación de este calefactor a gas debe cumplir con todas las especificaciones, regulaciones y códigos de construcción locales, estatales y nacionales aplicables. Comuníquese con el inspector de construcción local y/o los bomberos para obtener orientación.

En caso de que no existan normas locales, la instalación debe cumplir con la última edición de:

CSA EN EE.UU.

La instalación de calefactores a gas debe cumplir con las normas locales de construcción o, en su defecto, con la actual Norma Nacional de Gas Combustible ANSI Z223.1.

La instalación en hangares de aviones debe hacerse de acuerdo con la actual Norma para hangares de aviones, ANSI/NFPA No. 409.

La instalación en estructuras de empaque debe hacerse de acuerdo con la actual Norma para estructuras de empaque, ANSI/NFPA No. 88A.

Para la instalación en un garaje residencial, estas unidades deben instalarse de modo que la parte inferior del calefactor se encuentre a no menos de 8 pies (2,4 m) sobre el piso. El calefactor debe estar ubicado o protegido de modo que no pueda sufrir daños físicos por parte de los vehículos. Consulte la edición actual de la Norma nacional de gas combustible ANSI Z223.1.

Debe consultar con las autoridades que tengan jurisdicción antes de una instalación NFPA. El aire para la combustión y la ventilación debe cumplir con los métodos descritos en la sección 5.3 de la norma ANSI Z223.1, Aire para Combustión y Ventilación, o con las disposiciones aplicables de las normas locales de construcción. ANS Z83.8/CSA 2.6 es la norma para la construcción de calefactores a gas. La Norma nacional de gas combustible está disponible en:

American National Standard Institute Inc.
11 West 42nd Street
New York, NY 10036

Estas unidades cuentan con la certificación internacional de diseño CSA. Estos calefactores están certificados para su instalación en materiales combustibles según lo indicado en la **Tabla 3** y en la placa de características de la unidad. Deben respetarse las separaciones de accesibilidad y de reparaciones además de las separaciones de protección contra incendios.

Todo el cableado eléctrico y de tierra de la unidad debe realizarse como lo especifica la actual Norma Eléctrica Nacional ANSI No. 70.

La Norma Eléctrica Nacional está disponible en:

National Fire Protection Association
1 Batterymarch Park
PO Box 9101
Quincy, MA 02269-9101

CSA EN CANADÁ

Las instrucciones están diseñadas como una guía general y no reemplazan de ninguna manera a las normas locales. Debe consultar con las autoridades que tengan jurisdicción antes de realizar la instalación. La instalación debe cumplir con las normas locales de construcción, y si no existen normas locales, con la Norma de instalación de gas natural y propano, CSA B149.1. Todo el cableado eléctrico y de tierra de la unidad también debe cumplir con la edición actual de la Norma eléctrica canadiense CSA C22.1.

Estos calefactores cuentan con la certificación internacional CSA para las distancias a materiales combustibles indicadas en la placa de características y en la **Tabla 3**. Proporcione una separación adecuada alrededor de las aberturas de aire en la cámara de combustión, distancias a material combustible y provisiones para accesibilidad y para el suministro de aire de combustión y de ventilación. Hay que dejar lugar para poder acceder al calefactor cuando sea necesario repararlo. Tenga en cuenta que las separaciones de protección contra incendios se pueden exceder para proporcionar espacio adicional para la reparación y el acceso. CAN/CGA B149.1-10 es la norma para la instalación de gas natural y propano.

Se pueden ver o comprar copias de estas normas en www.nfpa.org o en www.scc.ca.

INSTALACIONES EN GARAJES

La instalación en estructuras de empaque debe hacerse de acuerdo con la actual Norma para estructuras de empaque, ANSI/NFPA No. 88A.

La instalación en garajes de reparaciones debe hacerse de acuerdo con la actual Norma para garajes de reparaciones, ANSI/NFPA No. 88B.

1. En un área de almacenamiento, la separación entre calefactores y materiales combustibles debe ser tal que el material no alcance una temperatura superior a los 160 °F durante el funcionamiento continuo de la unidad.
2. Debe mantenerse una separación mínima de ocho pies desde el suelo hasta la parte inferior del calefactor. Consulte la Norma de instalación de gas natural y propano CSA B149.1.

Canadá: Consulte la CAN/CGA B149.1: Normas de instalación para aparatos a gas y normas aplicables para garajes públicos.

Lineamientos:

- No se pueden instalar los calefactores a menos de 8 pies (2,4 m) de altura. Se deben mantener las distancias mínimas a combustibles para los vehículos estacionados debajo del calefactor.
- Cuando se instalan sobre aparejos elevadores, se deben mantener las distancias mínimas a combustibles desde el punto más alto de los objetos del elevador.

INSTALACIONES EN HANGARES PARA AVIONES

La instalación de calefactores a gas debe cumplir con las normas locales de construcción o, en su defecto, con la actual Norma Nacional de Gas Combustible ANSI Z223.1.

EN LOS ESTADOS UNIDOS: Consulte la Norma para hangares de aeronaves, ANSI/NFPA 409 (última edición).

1. En lugares de almacenamiento o reparación de aviones, los calefactores deben instalarse a una altura de 10 pies (3 m) por encima de la superficie superior de las alas o de los compartimientos de motores del avión más alto que podría guardarse en el hangar. La medición se realizará desde el ala o el compartimiento del motor, el que esté más alto desde el piso, hasta la parte inferior del calefactor.
2. En áreas contiguas al área de almacenamiento de aeronaves (por ejemplo talleres, oficinas), la parte inferior de los calefactores no debe quedar instalada a menos a 8 pies (2,4 m) por encima del piso.
3. Los calefactores deben ubicarse de modo que estén protegidos contra daños causados por los aviones y por cualquier otro artefacto necesario para reparar los aviones. Consulte los requisitos de las autoridades competentes. Se deben tomar las medidas necesarias para asegurar la accesibilidad a los calefactores suspendidos para realizarles el mantenimiento recurrente.

Para la instalación en hangares, estas unidades deben instalarse de modo que los quemadores y las fuentes de ignición se encuentren a no menos de 18 pies (457 mm) por encima del piso. El calefactor debe estar ubicado o protegido de modo que no pueda sufrir daños físicos por parte de los vehículos. Consulte la edición actual de la Norma de instalación de gas natural y propano CSA B149.1.

EN CANADÁ: En un área cerrada, el calefactor debe instalarse de acuerdo con la Norma de instalación de gas natural y propano CSA B149.1. Asegúrese de consultar con las normas y ordenanzas locales por requisitos adicionales.

GAS DE BTU NO ESTÁNDAR

A menos que se indique lo contrario en la placa de características, este calefactor está diseñado y tiene un orificio para funcionar con gas BTU estándar. Comuníquese con la fábrica si utiliza gas de BTU no estándar.

INTRODUCCIÓN

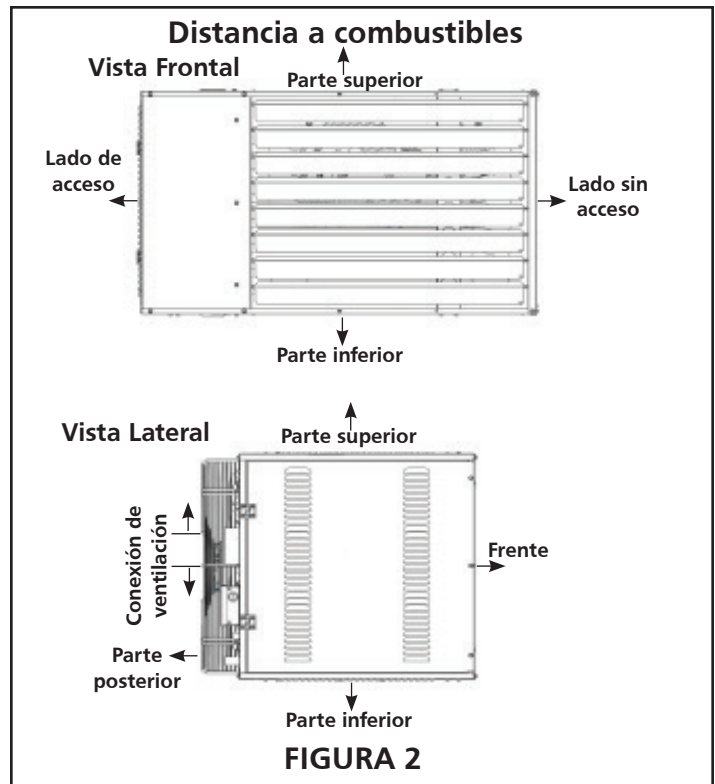
Este calefactor es un calefactor alimentado a gas. Este manual proporciona información específica relacionada con los modelos Heatstar. Todas las personas involucradas en la instalación, operación y mantenimiento del calefactor deberán leer y comprender la información de este manual.

El propósito de este manual es brindar información sobre seguridad, pautas de diseño, instalación, operación y mantenimiento de este calefactor a gas. Debe leer y comprender las instrucciones y todas las advertencias de seguridad antes de instalar el calefactor a gas. Este manual le pertenece al propietario y debe permanecer con el propietario o con la unidad una vez completada la instalación.

DISTANCIA A COMBUSTIBLES

La separación a los materiales combustibles se define como la distancia mínima que debe existir entre una parte específica del calefactor y cualquier elemento combustible. También se refiere a la distancia que debe mantenerse de los objetos en movimiento alrededor del calefactor. Un espacio de servicio recomendado se define como la distancia mínima que se necesita para realizar el servicio adecuado del calefactor. Al instalar el calefactor, se deben mantener las distancias a materiales combustibles para cada modelo. Consulte la Tabla 3 para determinar las distancias requeridas para su modelo.

⚠️ ADVERTENCIA: La colocación de objetos explosivos, objetos, líquidos y vapores inflamables cerca del calefactor puede provocar una explosión, un incendio, daños materiales, lesiones graves o la muerte. No almacene ni use objetos, líquidos o vapores explosivos cerca del calefactor.

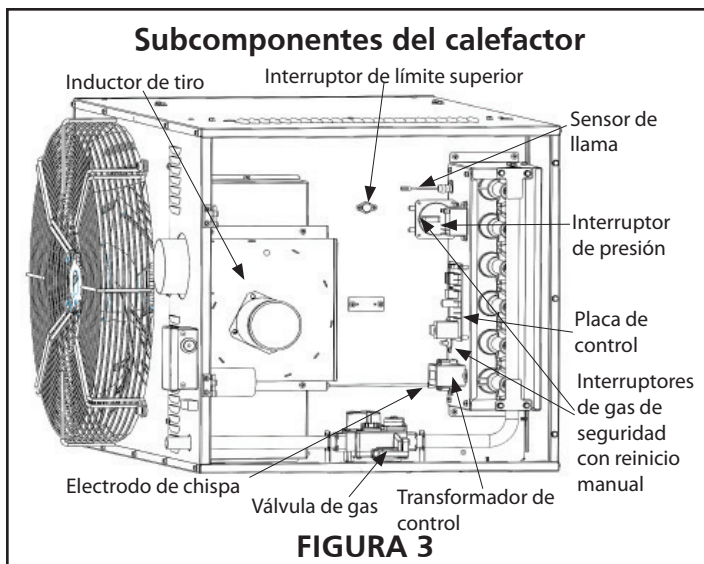


Lado de la unidad	Frente	Arriba y abajo	Lado de acceso	Lado sin acceso	Parte posterior	Conexión de ventilación
Distancia a combustibles	60"	6"	6"	6"	18"	6"
Distancia para permitir el servicio	60"	18"	29"	18"	18"	18"

TABLA 3: Distancia a combustibles

COMPONENTES DEL CALEFACTOR

Antes de la instalación, verifique que el tipo de gas y el voltaje del calefactor (como se indica en la placa de características) coincidan con los de su instalación. El calefactor se fabrica de manera estándar para funcionar con gas natural. En caso de usarlo con gas LP/propano, consulte las instrucciones de conversión de combustible. También verifique que haya recibido todas las partes del calefactor incluidas con su unidad. Los materiales no incluidos con la unidad (por ejemplo, tornillos, material de ventilación, varilla roscada, etc.) son responsabilidad del instalador. Notifique a su representante de producto o a la fábrica acerca de cualquier discrepancia o partes faltantes antes de instalar la unidad.



CONSIDERACIONES INICIALES DE INSTALACIÓN Y REVISIONES PREVIAS

⚠️ ADVERTENCIA: La instalación, ajuste, alteración, reparación o mantenimiento inadecuados pueden causar daños materiales, lesiones graves o la muerte. Lea y comprenda completamente las instrucciones de instalación, operación y mantenimiento antes de instalar o reparar este equipo. Este manual debe guardarse para uso futuro, para reparaciones o diagnóstico de servicio. Deje el manual con el propietario. No deseche la documentación que viene con esta unidad. Solo el personal de instalación o servicio capacitado y calificado puede instalar o reparar este equipo. No conecte conductos, filtros de aire o tubos de polietileno a ningún calefactor a aire forzado.

La ubicación del calefactor está influenciada por muchos factores. Aparte de los factores de seguridad, las consideraciones sobre los requisitos generales de espacio y calefacción, la disponibilidad de suministro eléctrico y de gas y la proximidad de posibles ventilaciones son algunos ejemplos de los factores que deben tenerse en cuenta.

Inspeccione y evalúe la ubicación del calefactor para asegurarse de que el soporte estructural sea el adecuado para soportar el peso de la unidad. La unidad debe instalarse en posición horizontal nivelada para garantizar un funcionamiento adecuado. Para reducir la generación de ruido a lo largo de la estructura causado por la vibración de la unidad, el calefactor debe instalarse a menos de 15 pies del soporte principal al edificio. En los casos en que dicha instalación no sea práctica o factible, se pueden utilizar aisladores de vibración tipo resorte, siempre que estén clasificados para soportar el peso de la unidad.

También se debe considerar el espacio adecuado alrededor del calefactor para mantener las distancias mínimas publicadas hacia los materiales combustibles y los espacios libres de servicio recomendados (consulte la **Tabla 3**).

⚠️ ADVERTENCIA: No coloque ninguna unidad a gas en un área donde haya vapores clorados, halogenados o ácidos en el ambiente. Estas sustancias pueden causar una falla prematura del intercambiador de calor debido a la corrosión, lo que puede ocasionar daños materiales, lesiones graves o la muerte.

En los EE.UU., la instalación de estas unidades debe cumplir con la Norma Nacional de Gas Combustible, ANSI Z223.1 (NFPA 54) - última edición y con las demás normas de construcción locales aplicables. En Canadá, la instalación de estas unidades debe cumplir con las normas locales de plomería o de aguas residuales y demás normas aplicables y con la norma CSA-B149.1 en vigencia.

Toda la instalación y el servicio de estas unidades deben ser realizados por una agencia de instalación y servicio calificada, y solo como se define en la ANSI Z223.1 (NFPA 54) - última edición, o para Canadá, por un instalador de gas autorizado.

Esta unidad está certificada con los controles suministrados. Para piezas de repuesto, ordénelas de acuerdo con la lista de piezas de repuesto de la placa de características. Siempre conozca su modelo y número de serie, nos reservamos el derecho de sustituir otros controles autorizados como reemplazos.

La unidad viene calibrada para funcionar correctamente. No altere el ventilador ni haga funcionar los motores a velocidades inferiores a las que se indican en este manual.

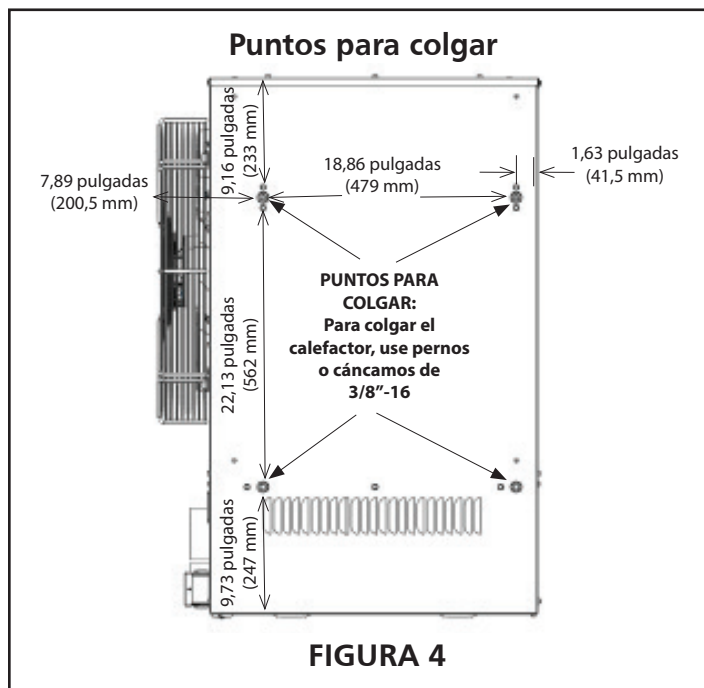
La información sobre los controles se proporciona por separado. El mismo quemador se utiliza para gas natural y para propano.

INSTALACIÓN

AVISO: Los ambientes de alta humedad o de agua salada acelerarán la corrosión del calefactor y reducirán su vida útil. No instale el calefactor en lugares donde pueda caer agua (en forma de lluvia, goteo o rocío) sobre los componentes de encendido del gas.

⚠️ ADVERTENCIA: La suspensión inadecuada del calefactor puede ocasionar que se caiga y aplaste a alguien. Suspendalo siempre de una parte permanente de la estructura del edificio que pueda soportar uniformemente la fuerza y el peso total del calefactor. El no respetar las distancias mínimas a materiales combustibles puede causar incendios y/o explosiones, daños materiales, lesiones graves o la muerte. Mantenga siempre las distancias mínimas.

Las unidades están diseñadas para colgarse con pernos roscados a través de los cuatro (4) insertos roscados ubicados en el panel superior del calefactor:



La suspensión del calefactor debe cumplir con todas las normas aplicables a las que se hace referencia en la sección **NORMAS**.

Para asegurar un funcionamiento correcto, el calefactor debe instalarse nivelado horizontalmente, dependiendo la ubicación deseada de las separaciones mínimas, la conexión de la ventilación, la dirección del aire, el suministro de gas, el suministro eléctrico y la accesibilidad para repararla.

Asegúrese de que los medios de suspensión sean adecuados para

soportar el peso de la unidad (consulte la **Tabla 1** para conocer los pesos de las unidades).

⚠️ CUIDADO: No instale unidades por debajo de 7 pies medidos desde la parte inferior de la unidad hasta el piso en aplicaciones comerciales (a menos que la unidad esté debidamente protegida para brindar protección al usuario contra las piezas móviles).

Asegúrese de que ninguna obstrucción bloquee la entrada y salida de aire de los calefactores.

La distancia mínima a material combustible es para que la superficie del material combustible no exceda los 160 °F. Es posible que se requiera que el espacio libre desde la parte superior de la unidad sea mayor que el mínimo especificado si se podrían producir daños por calor, aparte de incendio, en los materiales por encima del calefactor a la temperatura indicada.

Deje un espacio libre de 18 pulgadas en la parte trasera (o 12 pulgadas más allá del extremo del motor en la parte trasera de la unidad, lo que sea mayor) y en el costado de acceso para proporcionar suficiente aire para que el ventilador funcione correctamente.

VENTILACIÓN

Los calefactores Heatstar deben ventilarse como se describe aquí para dirigir correctamente los gases de combustión desde la unidad hacia el exterior. La ventilación puede terminar verticalmente a través del techo (arriba) u horizontalmente a través de una pared lateral (lateralmente).

⚠️ ADVERTENCIA: Los calefactores a gas deben tener ventilación. No lo use sin ventilación. Viene equipado con un extractor eléctrico incorporado. No requiere ni se permiten extractores eléctricos externos adicionales.

La ventilación insuficiente y/o las rejillas de ventilación mal selladas pueden liberar gases en el edificio, lo que podría provocar problemas de salud, intoxicación por monóxido de carbono o la muerte. La ventilación inadecuada puede causar incendios, explosiones, lesiones o la muerte.

⚠️ CUIDADO: La instalación debe cumplir con las normas de construcción locales, o en su defecto, con la Parte 7, Ventilación de equipos, de la Norma Eléctrica Nacional ANSI Z223.1 (NFPA 54) - última edición. En Canadá, la instalación debe cumplir con CSA B149.1.

Los calefactores Heatstar vienen con salida instalada en la fábrica para conectar el tubo de ventilación al calefactor. Fije el material de ventilación al adaptador con tres (3) tornillos para láminas de metal no corrosivos. Si fuera necesario, taladre orificios piloto antes de conectar el tubo de ventilación. El tubo de ventilación no debe ser más pequeño que el adaptador instalado de fábrica.

⚠️ ADVERTENCIA: No ventile este artefacto en las rejillas de ventilación de otro calefactor ni a través de una chimenea de mampostería. No use amortiguadores en el tubo de ventilación del calefactor. El sistema de ventilación debe ser exclusivo para un solo artefacto y no se permite que ventile ningún otro artefacto. Se deben tomar precauciones para evitar que los materiales de construcción se degraden por el contenido de la chimenea. La tubería de ventilación de pared simple no debe pasar a través de un ático desocupado, una pared interior, un espacio oculto o un piso. La tubería de ventilación de pared simple sin aislamiento no debe usarse al aire libre para ventilar artefactos en regiones donde la temperatura en invierno esté por debajo del punto de congelación.

REEMPLAZO DEL EQUIPO EXISTENTE

Si el calefactor se instala para reemplazar un equipo existente y se usa un sistema de ventilación existente, inspeccione la ventilación para ver si tiene el tamaño adecuado y la inclinación horizontal como se indica en estas instrucciones y en la última edición de la Norma Nacional de Gas Combustible, ANSI Z223.1 (NFPA 54) o en la norma de instalación CSA. B149.1.

Verifique que no haya obstrucciones, restricciones, fugas, corrosión u otras deficiencias que puedan causar peligros. La tubería de ventilación debe ser de acero galvanizado resistente a la corrosión, de un espesor que cumpla con la Norma Nacional de Gas Combustible. El grosor mínimo de los conectores varía según el diámetro de la tubería. Nunca ventile este calefactor con tubería de PVC o de plástico.

⚠️ ADVERTENCIA: Si reemplaza un calefactor existente, es posible que sea necesario cambiar el tamaño de los conductos de ventilación. Los sistemas de ventilación de tamaño inadecuado pueden provocar fugas de gas de ventilación o condensación. Consulte la Norma Nacional de Gas Combustible ANSI Z223.1 (NFPA 54) o CSA B149.1 - última edición. El no seguir estas instrucciones podría causar lesiones graves e incluso la muerte.

REQUISITOS GENERALES DE VENTILACIÓN

AVISO: La ventilación es un conducto, vertical o casi vertical, que se utiliza para transportar gases de combustión de un artefacto, o de su conector de ventilación, a la atmósfera exterior. El conector de ventilación es la tubería o conducto que conecta un artefacto de combustión a gas hacia un respiradero o una chimenea.

No mezcle diferentes partes del sistema de ventilación de diferentes fabricantes en el mismo sistema de ventilación.

Los conectores de ventilación que se utilizan con los artefactos de Categoría I y Categoría II no deben conectarse a ninguna parte de los sistemas de ventilación mecánica que operan bajo presión positiva.

Todas las juntas deben asegurarse con al menos dos tornillos resistentes a la corrosión. Después de la instalación, se debe comprobar que ninguna de las juntas tenga fugas de gas.

⚠️ CUIDADO: El calefactor y el sistema de ventilación deben ser inspeccionados una vez al año por una agencia de servicio calificada.

La configuración de la terminación de ventilación determina el tipo de categoría. Todos los modelos de calefactores deben instalarse de acuerdo con los requisitos de esta sección, así como los requisitos de determinación de su categoría, como se describe en este manual.

Requisitos para todos los modelos de Heatstar:

- La tubería de ventilación debe ser de acero galvanizado resistente a la corrosión, de un espesor que cumpla con la Norma Nacional de Gas Combustible.
- No exceda la longitud máxima de ventilación como se indica en la **Tabla 4**.
- Mantenga una longitud mínima de ventilación de 3 pies (914 mm).
- Haga que todas las uniones o conectores de la tubería de ventilación estén sujetos con al menos tres tornillos para chapa metálica resistentes a la corrosión (suministrados por el instalador).
- Mantenga un espacio libre de 6 pulgadas entre la tubería de ventilación de pared simple y cualquier material combustible a lo largo de todo su recorrido. Para tuberías de ventilación de doble pared (tipo B) siga lo recomendado por el fabricante de la ventilación para la distancia a materiales combustibles.
- La longitud equivalente para un codo a 90° de 4 pulgadas es de 5 pies.
- La longitud equivalente para un codo a 90° de 6 pulgadas es de 7 pies.
- Evite usar más de dos cambios direccionales de 90° en el sistema de ventilación.
- Cuelgue y fije todos los tramos horizontales en puntos separados por no más de 3 pies (914 mm).
- La terminación de ventilación debe estar separada a no menos de 6 pies de cualquier entrada de suministro de aire forzado.
- La ventilación debe terminar a un mínimo de 4 pies por debajo, 4 pies horizontalmente o 1 pie por encima de cualquier ventana

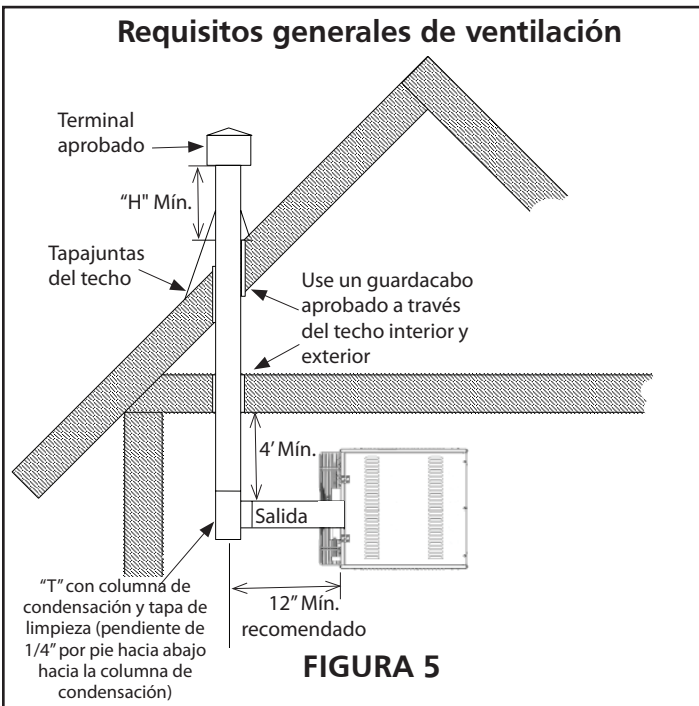
o puerta que se pueda abrir, o entrada de aire por gravedad al edificio.

- La ventilación debe terminar a un mínimo de 4 pies sobre el nivel del suelo y debe extenderse más allá de cualquier alero combustible. Cuando la condensación pueda ser un problema, el sistema de ventilación no debe terminar sobre pasillos públicos o sobre un área donde la condensación o el vapor podrían crear una molestia o peligro, o donde podrían ser perjudiciales para el funcionamiento de reguladores, aberturas de alivio u otros equipos.
- El terminal de ventilación debe instalarse para evitar cualquier bloqueo por nieve y proteger el material de construcción contra la degradación por los gases de combustión.
- La tapa de la ventilación debe estar a un mínimo de 6 pulgadas de la pared lateral del edificio.
- La ventilación debe terminar a un mínimo de 36 pulgadas por debajo, o debe extenderse más allá de cualquier alero combustible.
- Consulte los criterios para la terminación de ventilación de gas NFPA ANSI Z223.1 para las ventilaciones que terminen en un techo con una inclinación que excede las 9:12.
- Canadá: las rejillas de ventilación deben terminar a un mínimo de 3 pies (914 mm) de cualquier ventana o puerta que se pueda abrir y de una entrada de suministro de aire no forzado o de una entrada de aire de combustión al edificio.

Modelo	Diámetro del tubo de ventilación	Longitud de ventilación equivalente	
		Mínima	Máxima
HSU200NG	4"	3'	70'
HSU250NG	6"	3'	70'
HSU300NG			
HSU400NG			

TABLA 4

Diámetros de tubería de ventilación y longitudes equivalentes de tubería de ventilación para sistemas de ventilación horizontal



Cuando sea posible, evite ventilar a través de un espacio no acondicionado. La ventilación a través de un espacio no acondicionado promueve la condensación. Cuando la ventilación a través de un espacio no acondicionado sea inevitable, o si la unidad está instalada en un área propensa a la condensación, aisle los tramos de ventilación de más de 5 pies para minimizar la producción de condensación. Verifique que no existan fugas antes de aislar la ventilación y sólo use aislamiento que no sea combustible, que soporte una temperatura de no menos de 500 °F. Se recomienda que el sistema de ventilación se instale con una T, una columna de condensación y una tapa de limpieza como se muestra en la Figura 5.

Cuando la tubería de ventilación pase a través de una pared o piso interior combustible, se debe usar un guardacabo de metal con un diámetro 4 pulgadas mayor que el diámetro de la tubería de ventilación. Si existen 6 pies o más de tubería de ventilación antes de pasar a través de la pared o el piso combustible, entonces el guardacabo de metal solo necesita ser 2 pulgadas más grande que el diámetro de la tubería de ventilación. Si no se usa un guardacabo de metal, todo el espacio libre hasta los materiales combustibles desde el tubo de ventilación debe ser de 6 pulgadas. Donde esté permitido, se puede usar una ventilación tipo B para la última sección de la tubería de ventilación, para reducir el espacio libre requerido para los materiales combustibles al pasar a través de una pared o piso combustible. Cuando utilice una ventilación tipo B, siga el espacio libre recomendado por el fabricante para los materiales combustibles. Cualquier material utilizado para cerrar o aislar la abertura debe ser incombustible.

Cómo conectar un terminal de ventilación de pared simple a un tubo de ventilación de pared doble (Tipo B):

4. Busque la flecha de "flujo" en el tubo de ventilación.
5. Deslice el terminal de ventilación dentro del extremo de salida del tubo de ventilación de doble pared.
6. Taladre 3 orificios a través de la tubería y del terminal de ventilación. Con tornillos para láminas de metal de 3/4" de largo, fije la tapa a la tubería. No los ajuste de más.

Cómo conectar un sistema de ventilación de pared simple a un tubo de ventilación de pared doble (Tipo B):

7. Deslice el tubo de pared simple dentro de la pared interior del tubo de pared doble.
8. Taladre 3 orificios a través de ambas paredes de los tubos de ventilación de pared simple y doble. Con tornillos para láminas de metal de 3/4" de largo, conecte los 2 tramos de tubería. No los ajuste de más.
9. El espacio entre la tubería de pared simple y doble debe sellarse pero no es necesario llenar todo el volumen del área anular. Para sellarlo, use una capa generosa de silastic para 500 °F alrededor de la brecha.

VENTEO VERTICAL

Un artefacto que funciona con una presión estática de ventilación positiva y con una temperatura del gas de ventilación que evita la producción excesiva de condensación en la ventilación se denomina de "Categoría III". Este calefactor se considera un artefacto de Categoría III, siempre que el sistema de ventilación cumpla con todos los criterios siguientes:

- El sistema de ventilación termina verticalmente (hacia arriba).
- La longitud de la parte horizontal del tramo de ventilación es menos del 75% de la longitud vertical. (Por ejemplo, si la altura de ventilación vertical es de 10 pies, el recorrido horizontal es de menos de 7-1/2 pies).
- Las secciones horizontales de la tubería de ventilación deben instalarse con una pendiente hacia arriba desde el artefacto a un paso de 1/4 de pulgada por pie y deben suspenderse de manera segura desde el techo en puntos separados no más de 3 pies entre ellos.
- La ventilación termina a un mínimo de 5 pies por encima de la conexión de ventilación de la unidad.

Ventilación a través de techo o pared combustible

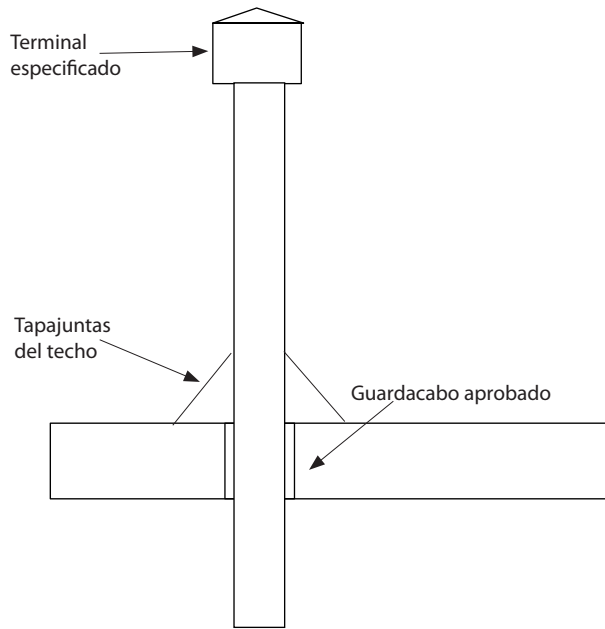


FIGURA 6

Para la terminación de ventilación vertical, la ventilación debe cumplir con todos los **Requisitos generales de ventilación** y con las siguientes ubicaciones y espacios libres de ventilación:

- Separe el conducto de entrada de aire del tubo de ventilación por un mínimo de 4 pies, colocando los tubos de ventilación más altos que los conductos de entrada de aire adyacentes.
- Utilice una tapa de terminación aprobada para ventilación tipo B.
- El terminal de ventilación debe extenderse un mínimo de 2 pies por encima del techo.
- Las tapas de ventilación deben ubicarse a un mínimo de 2 pies de distancia de las estructuras adyacentes.
- Todos los calefactores de ventilación vertical que sean de Categoría I deben estar conectados a una chimenea o ventilación que cumpla con una norma reconocida, o a una chimenea de mampostería (u hormigón) revestida con un material aceptable para la autoridad competente. No se permite ventilar en una chimenea de mampostería sin revestimiento. Consulte la Norma Nacional de Gas Combustible.
- Use un terminal de ventilación aprobado para reducir las corrientes de aire y la humedad en la ventilación.
- Asegúrese de que el conducto de ventilación sea lo más corto posible y con la menor cantidad de codos. Consulte la Norma nacional de gas combustible (EE.UU.), ANSI Z223.1 o con la CSA B149.1 (Canadá) Norma de instalación de gas natural y propano por el recorrido y el largo máximo de los conectores de ventilación. El recorrido horizontal del conector de ventilación desde el soplador de aire inducido hasta la chimenea/ventilación no puede exceder los valores de la Tabla 4.
- Cuando la longitud de un solo tramo de ventilación, incluyendo codos, exceda los 5 pies (1,5 m), deberá estar aislado a lo largo de todo su recorrido con fibra de vidrio de 1-1/2 de densidad, de 1/2" de espesor, recubierta en aluminio como mínimo. Si se utiliza ventilación de una sola pared en un área sin calefacción, deberá aislarse. El no hacerlo causará la condensación de gases de combustión.
- Todas las ventilaciones verticales tipo B-1, ventilaciones de una sola pared o sistemas de chimenea con recubrimiento listados deberán terminar en una tapa de ventilación o mecanismo para techo aprobados.
- La ventilación debe extenderse por lo menos 3 pies (1 m) por encima del punto más alto cuando pase a través del techo de un edificio y

debe ser por lo menos 2 pies (0,6 m) más alta que cualquier otra parte del edificio dentro de un radio de 10 pies (3,05 m), a menos que la Norma nacional de gas combustible (EE.UU.), ANSI Z223.1 o la CAN/CSA B149 (Canadá) Norma de instalación especifiquen lo contrario. La ventilación se debe extender por lo menos 5 pies (1,6 m) por encima de la ventilación del equipo más alto conectado.

VENTEO HORIZONTAL

Un artefacto que funciona con una presión estática de ventilación positiva y con una temperatura del gas de ventilación que evita la producción excesiva de condensación en la ventilación se denomina de "Categoría III". Este calefactor se considera un artefacto de Categoría III, siempre que el sistema de ventilación cumpla con todos los criterios siguientes:

- El sistema de ventilación termina horizontalmente (lateral).
- La ventilación termina verticalmente, pero la longitud de la parte horizontal del tramo de ventilación excede el 75% de la longitud vertical (por ejemplo, si la altura de ventilación vertical es de 10 pies, el recorrido horizontal es de más de 7-1/2 pies).
- Las secciones de ventilación horizontal de la tubería de ventilación deben instalarse con una pendiente descendente desde el aparato, a un paso de 1/4 de pulgada por pie.
- La ventilación termina por debajo de los 5 pies de la conexión de ventilación de la unidad.

Debido a los cambios en la Z83-8 2009 CSA2.6-2009, no se permite más el uso de ventilación tipo B de una sola pared como material aceptable para ventilar horizontalmente. Este cambio incluye instalaciones residenciales y comerciales. Todas las unidades con ventilación horizontal fabricadas después de julio del 2011 deben ventilarse como calefactores/ unidades Categoría III de acuerdo con la UL 1738 y ULS636.

Selle las tuberías de ventilación con sellador para alta temperatura y tres (3) tornillos #8 para láminas de metal. Ventile los espacios cerrados y los edificios de acuerdo con las pautas de este manual y con las normas nacionales, estatales, provinciales y locales aplicables.

Debe usar una ventilación aprobada para aplicaciones de Categoría III y fabricada por un fabricante de sistema de ventilación certificado. Para sistemas de ventilación de pared simple, se puede usar una sección continua de tubería de ventilación de pared doble con el sistema de ventilación para atravesar una pared o barrera.

Todas las ventilaciones horizontales de Categoría III deben terminar en una tapa de ventilación certificada.

Construcción de salida de ventilación a través de paredes combustibles

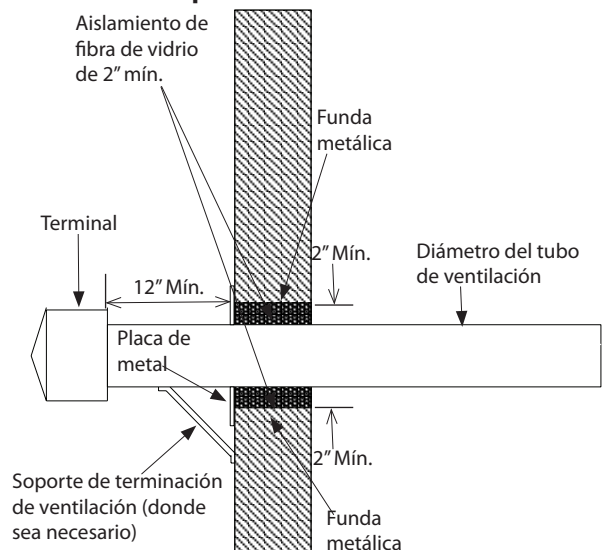
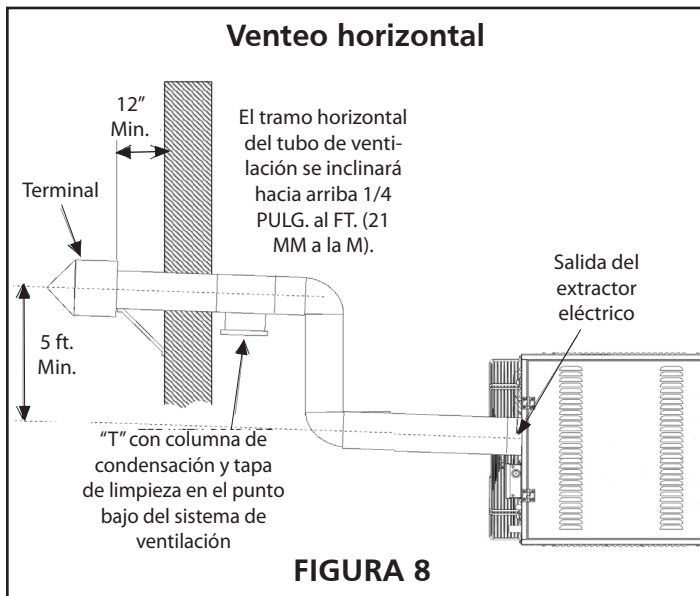


FIGURA 7

Requisitos adicionales para ventilación horizontal:

- Los sistemas de ventilación de Categoría III NO pueden tener ventilación común y no se permite que se conecten otras unidades de gas al mismo sistema.
- La ventilación debe terminar a un mínimo de 3 pies (914 mm) por encima de cualquier entrada de aire forzado que se encuentre dentro de los 10 pies.
- La parte inferior del terminal de ventilación debe quedar a un mínimo de 12 pulgadas de la pared y debe extenderse más allá de cualquier alero combustible.
- Cuando se ventila horizontalmente, el espacio mínimo para la terminación de cualquier puerta, ventana, entrada de aire por gravedad, medidor de gas o eléctrico, reguladores y equipo de alivio es de 4 pies (1,2 m) para instalaciones en EE. UU. Consulte NFPA 54 / ANSI Z223.1 en los EE. UU. Y el Código de instalación de gas natural y propano CSA B149.1 y .2 en Canadá o con las autoridades que tengan jurisdicción local. En Canadá, la terminación de ventilación debe tener un espacio mínimo horizontal de 1,8 m (6 pies) desde los medidores de gas y electricidad y los dispositivos de alivio, como se especifica en el Código de instalación de gas natural canadiense B149.1.
- Nunca una dos secciones de tubería de ventilación de doble pared en un sistema de ventilación horizontal, ya que es imposible verificar que las tuberías internas estén completamente selladas.
- Para una terminación de ventilación ubicada debajo de un alero, la distancia del voladizo debe ser de al menos 24 pulgadas. El espacio libre a los combustibles por encima de la ventilación exterior debe mantenerse en un mínimo de 12 pulgadas. Consulte la Norma Nacional de Gas Combustible para conocer los requisitos adicionales para aleros que tengan aberturas de ventilación.
- Para ventilación horizontal, la tubería de ventilación debe estar apoyada con colgadores a no más de 3 pies (1 m) de distancia para evitar el movimiento después de la instalación.



REQUISITOS DEL AIRE DE COMBUSTIÓN

Se deben proporcionar las instalaciones adecuadas para el suministro de aire para la combustión y la ventilación de acuerdo con la última edición de la sección 5.3 Aire para la combustión y la ventilación de la Norma nacional de gas combustible ANSI Z223.1 en los EE.UU., la Norma de instalación de gas natural y propano CSA B149.1, las normas nacionales de Canadá o las regulaciones correspondientes de las normas locales de construcción.

Todos los calefactores a gas requieren aire para el proceso de combustión. En muchos edificios de hoy en día, existe una presión negativa en el aire interior causada por los ventiladores de escape, etc. Si no se dispone de suficiente cantidad de aire de combustión, el calefactor u otro artefacto funcionará de manera ineficiente, dando como resultado una combustión incompleta que podría causar una producción excesiva de monóxido de carbono.

Siga estas pautas y todas las normas aplicables para todos los modelos antes de instalar el conducto de aire de combustión.

⚠ADVERTENCIA: Se debe suministrar suficiente aire de combustión al artefacto en todo momento. La falta de aire de combustión puede provocar daños materiales, dolores de cabeza, náuseas, mareos, asfixia, lesiones graves o la muerte.

CONEXIONES DE GAS

⚠ADVERTENCIA: Peligro de explosión e incendio. Las líneas de gas mal conectadas pueden provocar lesiones graves y la muerte, explosión, vapores venenosos, gases tóxicos o asfixia. Conecte las líneas de gas de acuerdo con las normas nacionales, estatales, provinciales y locales. Este calefactor quema gas natural o gas licuado de petróleo (LP) y viene equipado con un regulador. El regulador está integrado a la válvula de gas. La presión máxima de entrada a este regulador es de 20 pulgadas de C.A.. Si la presión de la línea de gas excede las 20 pulgadas de C.A., se debe instalar un regulador adicional antes del calefactor/regulador para reducir la presión a un máximo de 20 pulgadas de C.A. Todas las tuberías de gas de la instalación deben someterse a pruebas de presión/fugas antes de su funcionamiento. Nunca use una llama. Utilice una solución de agua jabonosa u otro método adecuado para la prueba. Debe seguir exactamente estas instrucciones. Si se produce un sobrecalentamiento, o si el suministro de gas no se cierra, cierre la llave manual de gas que alimenta el artefacto antes de desconectar la energía eléctrica.

⚠CUIDADO: Las líneas de gas deben purgarse de aire como se describe en ANSI Z223.1 (NFPA 54) o CSA-B149.1 - última versión. La instalación de las tuberías también debe cumplir con las normas locales de construcción o, en su defecto, con la última edición de la Norma Nacional de Gas Combustible (NFPA 54). En Canadá, la instalación debe cumplir con CSA B149.1.

Al realizar pruebas de fugas en el sistema de tuberías de suministro de gas, el artefacto y su control de gas combinado deben aislarse durante cualquier prueba de presión superior a 14 pulgadas de columna de agua (1/2 psi). La unidad debe aislarse del sistema de tuberías de suministro de gas cerrando su válvula de paso manual instalada en el campo. Esta válvula de paso manual debe ubicarse a no más de 6 pies del calefactor. Corte el suministro de gas antes de instalar el artefacto.

AVISO: La entrada total al artefacto debe estar dentro de +/- 5% de la entrada nominal como se indica en la placa de características. De lo contrario, el intercambiador de calor puede fallar prematuramente.

Todas las tuberías instaladas deben cumplir con las normas y ordenanzas locales o con la Norma Nacional de Gas Combustible ANSI Z223.1 (NFPA 54), la que tenga precedencia. Al instalar las tuberías, se deben considerar los siguientes requisitos: Las instalaciones canadienses deben cumplir con la norma para gas B149.1.2.

- Utilice tubería negra nueva y correctamente escariada, sin virutas.
- Coloque compuesto para tuberías de buena calidad en todas las roscas macho antes de unirlos. Si el combustible es gas LP, verifique que el compuesto para tuberías resista el gas LP. **No utilice cinta de Teflon^{MR}.**

	Conexión del suministro de gas	Presión mín. del suministro de gas	Presión máx. del suministro de gas	Presión del colector	Tamaño del orificio	Cant. de orificios	Consumo
	[pulgadas]	[pulgadas C.A.]	[pulgadas C.A.]	[pulgadas C.A.]	[pulgadas]		[CFH]
HSU200NG	1/2	7	20	4,5	0,110	6	190,5
HSU250NG	1/2	7	20	4,9	0,110	7	238,1
HSU300NG	1/2	7	20	1,73	0,138	9	285,7
HSU400NG	3/4	7	20	2,13	0,138	11	380,9

TABLA 5: Consumo de gas natural

*Asumiendo un valor calorífico medio de 1050 BTU/SCF y una gravedad específica de 0,60.

	Conexión del suministro de gas	Presión mín. del suministro de gas	Presión máx. del suministro de gas	Presión del colector	Tamaño del orificio	Cant. de orificios	Consumo	
	[pulgadas]	[pulgadas C.A.]	[pulgadas C.A.]	[pulgadas C.A.]	[pulgadas]		[CFH]	[Gal/h. de propano]
HSU200NG	1/2	11	20	7,23	0,075	6	80,0	2,19
HSU250NG	1/2	11	20	7,23	0,075	7	100,0	2,74
HSU300NG	1/2	11	20	3,81	0,084	9	120,0	3,29
HSU400NG	3/4	11	20	4,74	0,084	11	160,0	4,38

TABLA 6: Consumo de gas propano

*Asumiendo un valor calorífico medio de 2500 BTU/SCF y una gravedad específica de 1,53.

- Deberá instalar un separador de sedimentos que cumpla los requisitos típicos de la Figura 9 en la línea que va a la válvula de gas.
- Deberá instalar una llave de corte dedicada para el calefactor en la línea de suministro de gas.

Consulte la **Tabla 5** para gas natural y la **Tabla 6** para propano, para determinar los pies cúbicos por hora (CFH) requeridos para el tipo de gas y el tamaño de la unidad que se instalará. Para determinar el diámetro adecuado de la tubería, use el valor de CFH y la longitud de tubería necesaria. En el caso de que varias unidades sean alimentadas por la misma línea de gas principal, la capacidad total (CFH) y la longitud de la tubería principal deben ser adecuadas para abastecer a todos los artefactos que se encuentran conectados a esa tubería principal.

- Todas las tuberías deben instalarse de acuerdo con los requisitos descritos en la Norma Nacional de Gas Combustible ANSI/Z223.1 (última edición) o CSA-B149.1 y B149.2. Sostenga todas las tuberías de suministro de gas con soportes para tuberías, flejes metálicos u otro material adecuado. No confíe en el calefactor para sostener la tubería de gas.

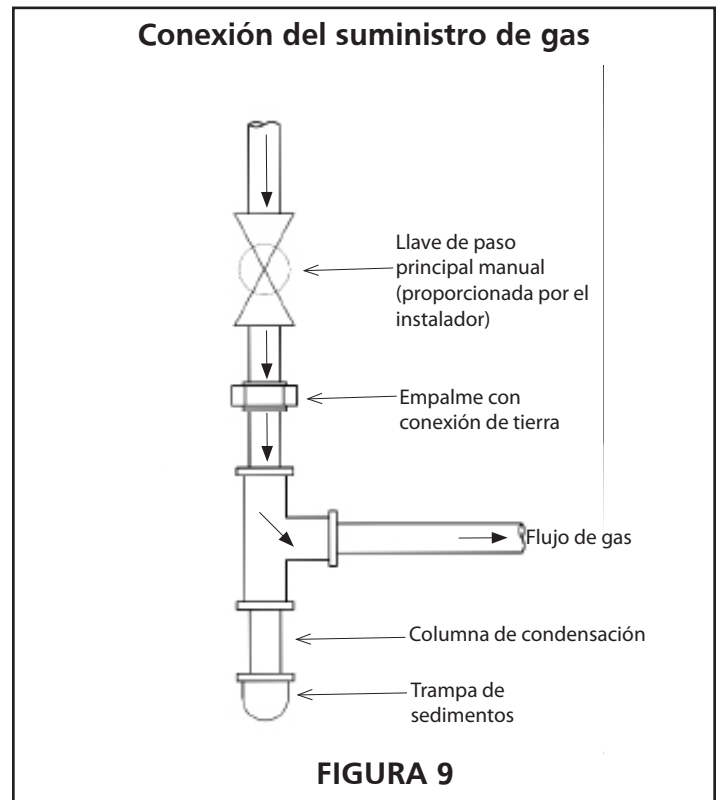
⚠ADVERTENCIA: Utilice siempre dos (2) llaves opuestas para apretar conexiones de tubería, para evitar un torque excesivo en la válvula de gas y en la tubería del distribuidor. Un torque excesivo puede dañar la válvula y/o desalinearse el orificio, provocando un incendio, una explosión, lesiones graves o la muerte.

- Al conectar las líneas de suministro de gas, hay que considerar la longitud de la tubería desde el medidor de gas hasta el calefactor al calcular el tamaño de la tubería para evitar una caída de presión excesiva.
- Hay que instalar una columna de condensación en el caño vertical que se dirige a la unidad. En algunas localidades, las normas pueden requerir la instalación de una llave de corte manual general y una unión (suministradas por el instalador) externas a la unidad. La unión debe ser del tipo con conexión a tierra. La

columna de condensación debe ser accesible para poder limpiarla y vaciarla. Consulte la Figura 9.

AVISO: Deje una separación mínima de 4" entre la parte de atrás del calefactor y la caja de conexiones eléctricas para permitir el acceso.

Hay que instalar una conexión NPT de 1/8" tapada inmediatamente corriente arriba de la conexión de alimentación de gas del calefactor. Es para poder verificar que exista la presión de gas adecuada a la entrada del calefactor.



PRUEBA DE FUGAS

⚠ADVERTENCIA: Utilice una solución de agua jabonosa u otro método adecuado para la prueba. Nunca pruebe si hay fugas con una llama, como con fósforos o velas. Hacer eso podría causar lesiones personales, daños materiales o la muerte.

- Siempre realice una prueba de fugas en la instalación de gas final para detectar fugas de gas de acuerdo con los procedimientos descritos en NFPA 54 y todas las reglamentaciones y/o normas locales.
- Luego de completar las tuberías, revise cuidadosamente todas las conexiones (las de fábrica y las realizadas en el lugar) para verificar que no tengan fugas.
- Debido a los ciclos naturales de calentamiento y a la vibración de la unidad, se recomienda como parte de su mantenimiento anual, revisar que estas conexiones estén bien ajustadas y que no presenten fugas, con una solución de agua jabonosa u otro método adecuado antes de poner en servicio la unidad.

Para detectar fugas en presiones inferiores a 20 pulgadas de columna de agua:

Antes de la prueba de fugas, cierre la válvula de paso manual instalada en campo que se muestra en la Figura 9 en la línea de suministro para aislar la válvula de gas de la presión.

AVISO: Todas las conexiones de gas instaladas en fábrica han pasado una prueba de fugas aprobada.

Para detectar fugas en presiones superiores a 20 pulgadas de columna de agua:

Al realizar pruebas de fugas con presiones superiores a 20 pulgadas de columna de agua, la unidad debe estar aislada de la tubería de suministro. Cierre la válvula de paso manual instalada en el campo, desconecte la línea de suministro a la unidad y tape temporalmente la línea de suministro durante la prueba.

⚠ADVERTENCIA: Las presiones de gas sobre los controles del artefacto nunca deben exceder las 20 pulgadas de columna de agua. Las presiones de suministro superiores a 20 pulgadas de columna de agua pueden dañar los controles y provocar lesiones personales, daños materiales o la muerte.

AVISO: En caso de necesitar un apagado de emergencia, cierre la llave general de gas y desconecte la alimentación eléctrica de la unidad. El instalador debe rotular correctamente esos dispositivos.

FUNCIONAMIENTO EN LUGARES MUY ALTOS

⚠ ADVERTENCIA



Peligro de explosión. Este calefactor debe ser convertido únicamente por personal autorizado y capacitado en artefactos a gas. El no hacerlo podría causar lesiones personales, asfixia, muerte, incendio o daños materiales.

Este calefactor viene configurado de fábrica para altitudes de 0 a 2000 pies sobre el nivel del mar. Por encima de 2000 pies (610 m), la presión del colector debe ajustarse de acuerdo con las siguientes tablas:

Modelo	Altitud 0-2000 ft. (0-610m)				Altitud 2000-3000 ft. (610-910mm)			
	Presión del Colector		Clasificación de Entrada		Presión del Colector		Clasificación de Entrada	
	[" W.C.]	[kPa]	[BTU/Hr]	[W]	[" W.C.]	[kPa]	[BTU/Hr]	[W]
HSU200NG	4.5	1.12	200,000	58,614	4.15	1.03	192,000	56,269
HSU250NG	4.9	1.22	250,000	73,268	4.52	1.12	240,000	70,337
HSU300NG	1.73	0.43	300,000	87,921	1.59	0.40	288,000	84,404
HSU400NG	2.13	0.53	400,000	117,228	1.96	0.49	384,000	112,539

Modelo	Altitud 3000-4000 ft. (910-1220m)				Altitud 4000-4500 ft. (1220-1350mm)			
	Presión del Colector		Clasificación de Entrada		Presión del Colector		Clasificación de Entrada	
	[" W.C.]	[kPa]	[BTU/Hr]	[W]	[" W.C.]	[kPa]	[BTU/Hr]	[W]
HSU200NG	3.81	0.95	184,000	53,925	3.65	0.91	180,000	52,753
HSU250NG	4.15	1.03	230,000	67,407	3.97	0.99	225,000	65,941
HSU300NG	1.46	0.36	276,000	80,887	1.40	0.35	270,000	79,129
HSU400NG	1.80	0.45	368,000	107,850	1.73	0.43	360,000	105,505

TABLA 7: Calentamiento del gas natural en función de la altitud

Modelo	Altitud 0-2000 ft. (0-610m)				Altitud 2000-3000 ft. (610-910mm)			
	Presión del Colector		Clasificación de Entrada		Presión del Colector		Clasificación de Entrada	
	[" W.C.]	[kPa]	[BTU/Hr]	[W]	[" W.C.]	[kPa]	[BTU/Hr]	[W]
HSU200NG	7.23	1.8	200,000	58,614	6.66	1.66	192,000	56,269
HSU250NG	7.23	1.8	250,000	73,268	6.66	1.66	240,000	70,337
HSU300NG	3.81	0.95	300,000	87,921	3.51	0.88	288,000	84,404
HSU400NG	4.74	1.18	400,000	117,228	4.37	1.09	384,000	112,539

Modelo	Altitud 3000-4000 ft. (910-1220m)				Altitud 4000-4500 ft. (1220-1350mm)			
	Presión del Colector		Clasificación de Entrada		Presión del Colector		Clasificación de Entrada	
	[" W.C.]	[kPa]	[BTU/Hr]	[W]	[" W.C.]	[kPa]	[BTU/Hr]	[W]
HSU200NG	6.12	1.52	184,000	53,925	5.86	1.46	180,000	52,753
HSU250NG	6.12	1.52	230,000	67,407	5.86	1.46	225,000	65,941
HSU300NG	3.22	0.80	276,000	80,887	3.09	0.77	270,000	79,129
HSU400NG	4.01	1.00	368,000	107,850	3.84	0.96	360,000	105,505

TABLA 8: Calentamiento del gas propano en función de la altitud

En caso de que la presión del colector cambie por este motivo, la etiqueta de altitud en el kit de conversión debe completarse y pegarse a la unidad:

Este aparato se convirtió en _____ (día-mes-año) para operación en _____ ft. (____m) altitud por _____ (nombre y dirección del organización que realiza esta conversión) que acepta la responsabilidad de que esta conversión se ha realizado correctamente.
Ajuste de presión del colector ____ W.C. Clasificación de Entrada ____ Btu/hr

REQUISITOS ELÉCTRICOS

⚠ ADVERTENCIA



Peligro de descarga eléctrica. Desconecte la fuente de alimentación antes de realizar las conexiones de cableado para evitar descargas eléctricas y daños al equipo. Todos los artefactos deben estar cableados estrictamente de acuerdo con el diagrama de cableado suministrado con los mismos. Cualquier cableado diferente al del diagrama de cableado podría causar peligros personales y materiales.

Asegúrese de que el voltaje de suministro al aparato, como se indica en la placa de especificaciones, no difiera más del +/-5% del voltaje nominal.

Cualquier cableado original de fábrica que requiera reemplazo debe reemplazarse con material de cableado que soporte una temperatura nominal de al menos 221 °F (105 °C).

- La instalación del cableado debe cumplir con las normas de construcción locales, o en su defecto, con la Norma Eléctrica Nacional ANSI/NFPA 70 - Última edición. La unidad debe estar conectada eléctricamente a tierra de acuerdo con esa norma. En Canadá, el cableado debe cumplir con CSA C22.1, Parte 1, de la Norma eléctrica.
- Cada unidad viene con dos copias del diagrama de cableado para la unidad. Uno está ubicado en el compartimiento de control de acceso lateral y el otro se suministra en el paquete de documentación. Consulte este diagrama para conocer todas las conexiones del cableado.
- Asegúrese de que todos los componentes de voltaje múltiple (motores, transformadores, etc.) estén conectados de acuerdo con el voltaje de la fuente de alimentación.
- La fuente de alimentación de la unidad debe protegerse con un interruptor con fusible o disyuntor, de modo que se pueda desconectar la alimentación para realizar el mantenimiento.

	Fuente de alimentación				
	[V]	[A]	[Hz]	[Ph]	[W]
HSU200NG	120	6,3	60	1	756
HSU250NG	120	6,3	60	1	756
HSU300NG	120	10	60	1	1.200
HSU400NG	120	10	60	1	1.200

TABLA 9: Especificaciones Eléctricas

Las conexiones de servicio eléctrico externo que deben instalarse incluyen:

- Conexión de alimentación (115, 208, 230, 460 o 575 voltios).
- Conexión de termostatos, o cualquier otro dispositivo de control accesorio que venga incluido (24 voltios).

Todas las conexiones eléctricas de alimentación se realizan en el compartimiento de control de acceso lateral de la unidad. El bajo voltaje (termostato y dispositivos de control de accesorios) se puede conectar a los terminales en el compartimiento de control de acceso lateral. Consulte el diagrama de cableado para conocer la ubicación de los terminales de todo el cableado de bajo voltaje.

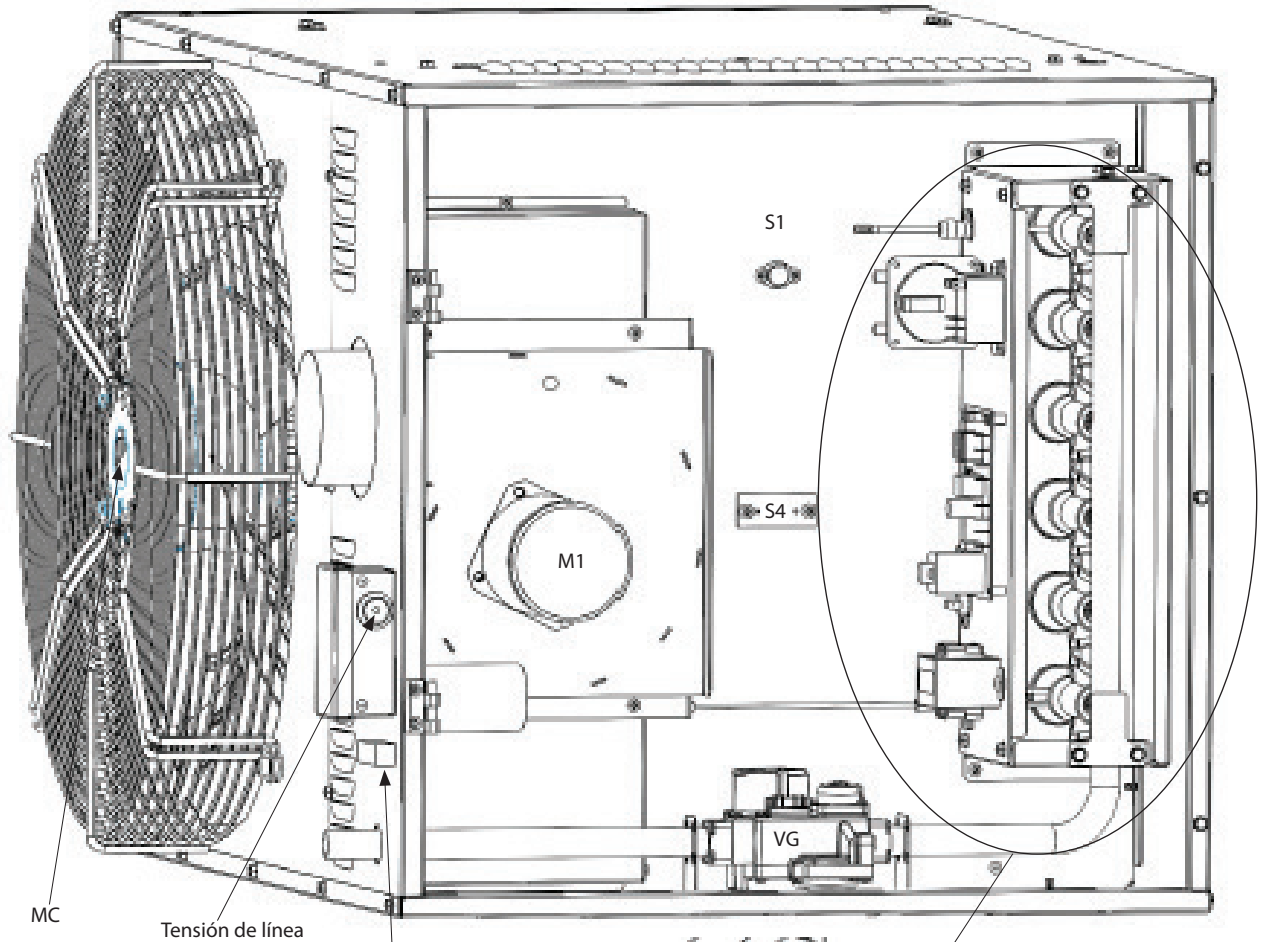
AVISO: Estos calefactores usan un sistema de encendido directo por chispa. No necesitan un piloto ya que la chispa enciende el quemador principal cuando se abre la válvula del gas. La placa de control del encendido directo emite ruido de radiofrecuencia al encender el quemador. El nivel de energía puede ser suficiente como para interferir con un circuito digital en un termostato controlado por microprocesador. Le recomendamos utilizar un relé de aislación al conectar el calefactor a un termostato controlado por microprocesador. Elija la protección del circuito y el tamaño de los cables de acuerdo con la placa de especificaciones de la unidad. Remueva la tapa de la caja de conexiones eléctricas y conecte los cables a través de uno de los orificios de la caja, al costado del calefactor. Consulte el diagrama de cableado del calefactor por información acerca de la conexión. Utilice un cable para las conexiones de alimentación de línea con la sección adecuada de acuerdo con los datos de energía eléctrica indicados en la **Tabla 9** y su longitud. Asegúrese de conectar los cables de alimentación en la caja externa de conexión eléctrica detrás de la tapa de la caja de conexiones. **NO CONECTE LA ALIMENTACIÓN A LOS TERMINALES DEL TERMOSTATO, EN LA PARTE EXTERIOR DEL CALEFACTOR.**

Conecte la unidad a tierra de acuerdo con las normas locales, y en su defecto, de acuerdo con la actual Norma nacional de electricidad (ANSI/NFPA No. 70) en los EE.UU., y la actual Norma eléctrica canadiense CSA C22.1 parte 1 en Canadá.

El cable de tierra desnudo debe cubrirse con cinta aisladora para evitar daños al sistema eléctrico.

- Haga las conexiones al voltaje de línea como se indica en la Figura 10. Conecte el cableado del lugar como se indica en el diagrama de cableado de la unidad. También, consulte el diagrama típico de este manual.
- Si desea usar el soplador solamente para hacer circular el aire, su termostato deberá tener un ajuste de "fan only" o selecciones de ventilador. Si su termostato tiene esta opción, deberá instalar un cable adicional hasta el terminal "↗" del bloque de conexiones del termostato. Vea el esquema de cableado en la Figura 11.

Componentes principales



MC

Tensión de línea

Conector de cableado del termostato al calefactor

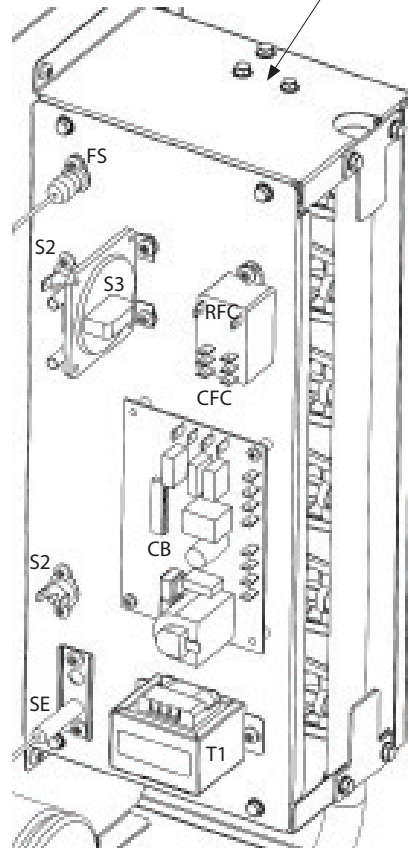
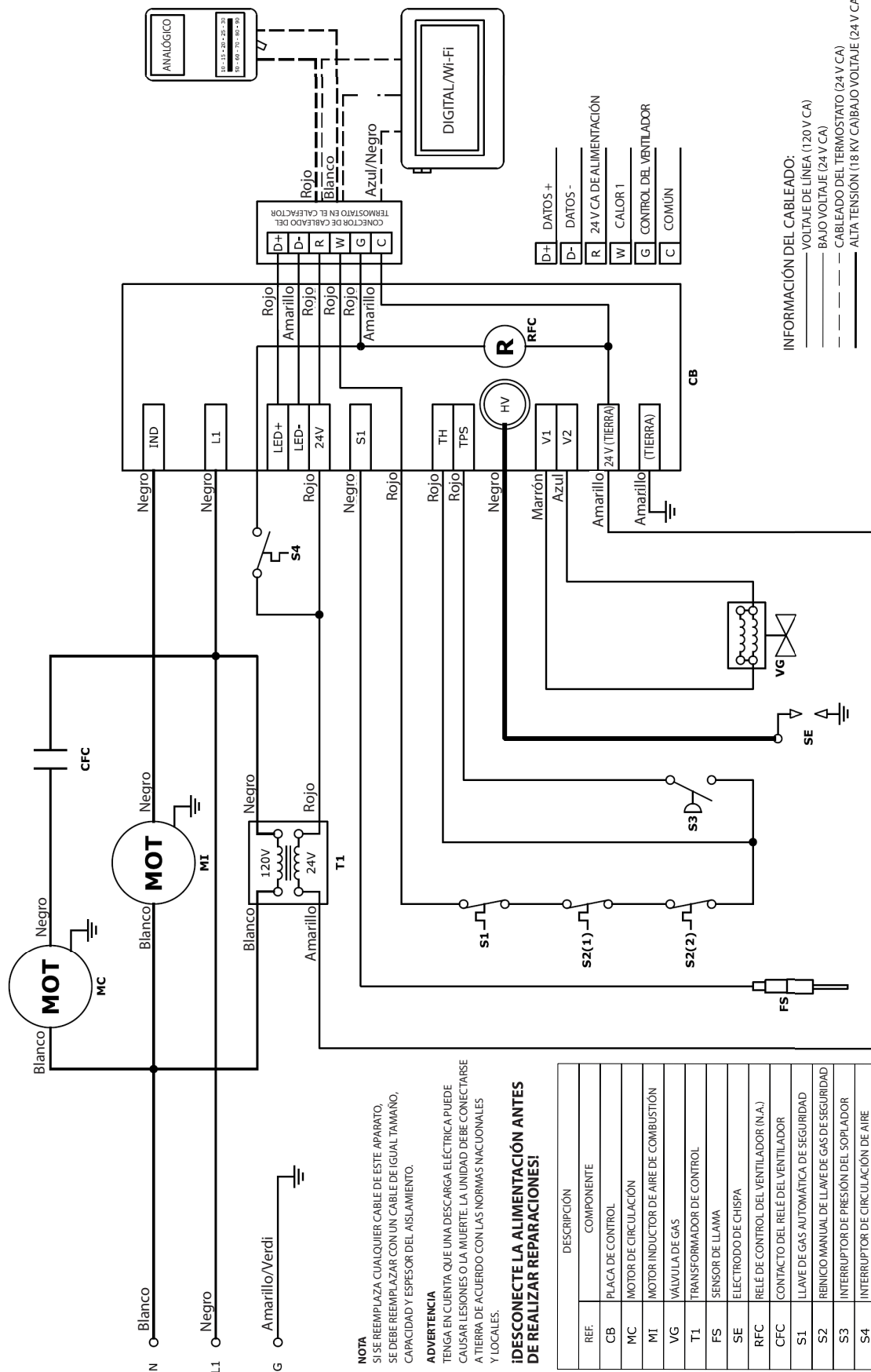


FIGURA 10

Diagrama de Cableado Interno



NOTA
 SI SE REEMPLAZA CUALQUIER CABLE DE ESTE APARATO, SE DEBE REEMPLAZAR CON UN CABLE DE IGUAL TAMAÑO, CAPACIDAD Y ESPESOR DEL AISLAMIENTO.

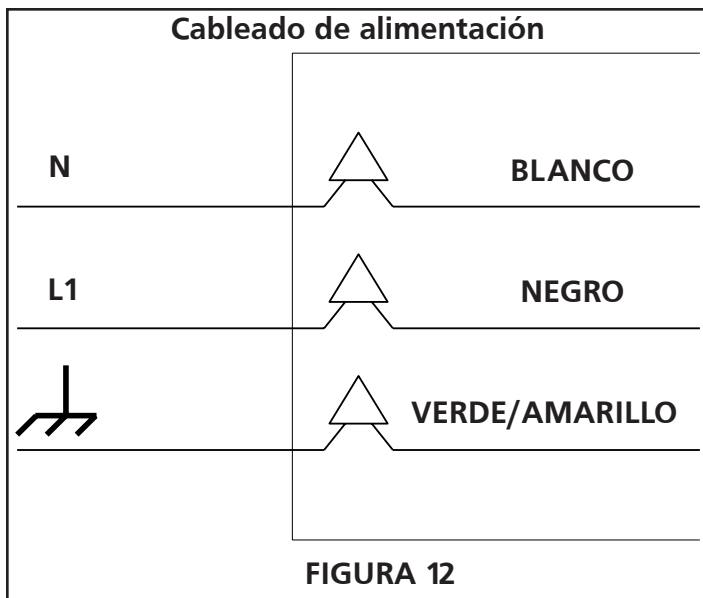
ADVERTENCIA
 TENGA EN CUENTA QUE UNA DESCARGA ELÉCTRICA PUEDE CAUSAR LESIONES O LA MUERTE. LA UNIDAD DEBE CONECTARSE A TIERRA DE ACUERDO CON LAS NORMAS NACIONALES Y LOCALES.

¡DESCONECTE LA ALIMENTACIÓN ANTES DE REALIZAR REPARACIONES!

REF.	DESCRIPCIÓN
CB	PLACA DE CONTROL
MC	MOTOR DE CIRCULACIÓN
MI	MOTOR INDUCTOR DE AIRE DE COMBUSTIÓN
VG	VALVULA DE GAS
T1	TRANSFORMADOR DE CONTROL
FS	SENSOR DE LLAMA
SE	ELECTRODO DE CHISPA
RFC	RELE DE CONTROL DEL VENTILADOR (N.A.)
CFC	CONTACTO DEL RELE DEL VENTILADOR
S1	LLAVE DE GAS AUTOMÁTICA DE SEGURIDAD
S2	REINICIO MANUAL DE LLAVE DE GAS DE SEGURIDAD
S3	INTERRUPTOR DE PRESIÓN DEL SOPLADOR
S4	INTERRUPTOR DE CIRCULACIÓN DE AIRE

INFORMACIÓN DEL CABLEADO:
 — VOLTAJE DE LÍNEA (120 V CA)
 — BAJO VOLTAJE (24 V CA)
 - - - CABLEADO DEL TERMOSTATO (24 V CA)
 — ALTA TENSION (18 KV/BAJO VOLTAJE (24 V CA))

FIGURA 11



- Conecte los cables con conectores para cables aprobados por UL.

AVISO: Se puede instalar un interruptor aprobado por UL en la caja de conexiones de 2x4 para usar como desconexión de servicio.

⚠ CUIDADO: Tienda los cables de alimentación en el campo de manera que no entren en contacto con la cubierta de la chimenea o de la ventilación. Estas superficies calientes pueden dañar el aislamiento del cable y dañar la unidad.

UBICACIÓN DEL TERMOSTATO

La ubicación del termostato debe estar determinada por los requisitos de calefacción deseados y debe montarse en una pared interior a cinco (5) pies sobre el piso acabado. Coloque el termostato en un lugar visible, lejos de donde pueda verse afectado por el calor de la unidad o de otras fuentes, ya que esto puede provocar que la unidad tenga un ciclo corto. Se debe tener cuidado de ubicar el termostato lejos de corrientes de aire o puertas que se abren con frecuencia. Para evitar que las corrientes de aire dentro de la pared afecten el rendimiento del termostato, tape el orificio del cable con aislamiento o con un sellador adecuado. Para obtener más información, consulte las instrucciones que vienen con el termostato.

PROCEDIMIENTO DE ENCENDIDO ENCENDIDO DE LA UNIDAD

⚠ ADVERTENCIA: La instalación, ajuste, alteración, reparación o mantenimiento inadecuados pueden causar daños materiales, lesiones graves o la muerte. Este calefactor debe ser instalado y reparado únicamente por personal capacitado en instalación y reparación de gas. Durante el encendido del calefactor, asegúrese de que el edificio esté bien ventilado.

⚠ CUIDADO: Peligro de descarga eléctrica. Antes de intentar cualquier reparación o mantenimiento, corte la alimentación eléctrica de la unidad desde la llave general. Durante la primera puesta en marcha, el calefactor generará olor y algunas veces vapor. Es el material utilizado para fijar las juntas del calefactor el que genera este olor/vapor. Este olor desaparecerá luego de unos 20 minutos y no volverá a aparecer. Durante estos 20 minutos se recomienda ventilar el recinto tanto como sea posible (abrir puertas, ventanas, encender ventiladores).

Comprobaciones previas al encendido

Verifique que la instalación cumpla con todas las especificaciones del manual, así como con las normas locales, estatales, nacionales y provinciales. En ausencia de normas locales, el calefactor debe instalarse de acuerdo con la Norma Nacional de Gas Combustible ANSI Z223.1 (NFPA 54) vigente. En Canadá, la instalación debe cumplir con la Norma Nacional de Canadá CSA-B149 vigente, Secciones 1 y 2.

Antes de poner en marcha la unidad, verifique que:

- El tipo de gas que figura en la etiqueta de especificaciones coincida con el de su aplicación.
- Las conexiones de gas se hayan purgado de aire y se haya verificado correctamente que no tenga fugas.
- Que el tipo de voltaje y la frecuencia que figuran en la etiqueta de especificaciones coincidan con los de su aplicación.
- Que la unidad esté debidamente conectada a tierra según la Norma Eléctrica Nacional, ANSI / NFPA 70 o la Norma Eléctrica Canadiense CSA C22.1 Parte 1.
- Que la unidad esté correctamente montada en una estructura permanente capaz de soportar el peso de la unidad.

⚠ ADVERTENCIA: Riesgo de descarga eléctrica. Podría causar lesiones o la muerte. No use este calefactor si alguna de las piezas ha estado bajo el agua. Contáctese de inmediato con un técnico de mantenimiento calificado para que inspeccione el calefactor y reemplace cualquier pieza del sistema de control y control de gas que haya estado bajo el agua. Antes de intentar cualquier reparación o mantenimiento, corte la alimentación eléctrica de la unidad desde la llave general. Puede llegar a tener varias llaves de alimentación.

VOLTAJE DE ALIMENTACIÓN DEL CABLEADO DE CAMPO

Antes de continuar con las conexiones eléctricas, asegúrese de que el voltaje de alimentación, la frecuencia, la fase y la capacidad de corriente cumplan los requisitos especificados en la placa de características. Un circuito de voltaje de línea dedicado con cable del tamaño adecuado debe ir directamente desde el panel eléctrico principal hasta el calefactor.

⚠ CUIDADO: La entrada de alimentación al calefactor debe estar dentro de +/- 5% del voltaje nominal indicado en la placa de especificaciones. Si el voltaje de entrada no cumple con estas especificaciones, comuníquese con su empresa de energía eléctrica.

- Se debe proporcionar una desconexión del servicio eléctrico en la ubicación del calefactor. Se puede montar una caja de conexiones de 2 x 4 directamente en el panel de la unidad utilizando el orificio de 1/2" provisto. Si las condiciones no lo permiten, ubique la desconexión de servicio a no más de 5 pies de distancia del panel de acceso de servicio.
- El suministro eléctrico principal ingresa por la parte trasera del calefactor utilizando un orificio ciego de 1/2". Al tender el conducto de suministro eléctrico a la unidad, asegúrese de que no interfiera ni obstruya el panel de acceso de servicio del calefactor.
- La unidad viene con tres cables para conectar la fuente de alimentación principal. Conecte los cables activo, neutro y a tierra como se muestra en el diagrama de cableado de campo. Al pasar los cables a través del orificio ciego, use un casquillo o boquilla de retención homologados por UL para evitar daños en el aislamiento del cable. Al operar esta unidad como un aparato de combustión sellado, la abertura del gabinete a la caja de conexiones debe sellarse herméticamente utilizando un revestimiento aprobado por UL o un sellador no reactivo aprobado por UL.

⚠ ADVERTENCIA: Los bordes de los agujeros de chapa pueden ser filosos. Use guantes como precaución al tender los cables.

- Que se haya respetado la altura de montaje adecuada para la aplicación.
- Que se haya mantenido todo el espacio libre a materiales combustibles o espacios libres de servicio.
- Que la unidad esté correctamente aislada o instalada para evitar vibraciones excesivas.
- Que la unidad esté nivelada horizontalmente.
- Que la ventilación esté instalada correctamente de acuerdo con este manual y con cualquier norma aplicable.
- Que el suministro de aire de combustión sea suficiente como para mantener el funcionamiento adecuado en todo momento.

Consulte el Anexo 1 para obtener la lista de verificación de encendido y rendimiento a completar para cada unidad.

Verifique que la presión de entrada sea adecuada

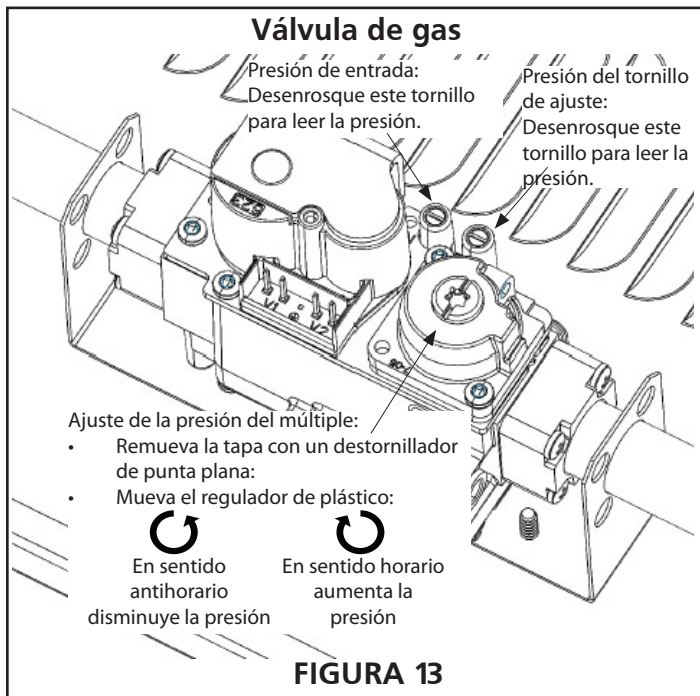
⚠ADVERTENCIA: Antes de encender la unidad, huela alrededor del calefactor en busca de gas. Asegúrese de oler cerca del piso ya que algunos gases son más pesados que el aire y se acumulan en el piso.

Al abrir la válvula de paso del gas, utilice únicamente su mano. Nunca use herramientas para girar las perillas, ya que puede dañar la válvula y provocar un incendio o una explosión. Si la perilla está atascada, no intente repararla.

Comuníquese con un técnico de servicio calificado o con su compañía de gas local.

Para verificar las presiones de entrada adecuadas, siga los siguientes pasos:

1. Cierre la entrada de gas con la llave de paso manual.
2. Desenrosque el tornillo dentro del conector de la manguera de presión de entrada. Consulte la Figura 13.
3. Abra la entrada de gas con la llave de paso manual.
4. Encienda la energía eléctrica de alimentación de la unidad.
5. Para encender los quemadores principales, ajuste el termostato de la habitación a un punto por encima de la temperatura ambiente.



AVISO: Esta unidad viene equipada con un dispositivo de ignición que enciende el quemador automáticamente. Este calefactor no se puede encender manualmente. No trate de encender el quemador con la mano.

Las presiones de suministro de gas de entrada mínima y máxima se indican en la Tabla 5 y en la Tabla 6.

Verifique la presión mínima de suministro de gas de entrada:

6. Encienda todos los demás aparatos a gas que estén en la misma línea de suministro. Si los otros aparatos a gas tienen múltiples entradas, ajústelos a la calefacción máxima.
7. Observe la indicación de presión en el manómetro.

Verifique la presión máxima de suministro de gas de entrada:

8. Apague todos los demás aparatos a gas que estén en la misma línea de suministro.
9. Observe la indicación de presión en el manómetro.

IMPORTANTE: Si la presión de suministro de gas de entrada no está dentro del rango mínimo y máximo como se muestra en la placa de especificaciones, comuníquese con su proveedor de gas.

Extracción del manómetro del puerto de entrada en la válvula de gas:

10. Ajuste el termostato u otro dispositivo de control en el punto de ajuste más bajo.
11. Una vez que el calefactor haya completado el ciclo de post-purgado, apague la energía eléctrica del calefactor.
12. Cierre la entrada de gas con la llave de paso manual.
13. Remueva el tubo del manómetro.
14. Enrosque el tornillo dentro del conector de la manguera de presión de entrada.
15. Verifique que no tenga fugas usando una solución de jabón o un método equivalente como se describe en ANSI Z223.1 (NFPA 54).

Verifique la presión del colector

Antes de encender la unidad, huela alrededor del calefactor en busca de gas. Asegúrese de oler cerca del piso ya que algunos gases son más pesados que el aire y se acumulan en el piso.

Al abrir la válvula de paso del gas, utilice únicamente su mano. Nunca use herramientas para girar las perillas, ya que puede dañar la válvula y provocar un incendio o una explosión. Si la perilla está atascada, no intente repararla, comuníquese con un técnico de servicio calificado o con su compañía de gas local.

Para verificar la presión adecuada del colector, siga los siguientes pasos:

1. Encienda la energía eléctrica de alimentación de la unidad.
2. Desenrosque el tornillo dentro del conector de la manguera de presión del colector.
3. Conecte el tubo del manómetro y el manómetro.
4. Encienda la energía eléctrica de alimentación de la unidad.
5. Para encender los quemadores principales, ajuste el termostato de la habitación a un punto por encima de la temperatura ambiente.

AVISO: Esta unidad viene equipada con un dispositivo de ignición que enciende el quemador automáticamente. Este calefactor no se puede encender manualmente. No trate de encender el quemador con la mano.

6. Una vez que la unidad se haya encendido con éxito, espere cinco minutos antes de tomar cualquier lectura. El calefactor debe estar en un estado estable de funcionamiento antes de tomar la lectura de presión del colector.
7. Mientras espera que la unidad se estabilice, observe las características de la llama. La llama debe ser estable y no debe elevarse de ningún quemador. El color del quemador debe ser azul claro y no generar ruido excesivo.
8. Luego de cinco minutos, observe la indicación de presión en el manómetro.

Las presiones de suministro de gas del colector mínima y máxima se indican en la Tabla 5 y en la Tabla 6:

AVISO: La presión del colector del calefactor viene preestablecida de fábrica. No debería ser necesario ningún ajuste.

Durante el proceso de verificación, una tolerancia de +/- 5% de la escala completa es aceptable debido a las diferentes condiciones atmosféricas.

Si la presión del colector está fuera de esta tolerancia, es posible que sea necesario realizar un ajuste.

9. Mueva el tornillo de ajuste hasta alcanzar la presión indicada en la placa de especificaciones.

Extracción del manómetro del puerto del colector en la válvula de gas:

10. Ajuste el termostato u otro dispositivo de control en el punto de ajuste más bajo.
11. Una vez que el calefactor haya completado el ciclo de post-purgado, apague la energía eléctrica del calefactor.
12. Cierre la llave de paso de gas.
13. Remueva el tubo del manómetro y el manómetro.
14. Enrosque el tornillo dentro del conector de la manguera de presión del colector (consulte la Figura 13).
15. Abra la llave de paso de gas.
16. Ajuste el termostato u otro dispositivo de control en el punto de ajuste más alto.
17. Espere hasta que arranque la unidad.
18. Verifique que el conector de la manguera de presión del colector no tenga fugas usando una solución de jabón o un método equivalente como se describe en ANSI Z223.1 (NFPA 54).

Antes de abandonar el lugar de trabajo

Antes de abandonar el lugar de trabajo, verifique que:

- La puerta de acceso de servicio está debidamente asegurada a la unidad.
- El calefactor esté libre de cualquier objeto que pueda interferir con la circulación de aire adecuada o que viole el espacio libre indicado para los materiales combustibles.
- Las rejillas de aire direccionales estén ajustadas para el flujo de aire deseado y no se cierren ni se ajusten a más de 60° con respecto a la perpendicular de la cara de la unidad.
- La llave de paso manual de gas está ABIERTA.
- La electricidad de alimentación esté ENCENDIDA.
- El termostato está ajustado a la temperatura deseada.
- Se hayan desechado correctamente todos los materiales de embalaje.
- Asegúrese de tener todas sus herramientas.
- Déjele el Manual de instalación, funcionamiento, mantenimiento y piezas al propietario o usuario final.

SECUENCIA DE FUNCIONAMIENTO DE LA UNIDAD

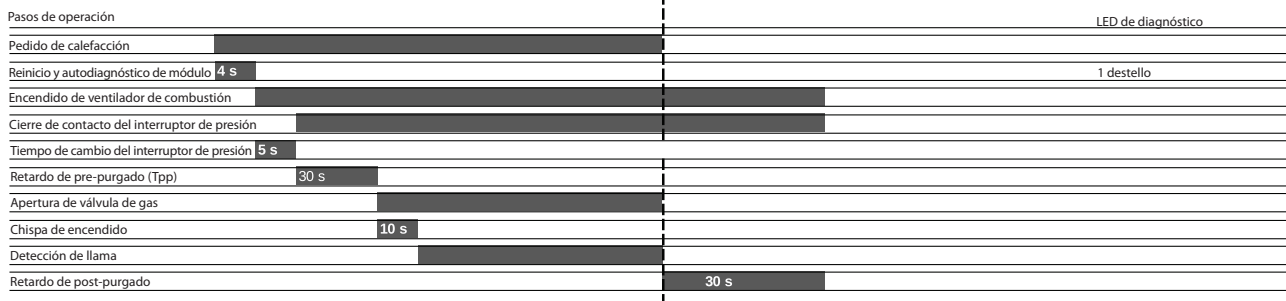
⚠ADVERTENCIA: POR SU SEGURIDAD, LEA ESTO ANTES DEL ENCENDIDO ANTES DE ENCENDERLO, huela alrededor del área del artefacto para verificar que no haya olor a gas. Asegúrese de oler cerca del piso ya que algunos gases son más pesados que el aire y se acumulan en el piso.

⚠ADVERTENCIA: Este artefacto no tiene una llama piloto. Está equipado con un dispositivo de ignición que enciende el quemador automáticamente. No trate de encender el sistema a mano.

Secuencia de encendido

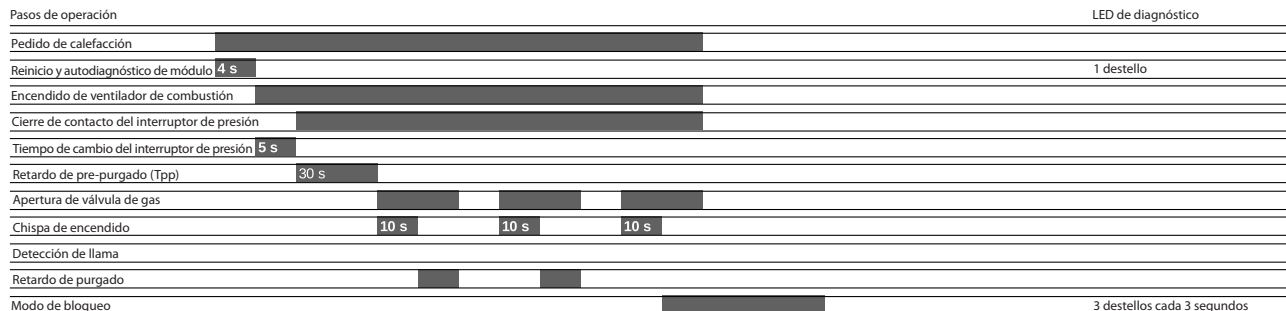
Secuencia de ENCENDIDO/CALEFACCIÓN

Secuencia de APAGADO



Secuencia de falla de llama de encendido

Secuencia de FALLA DE LLAMA EN EL ENCENDIDO (modeo de intentos múltiples; 3 intentos)



Secuencia de pérdida de llama

Secuencia de PÉRDIDA DE LLAMA (modo de intentos múltiples)

Pasos de operación	LED de diagnóstico
Pedido de calefacción	
Reinicio y autodiagnóstico de módulo	1 destello
Encendido de ventilador de combustión	
Cierre de contacto del interruptor de presión	
Tiempo de cambio del interruptor de presión 5 s	
Retardo de pre-purgado (Tpp) 30 s	
Apertura de válvula de gas	
Chispa de encendido 10 s	
Detección de llama	
Retardo de purgado	
Pérdida de llama	
Modo de bloqueo	3 destellos cada 3 segundos

Secuencia de cambio de condición del interruptor de presión por falla en el arranque

Secuencia de CAMBIO DEL INTERRUPTOR DE PRESIÓN POR FALLA EN EL ARRANQUE

Pasos de operación	LED de diagnóstico
Pedido de calefacción	
Reinicio y autodiagnóstico de módulo 4 sec	
Encendido de ventilador de combustión	
Cierre de contacto del interruptor de presión	
Tiempo de cambio del interruptor de presión 5 s	
Retardo de pre-purgado (Tpp)	
Apertura de válvula de gas	
Chispa de encendido	
Detección de llama	
Modo de bloqueo	1 destello cada 3 segundos

Secuencia de monitoreo de falla del flujo de aire de combustión

Secuencia de MONITOREO DE FALLA DE FLUJO DE AIRE DE COMBUSTIÓN | FALLA DEL INTERRUPTOR DE PRESIÓN

Pasos de operación	LED de diagnóstico
Pedido de calefacción	
Reinicio y autodiagnóstico de módulo 4 sec	
Encendido de ventilador de combustión	
Cierre de contacto del interruptor de presión	
Tiempo de cambio del interruptor de presión 5 s	
Retardo de pre-purgado (Tpp) 30 s	
Apertura de válvula de gas	
Chispa de encendido 10 s	

SECUENCIA DE OPERACIÓN

1. **¡DETÉNGASE!** Asegúrese de haber leído y comprendido toda la información de seguridad acerca de la operación de este artefacto a gas. Cualquier y toda reparación debe ser realizada por un instalador matriculado.
2. Coloque el termostato en su posición más baja.
3. Desconecte toda alimentación eléctrica al artefacto.
4. Este artefacto está equipado con un dispositivo de ignición que enciende el quemador automáticamente. **NO** intente encender los quemadores de forma manual.
5. Hay una válvula de cierre principal antes de la unidad. Ábrala. (Consulte la Figura 9 en la página 11).
6. Espere cinco minutos para que se disipe el gas. Si siente olor a gas, **¡DETÉNGASE!** Llame inmediatamente a la compañía de gas desde el teléfono de un vecino. Siga las instrucciones de la compañía de gas. Si no siente olor a gas, continúe con el paso siguiente.

7. Conecte la energía eléctrica a la unidad.
8. Coloque el termostato en la posición deseada.

⚠️ ADVERTENCIA: Si se produce un sobrecalentamiento, o si el sistema de control de suministro de gas no se cierra, cierre la llave manual de gas que alimenta el calefactor antes de desconectar la energía eléctrica.

PROCEDIMIENTOS DE APAGADO

1. Coloque el termostato en su posición más baja.
2. Apague toda alimentación eléctrica al artefacto si va a efectuar cualquier reparación.
3. Cierre la llave de paso manual que está antes de la unidad. No lo fuerce.

MANTENIMIENTO

⚠️ CUIDADO: Corte la entrada de gas y de energía eléctrica a la unidad antes de realizar cualquier mantenimiento o reparación sobre la misma. Recuerde seguir las instrucciones de encendido al volver a poner la unidad en funcionamiento luego de realizar la reparación o el mantenimiento. Si hay que reemplazar cualquiera de los cables originales que vienen con el artefacto, debe reemplazarse por un cable apto para una temperatura de por lo menos 105 °C. No use este artefacto si alguna de las piezas ha estado bajo el agua. Llame inmediatamente a un técnico de mantenimiento calificado para que inspeccione el artefacto y reemplace cualquier pieza del sistema de control del gas que haya estado bajo el agua.

- Compruebe la hermeticidad de las llaves de paso de seguridad al menos una vez al año.
- Para comprobar la hermeticidad al gas de las llaves de paso de seguridad, cierre la llave manual que está antes del control de combinación del aparato. Remueva el tapón de cabeza hexagonal del lado de entrada del control de combinación y conecte un manómetro a esa toma.
- Abra la llave manual para aplicar presión al control de combinación. Anote la lectura de presión del manómetro, luego cierre la llave. Cualquier pérdida de presión indica una fuga. Si se detecta una fuga, use una solución de jabón para revisar todas las conexiones roscadas. Si no se encuentra ninguna fuga, el control de combinación está defectuoso y debe reemplazarse antes de volver a poner el artefacto en servicio.

Si requiere mantenimiento, realice la siguiente rutina de inspección y servicio:

QUEMADORES

- Revise periódicamente las llamas del quemador para asegurarse de que estén en condiciones durante la temporada de calefacción.
- Antes de cada temporada de calefacción, verifique que los quemadores no tengan depósitos ni obstrucciones.

Limpie los quemadores de la siguiente forma:

1. Cierre el suministro de gas y de energía eléctrica de la unidad.
2. Desconecte el caño de suministro de gas y los cables de alta tensión y del sensor. Remueva el múltiple. Remueva la bandeja de los quemadores.
3. Limpie los quemadores según sea necesario. Verifique que los cabezales del quemador estén correctamente alineados para asegurar que se crucen las llamas. Revise la separación del electrodo de la chispa y ajústelo si fuera necesario. La separación debe estar entre 0,110" y 0,140" (2,79 mm y 3,56 mm). Puede verificar la separación con brocas helicoidales adecuadas o con una galga de espesores.
4. Vuelva a instalar la bandeja de los quemadores y los cables de alta tensión y del sensor. Vuelva a conectar la tubería de suministro de gas.
5. Restablezca el suministro de gas y de energía eléctrica. Siga las instrucciones de encendido para encender la unidad. Compruebe que se hayan encendido los quemadores.

CONDUCTO Y CAJA DE GAS DE COMBUSTIÓN

Antes de cada temporada de calefacción, se deben inspeccionar y limpiar los conductos y la caja del gas de combustión. La secuencia de operación debe ser la siguiente:

1. Desconecte la unidad del suministro de gas y de la energía eléctrica.
2. Desconecte el cableado del soplador de aire de combustión.
3. Saque los tornillos que fijan la caja de combustión a la unidad. Saque la caja de combustión. Si fuera necesario, saque el quemador de la caja de combustión. Limpie la caja de combustión con un cepillo de alambre.
4. Saque el soporte de retención del generador de turbulencia y los generadores de turbulencia. Limpie los generadores de turbulencia con un cepillo de alambre.
5. Remueva los quemadores como se describe en la sección "QUEMADORES".
6. Limpie los tubos con un cepillo de alambre.
7. Vuelva a armar la unidad. También debe reemplazar las juntas de aire de combustión y de la caja de combustión al volver a armar la unidad.
8. Restablezca el suministro de gas y de energía eléctrica. Siga las instrucciones de encendido para encender la unidad. Verifique el funcionamiento de la unidad.

SOPLADOR DE AIRE DE COMBUSTIÓN

Bajo condiciones normales de funcionamiento, hay que revisar y limpiar el soplador de aire de combustión antes de cada temporada de calefacción con la alimentación eléctrica desconectada. Use el cepillo pequeño para limpiar la rueda del soplador.

ELECTRICIDAD

1. Verifique que todas las conexiones estén firmes.
2. Verifique el voltaje correcto en la unidad (con la unidad funcionando).
3. Verifique el consumo de corriente.

COMBUSTIÓN Y CHIMENEA

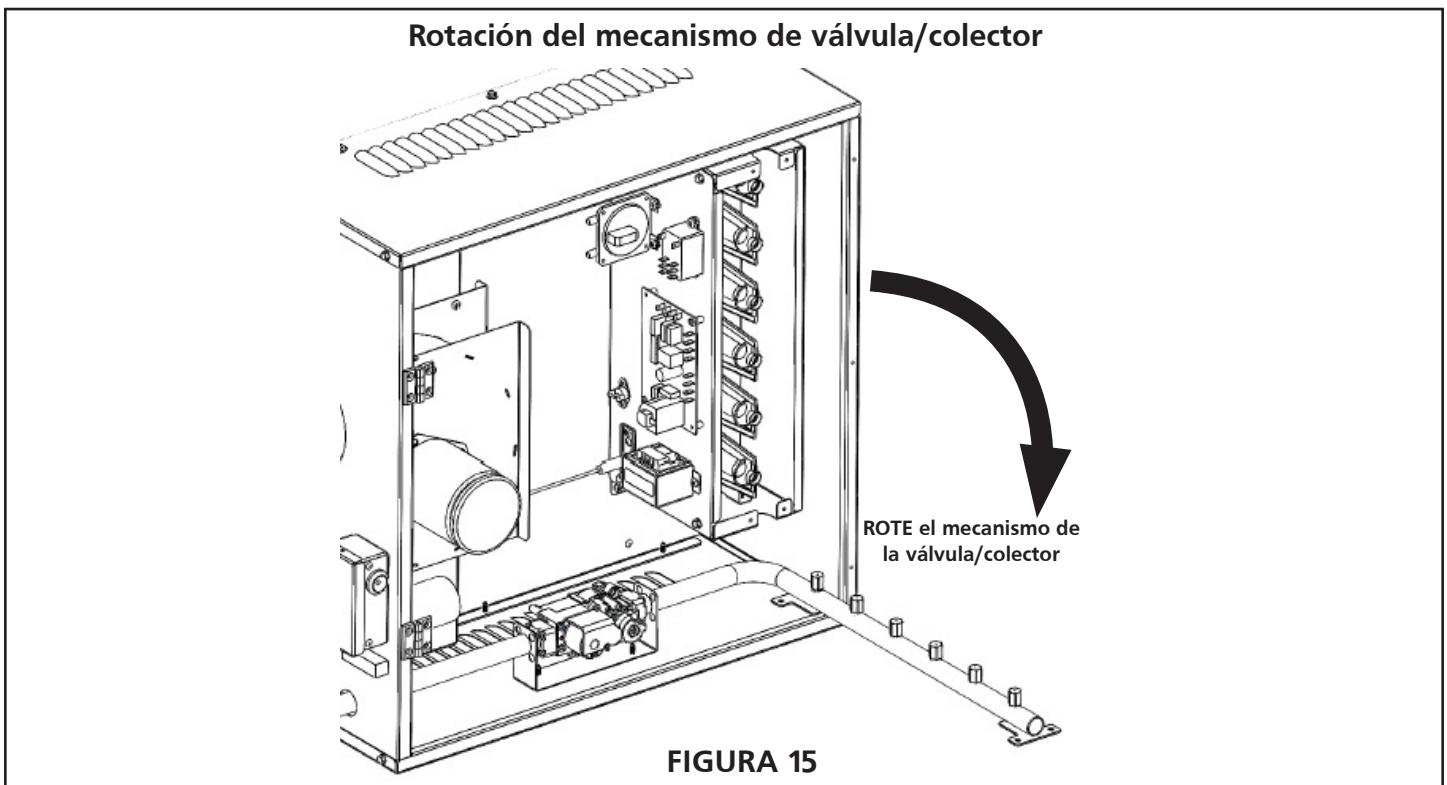
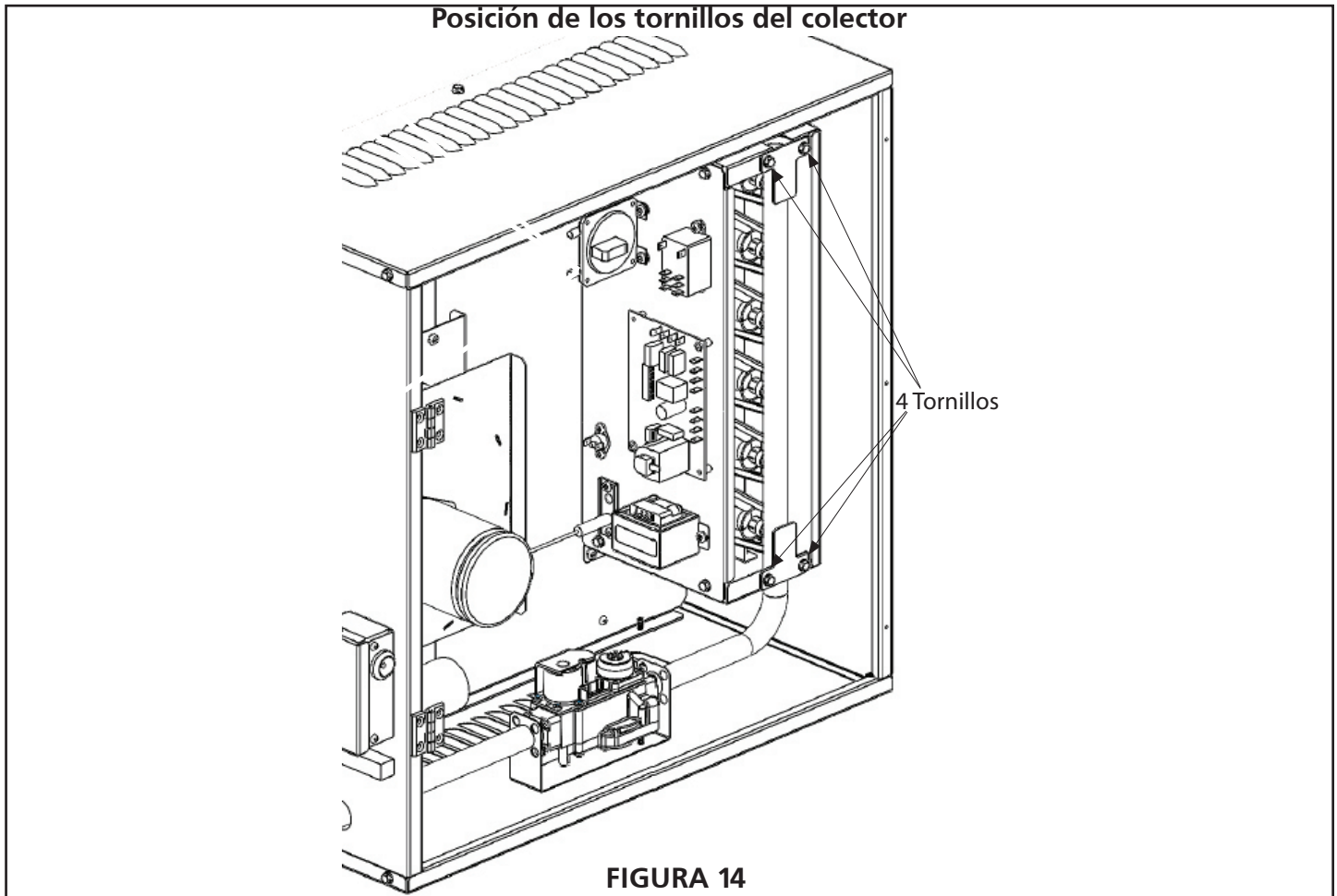
Verifique que todas las ventilaciones y conexiones de ventilación estén bien ajustadas. Verifique que las conexiones estén selladas y que no existan obstrucciones.

OTROS CONTROLES

1. Inspeccione el área cercana a la unidad para asegurarse de que no haya material combustible ubicado dentro de los requisitos de espacio libre mínimo enumerados en este manual. Bajo ninguna circunstancia se debe colocar material combustible dentro de los espacios libres especificados en este manual. No proporcionar el espacio libre adecuado podría provocar lesiones personales o daños al equipo por incendio.
2. Complete el procedimiento apropiado de encendido de la unidad como se indica en la sección Operación de este manual (vea las instrucciones de encendido en la placa de especificaciones de la unidad).
 - Verifique el ajuste del quemador.
 - También revise todas las válvulas de control de gas y conexiones de tuberías para ver si hay fugas.
3. Verifique el funcionamiento de la válvula de gas automática bajando el ajuste del termostato, deteniendo el funcionamiento del calefactor a gas. La válvula de gas debe cerrarse herméticamente, extinguiendo completamente la llama del quemador.
4. Si el aire de combustión se suministra desde la habitación, asegúrese de mantener un espacio libre de 12 pulgadas alrededor de las aberturas de entrada.
5. Verifique y pruebe las funciones de todos los dispositivos de seguridad suministrados con el calefactor (consulte las secciones ENCENDIDO DE LA UNIDAD y SECUENCIA DE FUNCIONAMIENTO DE LA UNIDAD).

INSTRUCCIONES PARA CONVERSIÓN DE COMBUSTIBLE

El calefactor está fabricado normalmente para funcionar con gas natural. En caso de usarlo con gas LP/propano, use los orificios de conversión suministrados con la unidad. Siga las instrucciones de abajo.



⚠ ADVERTENCIA: Peligro de explosión



CIERRE EL SUMINISTRO DE GAS DEL CALEFACTOR ANTES DE REALIZAR CUALQUIER REPARACIÓN O MANTENIMIENTO.

EL NO SEGUIR ESTAS INSTRUCCIONES CAUSARÁ LA MUERTE, HERIDAS GRAVES O DAÑOS MATERIALES.

⚠ ADVERTENCIA: Peligro de electrocución



DESENCHUFE EL CABLE DE ALIMENTACIÓN DEL TOMACORRIENTE ANTES DE REALIZAR CUALQUIER REPARACIÓN O MANTENIMIENTO.

EL NO SEGUIR ESTAS INSTRUCCIONES CAUSARÁ LA MUERTE, HERIDAS GRAVES O DAÑOS MATERIALES.

El electrodo y el sensor no se pueden ajustar. NO cambie la ubicación ni la posición como parte de este juego de conversión.

⚠ ADVERTENCIA ⚠

ESTE JUEGO DE CONVERSIÓN DEBE SER INSTALADO POR UNA AGENCIA DE SERVICIO CALIFICADA, DE ACUERDO CON LAS INSTRUCCIONES DEL FABRICANTE Y TODAS LAS NORMAS Y REQUISITOS APLICABLES DE LA AUTORIDAD QUE TENGA JURISDICCIÓN. SI NO SE SIGUEN ESTAS INSTRUCCIONES AL PIE DE LA LETRA, PODRÍA PRODUCIRSE UN INCENDIO, UNA EXPLOSIÓN O LA GENERACIÓN DE MONÓXIDO DE CARBONO QUE PROVOCARÍA DAÑOS MATERIALES, LESIONES PERSONALES O MUERTES. LA AGENCIA DE SERVICIO CALIFICADA QUE REALICE ESTE TRABAJO ASUME LA RESPONSABILIDAD DE LA CONVERSIÓN ADECUADA DE ESTE ARTEFACTO CON ESTE JUEGO.

Paso 1

⚠ CUIDADO: LA UNIDAD DEBE ESTAR DESCONECTADA DEL SUMINISTRO DE GAS Y DE ELECTRICIDAD ANTES DE REALIZAR LA CONVERSIÓN.

Paso 2

Saque y guarde los cuatro tornillos que fijan el múltiple a la caja de combustión (Figura 14). Rote el mecanismo de válvulas/múltiple, alejándolo de los quemadores (Figura 15). El mecanismo de válvula/colector sostiene los orificios. Esto permitirá el acceso a los orificios del colector.

Paso 3

Saque y deseche la tapa del resorte de ajuste de la válvula/regulador de gas con un destornillador plano, girando el tornillo en sentido contra horario.

Paso 4

Saque y deseche los orificios del colector con una llave abierta de 1/2". Gírelos en sentido contra horario para removerlos. Tome los nuevos orificios del juego de conversión y antes de instalarlos, confirme que el número estampado en el costado de los mismos coincida con el número del juego indicado en la **Tabla 1**. Si no coincide, llame inmediatamente a Heatstar, Inc. para que le envíen el juego correcto. Si son los orificios correctos, instálelos en el múltiple teniendo cuidado para enroscarlos correctamente.

Paso 5

Gire el mecanismo de válvulas/múltiple nuevamente dentro de la caja de combustión, verificando que todos los orificios queden dentro de los quemadores y que no queden atrapados en el anillo de fijación de la parte de atrás de cada quemador. Fije el múltiple a la caja de combustión con los cuatro tornillos removidos en el paso 2.

Paso 6

Siga las instrucciones de las secciones de Requisitos eléctricos y Conexiones de gas (asegurándose de verificar si hay fugas en todas las conexiones con agua jabonosa) para volver a instalar el calefactor.

Paso 7

Saque la etiqueta de especificaciones del juego y péguela sobre la parte correspondiente de la etiqueta de especificaciones existente. La placa ya viene impresa con toda la información correcta para el calefactor convertido. Consulte la Figura 16.

Ubicación de la etiqueta de especificaciones

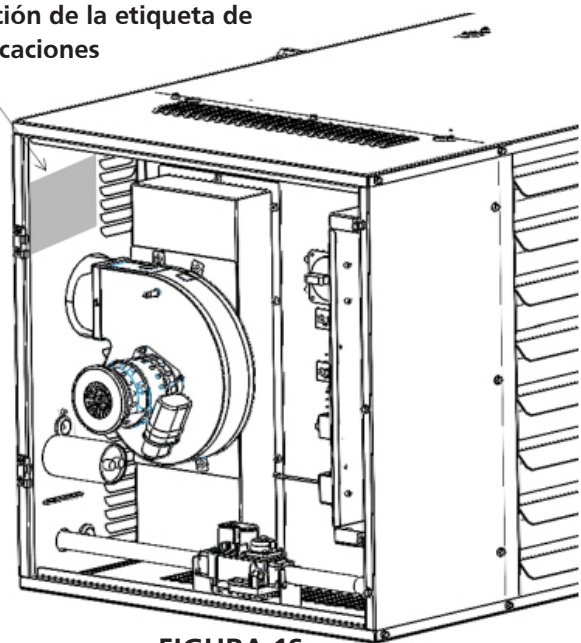


FIGURA 16

Paso 8

Saque la placa de clasificación convertida del juego y complete la información. Luego coloque esta placa debajo de la placa actualizada en la unidad.

Paso 9

Vuelva a colocar todos los paneles y haga funcionar el calefactor siguiendo todas las advertencias/precauciones e instrucciones del manual de funcionamiento y de las etiquetas.

GUÍA DE SOLUCIÓN DE PROBLEMAS

AVISO: La anulación de cualquier interruptor está destinada únicamente a fines de prueba. No deje un interruptor anulado durante el funcionamiento normal o los mecanismos de seguridad integrados del calefactor no funcionarán correctamente.

Síntoma	Posible Causa	Acción Correctiva
El motor del inductor de tiro no se enciende	<ol style="list-style-type: none"> 1. El ventilador de circulación de aire no se enciende inmediatamente. 2. El calefactor no recibe 120 V CA en la conexión de alimentación principal. 3. No hay 24 V CA en los terminales 'R' y 'C'. 4. No hay 24 V CA en los terminales 'W' y 'C'. 5. La placa de control no envía 120 V CA al motor del inductor de tiro. 6. El inductor de tiro está obstruido o bloqueado. 7. Después de comprobar lo anterior, el inductor de tiro no está obstruido ni bloqueado. 8. El interruptor de presión está atascado en la posición de cerrado. 9. Los dos interruptores de activación de llama y el interruptor de límite de temperatura del tubo están cerrados. 10. Los dos interruptores de activación de llama y el interruptor de límite de temperatura del tubo no están cerrados. 	<ol style="list-style-type: none"> 1. El interruptor de límite está abierto o el interruptor de presión está atascado en cerrado. Encuentre un interruptor defectuoso y repárelo. 2. Busque el origen del problema eléctrico. 3. Verifique el transformador interno. 4. Repare el termostato o el cableado del termostato. 5. Verifique la fuente de alimentación y, si hay energía, reemplace la placa de control. 6. Remueva la obstrucción. 7. El motor del inductor de tiro está averiado y hay que reemplazarlo. 8. El interruptor de presión está averiado. 9. Reemplace la placa de control. 10. Reinicie o reemplace el interruptor de límite defectuoso.
La luz indicadora del interruptor de presión no se enciende	<ol style="list-style-type: none"> 1. La entrada o salida del calefactor está obstruida o la ventilación excede las longitudes recomendadas. 2. Cableado suelto o restricciones en la conexión de la manguera al interruptor de presión. 3. Reemplace el interruptor de presión después de verificar: <ul style="list-style-type: none"> • Que el calefactor, el ventilador y la ventilación están limpios y libres de obstrucciones. • Que no se excede la longitud de ventilación permitida. • Que no se experimente una presión negativa en el área de entrada (por ejemplo, vientos fuertes, espacio del ático, edificio herméticamente cerrado). 	<ol style="list-style-type: none"> 1. Elimine la obstrucción o corrija las longitudes de ventilación. 2. Reemplace el cableado o la conexión de la manguera. 3. Reemplace el interruptor de presión.
La placa de control no envía chispas al electrodo	<ol style="list-style-type: none"> 1. El electrodo parece estar físicamente dañado. 2. No hay continuidad al desconectar temporalmente el cable de encendido de la placa de control. 3. Hay continuidad al desconectar temporalmente el cable de encendido de la placa de control. 	<ol style="list-style-type: none"> 1. Reemplace el electrodo. 2. Reemplace el electrodo. 3. Reemplace la placa de control.
La válvula de gas no se abre	<ol style="list-style-type: none"> 1. La presión de entrada al calefactor no está dentro del rango mínimo y máximo permitido según la placa de especificaciones. 2. Los cables hacia y desde la válvula de gas no están conectados correctamente. 3. El voltaje en los terminales V1 y V2 de la placa de control durante el intento de encendido no es de 24 V CA durante la secuencia de encendido. 4. El voltaje en los terminales V1 y V2 en el tablero de control durante el intento de encendido es de 24 V CA durante la secuencia de encendido. 	<ol style="list-style-type: none"> 1. Ajuste la presión de entrada. 2. Corrija el cableado. 3. Verifique los códigos de destello en la placa de control. Reemplace la placa de control. 4. La válvula de gas está averiada. Reemplace la válvula de gas.
Los quemadores no se encienden	<ol style="list-style-type: none"> 1. La válvula de suministro de gas que está antes del calefactor no está abierta. 2. La presión de entrada al calefactor no está dentro del rango mínimo y máximo permitido según la placa de especificaciones. 3. Las líneas de gas no se purgaron de todo el aire. 4. El tipo de gas del calentador no coincide con el gas suministrado. 5. La presión del colector no coincide con las presiones indicadas en la placa de especificaciones. 6. Verifique los códigos de destello en la placa de control. 	<ol style="list-style-type: none"> 1. Abra el paso del suministro de gas. 2. Ajuste la presión de entrada. 3. Purgue las líneas de gas. 4. Póngase en contacto con el representante local o la fábrica. 5. Ajuste la presión o reemplace la válvula de gas. 6. Consulte con la fábrica.

Síntoma	Posible Causa	Acción Correctiva
Los quemadores no permanecen encendidos	<ol style="list-style-type: none"> Los quemadores se encienden y luego se apagan inmediatamente (en 1-2 segundos). El quemador permanece encendido durante aproximadamente 8 a 10 segundos y luego se apaga. El calefactor no está conectado correctamente a tierra. La polaridad del calefactor no es correcta. Al leer la corriente del circuito del sensor de llama con un microamperímetro, es mayor que 0,5 microamperios. NOTA: El medidor debe poder configurarse y conectarse correctamente para leer este valor de corriente muy bajo. Al leer la corriente del circuito del sensor de llama con un microamperímetro, es menor que 0,5 microamperios. 	<ol style="list-style-type: none"> Compruebe la presión de entrada y los interruptores de límite. Verifique los códigos de destello en la placa de control. Consulte con la fábrica. Corrija la conexión a tierra o arregle la polaridad. Verifique los códigos de destello en la placa de control. Reemplace el módulo de encendido. Reemplace la placa de control.
El motor del ventilador de aire no arranca aprox. 30 segundos después del encendido	<ol style="list-style-type: none"> La placa de control no envía 120 V CA al ventilador después de aprox. 30 segundos del encendido y cuando el relé de control del ventilador está cerrado. La placa de control no envía 120 V CA al ventilador después de aprox. 30 segundos del encendido y cuando el relé de control del ventilador está abierto y no hay 24 V CA en el relé de control del ventilador. La placa de control no envía 120 V CA al ventilador después de aprox. 30 segundos del encendido y cuando el relé de control del ventilador está abierto y hay 24 V CA en el relé de control del ventilador. El motor está sucio, obstruido o dañado, lo que inhibe la rotación. El condensador de arranque del motor está dañado. 	<ol style="list-style-type: none"> Verifique que los cables no estén dañados. Compruebe si el interruptor de arranque de circulación está cerrado. Reemplace el relé. Limpie el ventilador, elimine la obstrucción o reemplace las piezas dañadas. Reemplácelo o repárelo.
El calefactor no permanece encendido hasta que termine el pedido de calefacción.	<ol style="list-style-type: none"> El calefactor puede apagarse o permanecer encendido debido a: <ul style="list-style-type: none"> Apertura del interruptor de límite. Interruptor de presión abierto. Conexión a tierra inadecuada. Dispositivo de control defectuoso. Vientos fuertes. Toma aire de combustión del ático. Ambiente sucio. Fluctuaciones en la presión de gas. 	

CANTIDAD DE DESTELLOS	CÓDIGO DE DIAGNÓSTICO LED
AI ENCENDIDO cada 3 segundos	Operación normal
1 DESTELLO	Autodiagnóstico
1 DESTELLO cada 3 segundos	Falla de flujo de aire
2 DESTELLOS cada 3 segundos	Llama - No hay pedido de calefacción
3 DESTELLOS cada 3 segundos	Encendido bloqueado
4 DESTELLOS cada 3 segundos	Falla del controlador

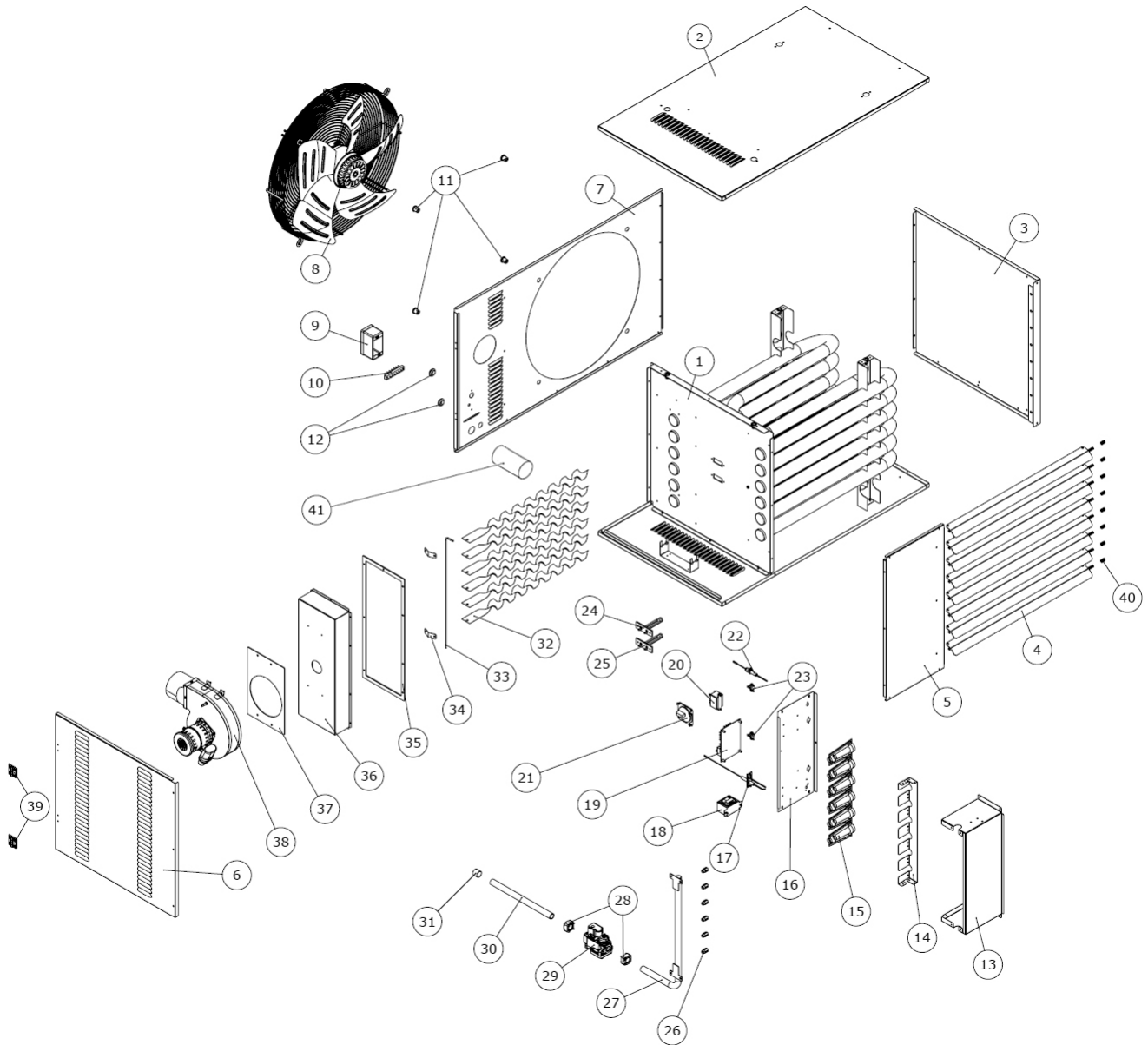
TABLA 10: Código de diagnóstico LED

Si no se encuentra ninguna fuga, el control de combinación está defectuoso y debe reemplazarse antes de volver a poner el artefacto en servicio.

LISTA DE PARTES

Al ordenar partes, incluya el número completo de modelo de la unidad que aparece en la placa de especificaciones.

Heatstar • Calefactor grande • Modelo HSU200NG / HSU250NG / HSU300NG/ HSU400NG



Kits de Conversión de Propano Líquido a Gas Natural

HSU200NG.....	F260165
HSU250NG.....	F260166
HSU300NG.....	F260167
HSU400NG.....	F260168

Kits de Conversión de Gas Natural a Propano Líquido

HSU200NG.....	F260169
HSU250NG.....	F260170
HSU300NG.....	F260171
HSU400NG.....	F260172

LISTA DE PARTES

VER AL DORSO LA INFORMACIÓN PARA ORDENAR PARTES

REF.	Descripción	200NG	250NG	300NG	400NG
1	INTERCAMBIADOR DE CALOR	60267	60268	60269	60270
2	PANEL LATERAL SUPERIOR	60271	60271	60271	60271
3	PANEL LATERAL 1	60272	60272	60273	60274
4	REJILLA	60275	60275	60275	60275
5	PANEL LATERAL 2	60276	60276	60277	60278
6	PANEL DE PUERTA	60279	60279	60280	60281
7	PANEL POSTERIOR	60282	60283	60284	60285
8	SOPLADOR	60286	60286	60287	60287
9	CAJA DE VONEXIONES ELÉCTRICAS	N/D	N/D	N/D	N/D
10	TERMINAL DEL TERMOSTATO	N/D	N/D	N/D	N/D
11	SOPORTES ANTI-VIBRACIÓN	N/D	N/D	N/D	N/D
12	PRENSACABLE	N/D	N/D	N/D	N/D
13	CAJA DEL QUEMADOR	N/D	N/D	N/D	N/D
14	SOPORTE DE LA REJILLA DEL QUEMADOR	N/D	N/D	N/D	N/D
15	QUEMADOR INTERNO	60288	60288	60288	60288
16	PANEL DE SOPORTE DE COMPONENTES ELÉCTRICOS	N/D	N/D	N/D	N/D
17	ELECTRODO ENCENDEDOR	60289	60289	60289	60289
18	TRANSFORMADOR 120-24	60290	60290	60290	60290
19	PLACA DE CONTROL	60291	60291	60291	60291
20	RELÉ DE ACCIONAMIENTO DEL SOPLADOR	60292	60292	60292	60292
21	INTERRUPTOR DE PRESIÓN	60293	60294	60294	60294
22	ELECTRODO DE DETECCIÓN	60295	60295	60295	60295
23	TERMOSTATO DE SEGURIDAD DE REINICIO MANUAL (140 °C)	60296	60296	60296	60296
24	TERMOSTATO AUTOMÁTICO DE SEGURIDAD (NC 60 °C)	60297	60297	60297	60297
25	TERMOSTATO AUTOMÁTICO DEL SOPLADOR (NA 35 °C)	60298	60298	60298	60298
26	ORIFICIO DE GAS NATURAL	60299	60299	60300	60300
27	COLECTOR	60301	60302	60303	60304
28	BRIDA DE 1/2" DE LA VÁLVULA DE GAS	60305	60305	60305	60305
29	VÁLVULA DE GAS	60306	60306	60306	60306
30	CONEXIÓN DEL TUBO DE ENTRADA DE GAS DE 1/2"	N/D	N/D	N/D	N/D
31	PROTECCIÓN DE TUBERÍAS DE GAS	N/D	N/D	N/D	N/D
32	DEFLECTOR DE TURBULENCIAS	N/D	N/D	N/D	N/D
33	VARILLA DEL DEFLECTOR DE TURBULENCIAS	N/D	N/D	N/D	N/D
34	TOPE DE LA VARILLA	N/D	N/D	N/D	N/D
35	JUNTA DE LA CAJA DE GAS DE COMBUSTIÓN	60307	60307	60308	60309
36	CAJA DE GAS DE COMBUSTIÓN	N/D	N/D	N/D	N/D
37	JUNTA DEL INDUCTOR	60310	60310	60310	60310
38	INDUCTOR	60311	60312	60312	60312
39	BISAGRA DE LA PUERTA	60313	60313	60313	60313
40	RESORTE DE BOCA DE VENTILACIÓN	60314	60314	60314	60314
41	CONDENSADOR	60340	60340	60341	60341
*	ORIFICIO PARA GAS LICUADO	60315	60315	60316	60316
*	TUBO DE SILICONA PARA INTERRUPTOR DE PRESIÓN	60317	60317	60317	60317
*	CABLEADO ELÉCTRICO	60318	60318	60318	60318
*	CONECTOR DE LA VÁLVULA DE GAS	60319	60319	60319	60319

*NO SE MUESTRA



INSTRUCCIONES DE OPERACIÓN Y MANUAL DEL PROPIETARIO

MODELOS

HSU200NG HSU300NG
HSU250NG HSU400NG

LEA CUIDADOSAMENTE LAS INSTRUCCIONES: SU SEGURIDAD ES IMPORTANTE PARA USTED Y PARA LOS DEMÁS. Lea y siga todas las instrucciones. Conserve estas instrucciones en un lugar seguro para futura referencia. No permita que nadie que no haya leído estas instrucciones arme, encienda, ajuste o use el calefactor.



ADVERTENCIA:

USE SOLAMENTE PARTES DE REPUESTO DEL FABRICANTE. EL USO DE CUALQUIER OTRA PARTE PODRÍA CAUSAR HERIDAS O LA MUERTE. LAS PARTES DE REPUESTO ESTÁN DISPONIBLES ÚNICAMENTE EN LA FÁBRICA Y DEBEN SER INSTALADAS POR UNA AGENCIA DE SERVICIO CALIFICADA.

INFORMACIÓN PARA ORDENAR PARTES:

COMPRAS: PUEDE COMPRAR ACCESORIOS EN CUALQUIER DISTRIBUIDOR LOCAL DE HEATSTAR O DIRECTAMENTE DE LA FÁBRICA.

POR INFORMACIÓN ACERCA DE REPARACIONES:

Por favor llame sin cargo al 866-447-2194 • WWW.HEATSTARBYENERCO.COM
Nuestro horario de trabajo es de 08:00 AM a 5:00 PM, de lunes a viernes, hora del este.
Por favor, incluya el número de modelo, la fecha de compra y la descripción del problema en todas sus comunicaciones.

GARANTÍA LIMITADA:

La compañía garantiza que este producto estará libre de imperfecciones materiales y de fabricación, bajo condiciones de uso normales y adecuadas de acuerdo con las instrucciones de la Compañía, por un período de tres años para las partes (limitada) y de 10 años para el intercambiador de calor, a partir de la fecha de entrega al comprador. La Compañía, según decida, reparará o reemplazará los productos que el comprador devuelva a la fábrica, con los gastos de envío previamente pagados dentro del mencionado período de un año y que la Compañía determine que presentan imperfecciones materiales o de fabricación.

Si alguna de las partes está dañada o si le falta alguna, llame a nuestro Departamento de Asistencia Técnica al 866-447-2194.

Dirija todos los reclamos de garantía al Departamento de servicios, Heatstar, Inc., 4560 W. 160TH ST., CLEVELAND, OHIO 44135. Incluya su nombre, dirección y número telefónico en su comunicación e incluya los detalles relacionados con el reclamo. Además, infórmenos la fecha de la compra y el nombre y dirección del proveedor de quien adquirió nuestro producto.

Lo anterior describe las responsabilidades de la Compañía en toda su extensión. No hay otras garantías, ni explícitas ni implícitas. Específicamente, no hay garantías acerca de la adecuación para un propósito particular y no hay garantías de comerciabilidad. En ningún caso la Compañía será responsable por demoras causadas por imperfecciones, por daños consecuentes, ni por ningún otro cargo de gastos de ninguna naturaleza realizado sin su consentimiento escrito. El costo de reparación o reemplazo será la única compensación por cualquier incumplimiento de la garantía. No hay garantía ni se derivará garantía implícita alguna del proceso de comercialización ni de las prácticas comerciales comunes. Esta garantía no será válida para productos que hayan sido reparados o alterados fuera de la fábrica en cualquier sentido que a nuestro criterio afecte su estado o funcionamiento.

Algunos estados no permiten la exclusión o limitación de daños incidentales ni consecuentes, así que la limitación o exclusión anterior puede no tener validez en su caso. Esta Garantía le otorga derechos legales específicos, y usted puede tener otros derechos que varían de un estado a otro.

Heatstar, Inc. se reserva el derecho de hacer cambios en cualquier momento, sin previo aviso, en los colores, especificaciones, accesorios, materiales y modelos.

REGISTRO DEL PRODUCTO: Gracias por su compra.
Ingrese a <http://www.egiregistration.com> para registrar su producto.

ENERCO GROUP, INC., 4560 W. 160TH ST., CLEVELAND, OHIO 44135 • 1-866-447-2194
Heatstar es una marca registrada de Heatstar, Inc.
© 2022, Heatstar. Todos los derechos reservados.

Installateur : Laissez ce manuel avec l'appareil. Consommateur : Conservez ce manuel pour pouvoir le consulter plus tard.



MODE D'EMPLOI ET GUIDE DU PROPRIÉTAIRE

MODÈLES N°
HSU200NG HSU300NG
HSU250NG HSU400NG

LISEZ CES INSTRUCTIONS ATTENTIVEMENT : VOTRE SÉCURITÉ, ET CELLE DES AUTRES, EST IMPORTANTE.
Lisez et observez toutes les instructions. Placez le mode d'emploi dans un endroit sûr pour pouvoir le consulter plus tard. Ne laissez personne n'ayant pas lu ce mode d'emploi assembler, allumer, ajuster ou faire fonctionner cet appareil.



APPAREIL DE CHAUFFAGE POUR GRANDS LOCAUX POUR UN USAGE RÉSIDENTIEL/COMMERCIAL

AVERTISSEMENT : L'installation, l'ajustement, la modification, le service ou l'entretien inadéquats peuvent causer des blessures ou des dommages aux biens. Consultez ce manuel. Pour obtenir de l'aide ou des renseignements complémentaires, consultez un installateur qualifié, une entreprise de service ou le fournisseur de gaz.

- **SI VOUS SENTEZ DU GAZ**
 - o **NE TENTEZ PAS** d'allumer l'appareil
 - o **NE TOUCHEZ** à aucun commutateur électrique, n'utilisez aucun téléphone dans votre bâtiment
 - o **Sortez immédiatement** du bâtiment
 - o **Appelez immédiatement** votre fournisseur de gaz à partir d'un téléphone éloigné de votre bâtiment Suivez les directives de votre fournisseur de gaz
 - o **Si vous ne réussissez pas** à joindre votre fournisseur de gaz, appelez le service des incendies.
- **L'installation et le service doivent être faits par un installateur qualifié, une entreprise de service ou le fournisseur de gaz.**

POUR VOTRE SÉCURITÉ :

Ne rangez ou n'utilisez pas d'essence ou d'autres vapeurs ou liquides inflammables à proximité de cet appareil ou de tout autre appareil.

AVERTISSEMENT : Si vous manquez de suivre précisément l'information présentée dans ces instructions, un incendie ou une explosion pourraient causer des dommages aux biens, des blessures ou même la mort.

SÉCURITÉ

⚠ AVERTISSEMENT :
VOTRE SÉCURITÉ, ET CELLE DES AUTRES, EST IMPORTANTE. VEUILLEZ DONC LIRE CES INSTRUCTIONS AVANT DE FAIRE FONCTIONNER CET APPAREIL DE CHAUFFAGE.

⚠ AVERTISSEMENT :
DANGER D'INCENDIE OU D'EXPLOSION
Un manquement de suivre précisément les consignes de sécurité peut causer des blessures graves, la mort ou des dommages aux biens. Vous devez lire et comprendre les consignes d'installation, de fonctionnement et d'entretien dans ce manuel. L'installation, l'ajustement, la modification, le service ou l'entretien inadéquats peuvent causer des blessures graves, la mort ou des dommages aux biens.

⚠ AVERTISSEMENT : Les carburants utilisés dans les appareils à gaz propane liquide, et les produits de combustion de ces carburants, peuvent vous exposer à des produits chimiques, dont le benzène, connus par l'État de la Californie pour causer le cancer et des malformations congénitales ou autres anomalies de la reproduction. Pour plus d'information, consultez www.P65Warnings.ca.gov.

⚠ AVERTISSEMENT :
DANGER D'INCENDIE, DE BRÛLURE, D'INHALATION ET D'EXPLOSION. Conserver les combustibles solides, comme les matériaux de construction, le papier et le carton, à distance sûre de l'appareil de chauffage. Comme le recommande ce mode d'emploi, ne pas utiliser l'appareil de chauffage dans des endroits contenant ou pouvant contenir des substances combustibles volatiles ou suspendues dans l'air ou encore des produits comme l'essence, les solvants, le diluant à peinture, les particules de poussière ou les produits chimiques inconnus.

⚠ AVERTISSEMENT : CE PRODUIT PEUT VOUS EXPOSER À DES PRODUITS CHIMIQUES, DONT LE PLOMB ET LES COMPOSÉS DE PLOMB, CONNUS PAR L'ÉTAT DE LA CALIFORNIE POUR CAUSER LE CANCER, DES MALFORMATIONS CONGÉNITALES OU AUTRES ANOMALIES DE LA REPRODUCTION. POUR PLUS D'INFORMATION, RENDEZ-VOUS À WWW.P65WARNINGS.CA.GOV

	HSU200NG	HSU250NG	HSU300NG	HSU400NG
V/A/H/Phase	120 v / 6,3 A / 60 hZ / 1 Ø	120 v / 6,3 A / 60 hZ / 1 Ø	120 v / 10 A / 60 hZ / 1 Ø	120 v / 10 A / 60 hZ / 1 Ø
BTU d'entrée	200 000 BTU	250 000 BTU	300 000 BTU	400 000 BTU
BTU de sortie	160 000 BTU	200 000 BTU	240 000 BTU	320 000 BTU
% Rendement	80 %	80 %	80 %	80 %

TABLE DES MATIÈRES

SÉCURITÉ.....	2
INTRODUCTION.....	5
INSTALLATION.....	6
DÉMARRAGE.....	16
ENTRETIEN.....	20
INSTRUCTIONS DE CONVERSION	
DU COMBUSTIBLE.....	22
GUIDE DE DÉPANNAGE.....	24
LISTE DES PIÈCES.....	26
GARANTIE.....	28
LANGUES	
ANGLAIS.....	1 - 28
ESPAGNOL.....	1 - 28
FRANÇAIS.....	1 - 28

RENSEIGNEMENTS GÉNÉRAUX

CONSERVEZ CE MANUEL POUR POUVOIR LE CONSULTER PLUS TARD. AVANT DE RETOURNER L'APPAREIL AU DÉTAILLANT SI VOUS AVEZ DES QUESTIONS, PROBLÈMES OU PIÈCES MANQUANTES, APPELEZ LE NUMÉRO SUIVANT EN DONNANT LE NUMÉRO DE MODÈLE ET LE NUMÉRO DE SÉRIE DE L'APPAREIL :

1 866 447-2194

DU LUNDI AU VENDREDI, DE 8 H À 17 H, HEURE DE L'EST
OU ÉCRIVEZ-NOUS PAR L'ENTREMISE DU SITE WEB DE HEATSTAR :

WWW.HEATSTARBYENERCO.COM

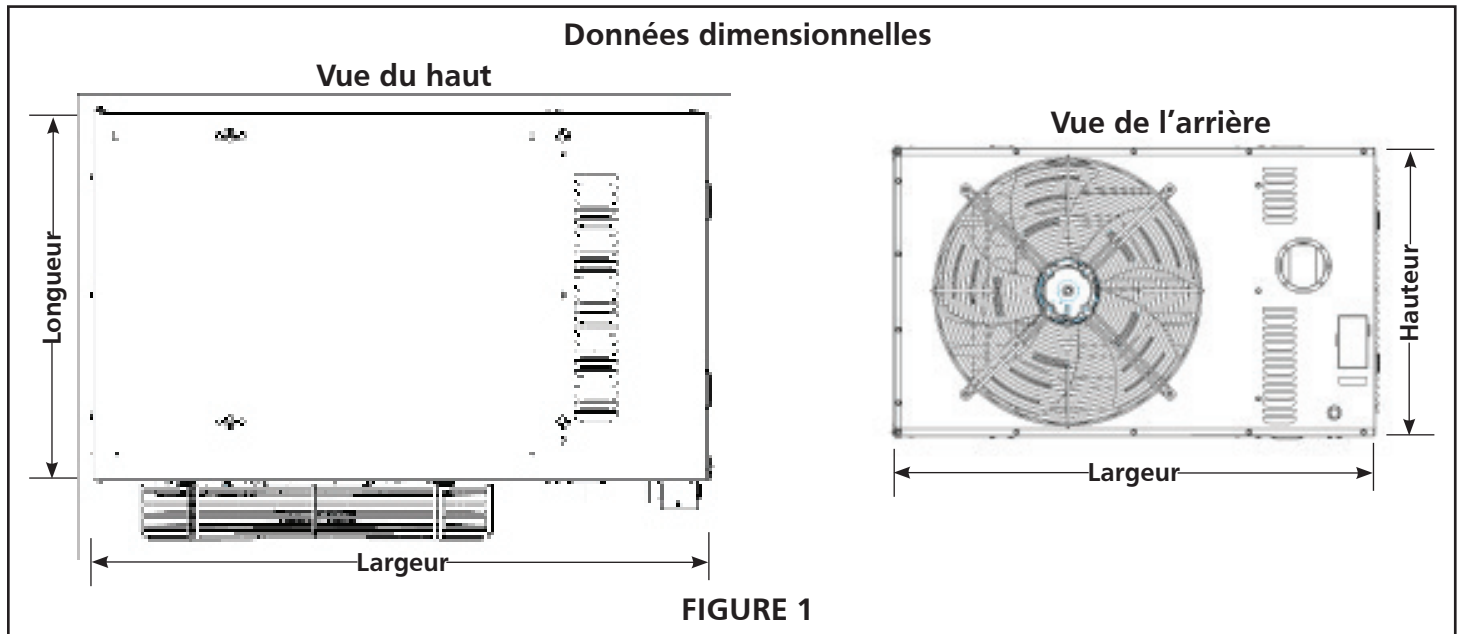
Afin de vous offrir le meilleur service possible, HEATSTAR vous donne maintenant encore plus de façons d'entrer en contact avec nous. Trouvez des vidéos d'information à :

 YouTube : youtube.com/heatstarTV

La gamme complète de produits HEATSTAR est maintenant à :
WWW.HEATSTARBYENERCO.COM

SPÉCIFICATIONS DU PRODUIT

Cet appareil de chauffage est un générateur d'air chaud à entrée unique avec un rendement thermique moyen de 80 %. Tous les appareils sont fournis avec l'alimentation monophasée 60 Hz 120 VAC. Pour des renseignements propres à chaque modèle, consultez le **Tableau 1**.



	BTU d'entrée	BTU de sortie	Taille			
	(BTU/H)	(BTU/H)	LARGEUR	LONGUEUR	HAUTEUR	POIDS (lb)
HSU200NG	200 000	160 000	41,3 po	28,7 po	24,8 po	175
HSU250NG	250 000	200 000	41,3 po	28,7 po	24,8 po	180
HSU300NG	300 000	240 000	41,3 po	28,7 po	30,3 po	227
HSU400NG	400 000	320 000	41,3 po	28,7 po	38,6 po	280

TABLEAU 1 : Spécifications

	BTU d'entrée (BTU/H)	Entrée d'air (CFM)	Vitesse de l'air sortant (FPM)	Hausse de temp. de l'air (°F)	Moteur (Watts)	Moteur (tr/min)	Diamètre du ventilateur (pouces)
HSU200NG	200 000	3 377	960	45,0	650	1 500	21,7
HSU250NG	250 000	3 435	976	55,3	650	1 500	21,7
HSU300NG	300 000	4 507	1 040	50,6	1 000	1 560	24,8
HSU400NG	400 000	5 763	1 040	52,7	1 000	1 560	24,8

TABLEAU 2 : Données générales sur le rendement

LISTE DE VÉRIFICATION POUR LE DÉMARRAGE ET LE RENDEMENT

Nom de la tâche : _____ Numéro de la tâche : _____ Date : _____
 Emplacement de la tâche : _____ Ville : _____ Province/État : _____
 Installateur : _____ Ville : _____ Province/État : _____
 Numéro de modèle de l'appareil : _____ Numéro de série : _____ Technicien : _____
 Raccords électriques bien serrés? _____ Raccords de ventilation bien serrés? _____
 Tension d'alimentation _____ Fonctionnement de la minuterie du souffleur vérifiée? _____
 Raccords de conduits de gaz bien serrés et vérifiés à l'affût de fuites? _____ Thermostat calibré? _____
 Ampères du moteur _____ Anticipateur de chaleur bien réglé? _____
 Niveau de BTU d'entrée de la chaudière _____ À niveau? _____
 Pression des conduits _____
 Pression au collecteur en W. C. _____

ENVOI

L'appareil de chauffage est complètement assemblé. Si tout dommage d'envoi est constaté, la personne recevant l'appareil devrait contacter le transporteur immédiatement.

UTILISATIONS

Cet appareil de chauffage **n'est pas** à l'épreuve des explosions. Cet appareil de chauffage ne doit pas être utilisé dans les environnements explosifs de Classe 1 ou de Classe 2. Pour obtenir une approbation si l'installation envisagée pose des doutes, consultez votre commissaire des incendies, fournisseur d'assurance ou autre autorité.

COMMERCIALE/INDUSTRIELLE

Cet appareil de chauffage est conçu et homologué pour l'utilisation dans les bâtiments industriels et commerciaux comme les entrepôts, les usines de fabrication, les hangars pour avions et les ateliers d'entretien des véhicules. Pour un maximum de sécurité, le bâtiment doit être évalué à l'affût de problèmes potentiels avant l'installation du système de chauffage. Cet appareil est homologué pour l'utilisation tel que fourni par le fabricant. Ne modifiez pas le ventilateur ou ne faites pas fonctionner le moteur à vitesse ralentie.

⚠ MISE EN GARDE : L'installation de dispositifs de restriction à l'entrée ou à la sortie du moteur du ventilateur peut causer la défaillance prématurée de l'échangeur thermique, la surchauffe de l'appareil ou des dommages à ses composants. N'attachez aucun conduit, filtre à air ou tube en poly à tout appareil de chauffage HEATSTAR.

NORMES, CERTIFICATIONS ET RÉGLEMENTATION GOUVERNEMENTALE

L'installation de cet appareil de chauffage à gaz doit se conformer à l'ensemble des spécifications, règlements et codes du bâtiment locaux, d'État, provinciaux et nationaux. Pour obtenir de l'encadrement à ce sujet, consultez votre inspecteur de bâtiments et/ou commissaire des incendies.

En l'absence de codes locaux, l'installation doit se conformer aux exigences de la plus récente édition de :

CSA AUX ÉTATS-UNIS

L'installation d'appareils de chauffage à gaz doit se conformer à tous les codes locaux du bâtiment et avec la norme National Fuel Gas Code, ANSI Z223.1 en vigueur.

L'installation dans les hangars pour avions doit se conformer à la norme Standard for Aircraft Hangars ANSI/NFPA No. 409 en vigueur.

L'installation dans les structures de stationnement doit se conformer à la norme Standard for Parking Structures ANSI/NFPA No. 88A en vigueur.

Pour l'installation dans les garages résidentiels, ces appareils doivent être installés de façon à ce que le bas de l'appareil soit à une distance minimum de 8 pi (2,43 m) au-dessus du sol. L'appareil de chauffage doit être placé ou protégé de façon à éviter tout dommage physique que les véhicules pourraient lui causer. Consultez le National Fuel Gas Code, ANSI Z223.1, édition en vigueur.

Les autorités compétentes devraient être consultées avant une installation en vertu de la NFPA. L'air à des fins de combustion et de ventilation doit se conformer aux méthodes décrites dans ANSI Z223.1, section 5.3, Air for Combustion and Ventilation, ou aux dispositions applicables des codes du bâtiment locaux. La norme ANSI Z83.8/CSA 2.6 est la norme applicable pour la construction d'appareils de chauffage à gaz. Vous pouvez vous procurer le National Fuel Gas Code auprès de :

American National Standard Institute Inc.
11 West 42nd Street
New York, NY 10036

La conception de ces appareils est homologuée par CSA International. Ces appareils de chauffage sont homologués pour l'installation aux distances de dégagement des matières combustibles indiquées au **Tableau 3** et sur la plaque signalétique de l'appareil. Les dégagements pour l'accessibilité et l'entretien doivent être observés en plus des dégagements de protection contre les incendies.

Le câblage électrique et de mise à la terre de l'appareil doit se faire en vertu des règlements du National Electric Code ANSI/No. 70 en vigueur.

Vous pouvez vous procurer le National Electric Code auprès de :

National Fire Protection Association
1 Batterymarch Park
PO Box 9101
Quincy, MA 02269-9101

CSA AU CANADA

Ces instructions ne doivent servir que de guide général et ne doivent d'aucune façon remplacer les codes locaux. Les autorités compétentes devraient être consultées avant l'installation. L'installation doit se conformer aux codes du bâtiment locaux ou, en l'absence de codes locaux, en vertu du CSA B149.1, Code d'installation du gaz naturel et du propane en vigueur. Le câblage électrique et de mise à la terre de l'appareil doit aussi se conformer au Code canadien de l'électricité CSA C22.1, édition en vigueur.

Ces appareils de chauffage sont homologués CSA International pour les distances de dégagement des matières combustibles indiquées sur la plaque signalétique et au **Tableau 3**. Fournissez une distance de dégagement suffisante autour des entrées d'air de la chambre de combustion, une distance de dégagement suffisante autour des matières combustibles, et prenez des dispositions pour l'accessibilité et pour l'approvisionnement en air pour la combustion et la ventilation. Prenez des dispositions pour l'accessibilité à des fins d'entretien de l'appareil de chauffage. Notez que les distances de dégagement pour la protection contre les incendies peuvent être dépassées pour donner de l'espace additionnel pour le service et l'accessibilité. Le code CAN/CGA B149.1-10 est le Code d'installation du gaz naturel et du propane.

Un exemplaire de ces normes peut être consulté ou acheté à www.nfpa.org ou www.scc.ca.

INSTALLATION DANS UN GARAGE

L'installation dans les structures de stationnement doit se conformer à la norme Standard for Parking Structures ANSI/NFPA No. 88A en vigueur.

L'installation dans les garages de réparations doit se conformer à la norme Standard for Repair Garages ANSI/NFPA No. 88B.1 en vigueur.

1. Dans l'aire d'entreposage, la distance de dégagement entre l'appareil de chauffage et les matières combustibles doit être telle que les matières n'atteindront jamais une température supérieure à 160 °F à cause du fonctionnement continu de l'appareil.
2. Il est obligatoire de respecter une distance minimum de huit pieds entre le sol et le bas de l'appareil de chauffage. Consultez CSA B149.1, Natural Gas and Propane Installation Code.

Canada : Consultez CAN/CGA B149.1 : Codes d'installation pour appareils à gaz et normes applicables pour garages publics.

Directives :

- Les appareils de chauffage ne doivent pas être installés à moins de 8 pi (2,4 m) au-dessus du sol. Les distances de dégagement minimums des matières combustibles doivent être respectées pour les véhicules stationnés sous l'appareil de chauffage.
- Lorsque l'appareil est installé au-dessus de palans, les distances de dégagement minimums des matières combustibles doivent être respectées à partir du point le plus élevé des objets sur le palan.

INSTALLATION DANS UN HANGAR POUR AVIONS

L'installation d'appareils de chauffage à gaz doit se conformer à tous les codes locaux du bâtiment et avec la norme National Fuel Gas Code, ANSI Z223.1 en vigueur.

AUX ÉTATS-UNIS : Consultez Standard for Aircraft Hangars, ANSI/NFPA 409 (plus récente édition).

1. Dans les espaces d'entreposage et d'entretien des avions, les appareils de chauffage doivent être installés au moins 10 pi (3 m) au-dessus de la surface supérieure des ailes ou au-dessus des enceintes de moteur de l'avion le plus haut pouvant être entreposé dans le hangar. La mesure sera faite à partir de l'aile ou de l'enceinte du moteur, selon la plus haute de ces dernières, jusqu'au bas de l'appareil de chauffage.
2. Dans les aires voisines à celles où se trouvent les avions (p. ex., ateliers, bureaux), le bas de l'appareil de chauffage doit être placé à au moins 8 pi (2,4 m) au-dessus du sol.
3. Les appareils de chauffage doivent être placés de façon à être protégés contre les dommages causés par les avions ou autres appareils requis pour l'entretien des avions. Consultez les exigences des autorités compétentes. Vous devrez tenir compte de l'accessibilité aux appareils de chauffage suspendus pour leur entretien récurrent.

Pour l'installation dans les hangars, ces appareils doivent être installés de façon à ce que les brûleurs et la source d'allumage soient à une distance minimum de 18 pi (457 mm) au-dessus du sol. L'appareil de chauffage doit être placé ou protégé de façon à éviter tout dommage physique que les véhicules pourraient lui causer. Consultez CSA B149.1, Natural Gas and Propane Installation Code, édition en vigueur.

AU CANADA : Dans les endroits confinés, l'appareil de chauffage doit être installé en vertu de la norme CSA B149.1, Code d'installation du gaz naturel et du propane. N'oubliez pas de consulter les codes ou ordonnances locaux pour connaître toute autre exigence.

GAZ À POUVOIR CALORIFIQUE NON-STANDARD

À moins de mention contraire sur la plaque signalétique, cet appareil de chauffage est conçu pour fonctionner au gaz à pouvoir calorifique standard. Si vous comptez l'utiliser avec du gaz à pouvoir calorifique non-standard, communiquez avec l'usine.

INTRODUCTION

Cet appareil de chauffage est à gaz. Ce manuel vous donne des renseignements particuliers liés aux modèles de Heatstar. Toutes les personnes impliquées dans l'installation, le fonctionnement et l'entretien de l'appareil de chauffage doivent comprendre l'information présentée dans ce manuel.

Le but de ce manuel est de vous donner de l'information au sujet de la sécurité, des directives de conception, de l'installation, du fonctionnement et de l'entretien de cet appareil de chauffage à gaz. Vous devez lire et comprendre les instructions et toutes les consignes de sécurité avant d'installer cet appareil de chauffage à gaz. Ce manuel appartient au propriétaire et doit demeurer avec le propriétaire ou avec l'appareil une fois l'installation achevée.

DISTANCE DE DÉGAGEMENT DES MATÉRIAUX COMBUSTIBLES

La distance de dégagement des matériaux combustibles est définie comme le minimum de distance devant être présent entre l'élément indiqué de l'appareil de chauffage et le matériel combustible. Elle décrit aussi la distance à observer entre les objets mobiles autour de l'appareil de chauffage. Une distance de service recommandée est définie comme le minimum de distance requis pour bien pouvoir entretenir l'appareil de chauffage. En installant l'appareil de chauffage, vous devez observer les distances de dégagement des matériaux combustibles pour votre modèle d'appareil de chauffage. Consultez le Tableau 3 pour voir les distances requises pour votre modèle.

⚠️ AVERTISSEMENT : Le fait de placer des objets explosifs ou des objets, liquides ou vapeurs inflammables près de l'appareil de chauffage peut provoquer une explosion, un incendie, des dommages aux biens, des blessures graves ou la mort. Ne rangez ou n'utilisez pas d'objets, liquides ou vapeurs explosifs à proximité de l'appareil de chauffage.

Distance de dégagement des matériaux combustibles

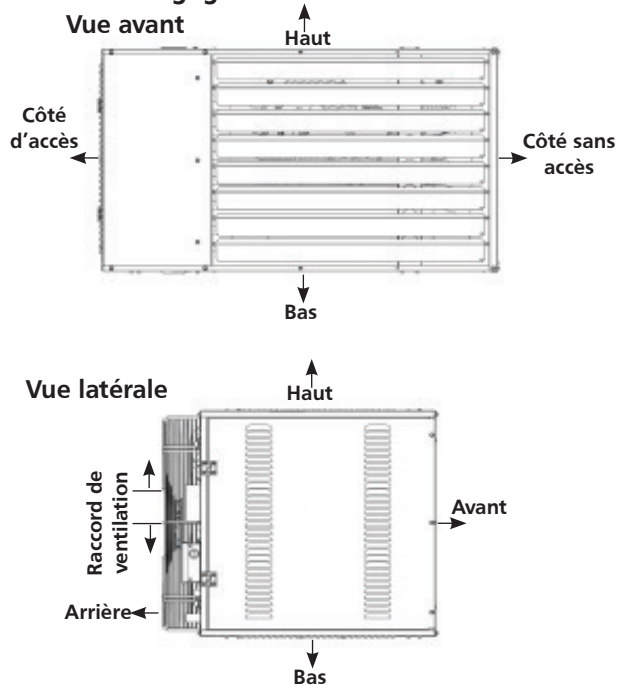


FIGURE 2

Côté de l'appareil	Avant	Haut et bas	Côté d'accès	Côté sans accès	Arrière	Raccord de ventilation
Distance des matériaux combustibles	60 po (152,4 cm)	6 po (15,24 cm)	6 po (15,24 cm)	6 po (15,24 cm)	18 po (45,72 cm)	6 po (15,24 cm)
Distance requise pour l'entretien	60 po (152,4 cm)	18 po (45,72 cm)	29 po (73,66 cm)	18 po (45,72 cm)	18 po (45,72 cm)	18 po (45,72 cm)

TABLEAU 3 : Distance de dégagement des matériaux combustibles

COMPOSANTS DE L'APPAREIL DE CHAUFFAGE

Avant l'installation, vérifiez que le type de gaz et la tension (comme indiqués sur la plaque signalétique) concordent avec votre utilisation particulière. L'appareil de chauffage est fabriqué selon les normes pour l'utilisation avec du gaz naturel. Si vous l'utilisez avec du propane liquide (PL) ou du gaz propane, consultez les instructions Conversion du combustible. Vérifiez également que vous avez bien reçu tout le contenu inclus avec l'appareil. Le matériel non inclus avec l'appareil (p. ex., vis, matériel de ventilation, tige filetée, etc.) tombe sous la responsabilité de l'installateur. Signalez à votre représentant ou à l'usine, avant l'installation de l'appareil, tout élément manquant.

Sous-composants de l'appareil de chauffage

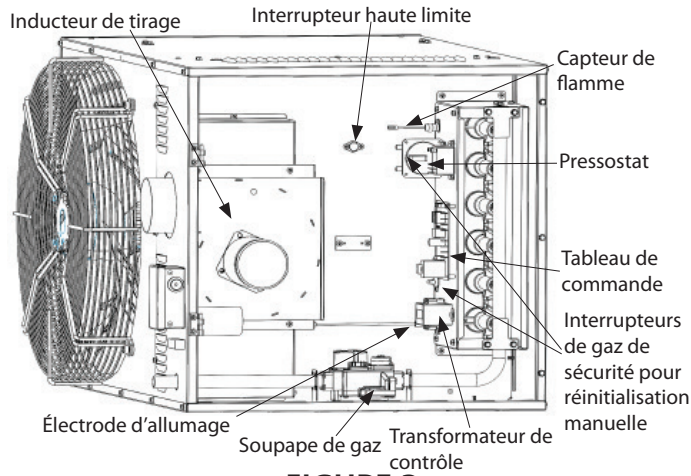


FIGURE 3

CONSIDÉRATIONS D'INSTALLATION INITIALES ET VÉRIFICATIONS PRÉLIMINAIRES

⚠️ AVERTISSEMENT : L'installation, l'ajustement, la modification, le service ou l'entretien inadéquats peuvent causer des dommages aux biens, des blessures graves ou la mort. Lisez attentivement et comprenez bien les instructions d'installation, de fonctionnement et d'entretien dans ce manuel avant d'installer ou d'entretenir cet équipement. Ce manuel doit être conservé pour une utilisation future, pour l'entretien ou les diagnostics. Laissez le manuel chez le propriétaire. Ne jetez aucun document fourni avec cet appareil. Seul du personnel d'installation ou de service dûment formé peut installer ou entretenir l'équipement. **N'attachez aucun conduit, filtre à air ou tube en poly à l'appareil de chauffage.**

Le positionnement de l'appareil de chauffage est influencé par de nombreux facteurs. En plus des facteurs liés à la sécurité, vous devez aussi considérer les exigences d'espace générales et les exigences de chauffage, la disponibilité de l'approvisionnement en gaz et en électricité, et la proximité d'emplacement potentiel pour la ventilation. Ceci ne représente que quelques-uns des facteurs à considérer.

Inspectez et évaluez l'emplacement de l'appareil de chauffage pour vous assurer que le support structural est adéquat pour supporter le poids de l'appareil. L'appareil doit être installé en position horizontale pour bien fonctionner. Pour réduire le bruit le long de la structure causé par la vibration de l'appareil, celui-ci devrait être installé dans les 15 pi (4,57 m) du support principal du bâtiment. Si cette installation n'est pas pratique ou pas réalisable, l'utilisation d'isolateurs de vibrations à ressort est recommandée, mais ces isolateurs doivent être homologués pour le poids de l'appareil.

Un espace adéquat doit être maintenu autour de l'appareil pour observer les distances publiées de dégagement des matériaux combustibles et les distances de dégagement recommandées pour l'entretien (consultez le **Tableau 3**).

⚠️ AVERTISSEMENT : Ne placez aucun appareil à gaz dans un endroit où des vapeurs chlorées, halogénées ou acides sont présentes dans l'atmosphère. À cause de la corrosion qu'elles provoquent, ces substances peuvent causer une défaillance prématurée de l'échangeur de chaleur, qui peut à son tour causer des dommages aux biens, des blessures graves ou la mort.

Aux États-Unis, l'installation de ces appareils doit se conformer au National Fuel Gas Code, ANSI Z223.1 (NFPA 54) – plus récente édition, et aux autres codes du bâtiment locaux applicables. Au Canada, l'installation de ces appareils doit se conformer aux codes locaux de

plomberie et d'eaux usées ainsi qu'aux autres codes applicables et au code CSA-B149.1 en vigueur.

Toute activité d'installation ou d'entretien de ces appareils doit être effectuée par une entreprise d'installation et de service qualifiée, comme le définit ANSI Z223.1 (NFPA 54) – plus récente édition, ou, au Canada, par un monteur d'installation au gaz agréé.

Cet appareil est homologué avec les commandes qui sont fournies avec lui. Commandez vos pièces de rechange en consultant la liste des pièces de rechange sur la plaque signalétique. Connaissez toujours votre numéro de modèle et de série; nous nous réservons le droit de remplacer les commandes demandées par d'autres commandes autorisées.

L'appareil est équilibré pour un bon rendement. Ne modifiez aucunement le ventilateur ou ne faites jamais fonctionner les moteurs à vitesse moindre que celle indiquée dans ce manuel.

L'information au sujet des commandes vous est fournie séparément. Le même brûleur est utilisé pour le gaz naturel et le gaz propane.

INSTALLATION

AVIS : Un environnement à haute teneur en humidité ou en eau salée accélérera la corrosion de l'appareil de chauffage et réduira sa durée de vie utile. N'installez pas l'appareil de chauffage dans les endroits où l'eau (sous forme de pluie, de gouttes ou de pulvérisations) pourrait entrer dans les composants d'allumage du gaz.

⚠️ AVERTISSEMENT : Une mauvaise suspension de l'appareil de chauffage pourrait causer que celui-ci s'effondre et s'écrase. Suspendez toujours l'appareil d'une partie permanente de la structure du bâtiment pouvant supporter uniformément la force totale et le poids de l'appareil. Un manquement d'observer les distances de dégagement des matériaux combustibles peut provoquer des incendies et/ou explosions, des dommages aux biens, des blessures graves ou la mort. **Respectez toujours ces distances de dégagement minimums.**

Ces appareils sont conçus pour être suspendus par des boulons filetés dans les quatre (4) encarts filetés du panneau supérieur de l'appareil :

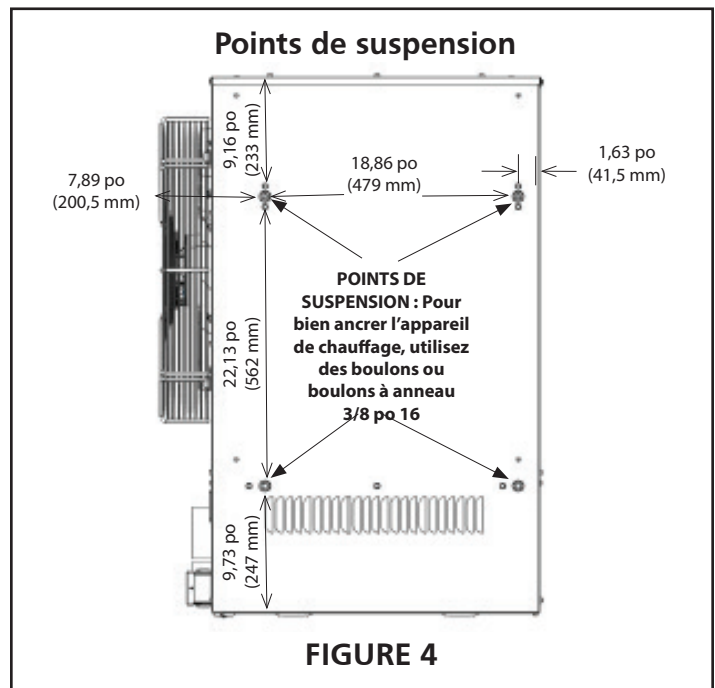


FIGURE 4

La suspension de l'appareil de chauffage doit respecter tous les codes applicables mentionnés dans la section NORMES.

Pour un bon fonctionnement, l'appareil de chauffage doit être installé à niveau, en position horizontale, selon l'emplacement désiré et dicté par les dégagements, le raccord de la ventilation, la direction de l'air, l'approvisionnement en gaz,

l'alimentation électrique et l'accessibilité pour le service.

Veillez à ce que le mode de suspension soit suffisant pour supporter le poids de l'appareil (consultez le **Tableau 1** pour voir les poids des appareils).

⚠ MISE EN GARDE : Dans les installations commerciales, n'installez pas les appareils à moins de 7 pi (2,13 m) entre le bas de l'appareil et le sol (à moins que l'appareil soit bien gardé pour protéger les utilisateurs contre les pièces mobiles). Veillez à ce que rien n'obstrue l'entrée d'air ou les sorties d'air de l'appareil. La distance de dégagement minimum des matériaux combustibles est établie selon le fait que les matériaux combustibles ne doivent jamais dépasser 160 °F. Le dégagement au-dessus du haut de l'appareil pourrait avoir à être plus grand que le minimum indiqué si des dommages par la chaleur, autres que le feu, peuvent être subis par des matériaux au-dessus de l'appareil de chauffage à la température décrite. Laissez un dégagement de 18 po (45,7 cm) à l'arrière (ou 12 po [30,4 cm] au-delà de l'extrémité du moteur à l'arrière de l'appareil, selon la plus grande de ces distances) et du côté accès pour que le ventilateur ait amplement d'air pour fonctionner correctement.

ÉVACUATION

Les appareils de chauffage Heatstar doivent être dotés de l'évacuation ici décrite pour bien diriger les gaz de combustion de l'appareil vers l'extérieur. Cette évacuation peut se terminer à la verticale par le toit (haut) ou à l'horizontale par un mur latéral (de côté).

⚠ AVERTISSEMENT : Les appareils de chauffage à gaz doivent être dotés d'une évacuation. Ne l'utilisez pas sans elle. Un extracteur à moteur intégré est fourni. Des extracteurs à moteur externes additionnels ne sont pas requis ou permis. Une évacuation insuffisante ou des événements mal scellés pourraient permettre la libération du gaz dans le bâtiment, ce qui pourrait causer des problèmes de santé, l'empoisonnement au monoxyde de carbone ou la mort. Une mauvaise évacuation peut aussi causer des incendies, explosions, blessures ou la mort.

⚠ MISE EN GARDE : L'installation doit se conformer aux codes locaux du bâtiment ou, en l'absence de tels codes, avec Part 7, Venting of Equipment, of the National Fuel Gas Code, ANSI Z223.1 (NFPA 54) – plus récente édition. Au Canada, l'installation doit se conformer à CSA B149.1.

Les appareils de chauffage Heatstar sont dotés d'un événement installé en usine que vous utilisez pour raccorder un conduit de ventilation à l'appareil de chauffage. Fixez le matériel de ventilation à l'adaptateur avec trois (3) vis à tôle non corrosives. Au besoin, percez des orifices-guides avant de fixer le conduit de ventilation en place. Le matériel de ventilation ne doit pas être plus petit que l'adaptateur installé en usine.

⚠ AVERTISSEMENT : N'évacuez pas cet appareil dans les conduits de ventilation d'un autre appareil de chauffage ou dans une cheminée de maçonnerie. N'utilisez pas de clapets dans le conduit de ventilation de l'appareil de chauffage. Le système de ventilation doit ne servir qu'à cet appareil de chauffage, et aucun autre appareil ne doit s'en servir pour la ventilation. Prenez des précautions pour prévenir la dégradation des matériaux de construction par les produits d'évacuation. Le conduit à paroi simple ne doit pas traverser un grenier occupé, un mur intérieur, un espace dissimulé ou un plancher. Un conduit à paroi simple non isolé ne doit pas être utilisé à l'extérieur pour la ventilation des appareils dans les régions où la température hivernale tombe sous le point de congélation.

REPLACEMENT DE L'ÉQUIPEMENT ACTUEL

Si votre appareil de chauffage a pour but de remplacer un équipement existant et qu'il emploie un système de ventilation déjà en place, inspectez le système de ventilation pour confirmer qu'il est de bonne taille et de bonne inclinaison horizontale, comme le demandent ces instructions et la plus récente édition du National Fuel Gas Code, ANSI Z223.1 (NFPA 54) ou du code d'installation CSA B149.1.

Confirmez l'absence de blocages, restrictions, fuites, corrosion ou autres déficiences pouvant présenter des dangers. Le conduit de ventilation doit être fabriqué d'acier galvanisé résistant à la corrosion, d'une épaisseur conforme aux exigences du National Fuel Gas Code. L'épaisseur minimum des raccords varie selon le diamètre du conduit. N'utilisez jamais un conduit en PVC ou en plastique pour la ventilation de cet appareil.

⚠ AVERTISSEMENT : Si vous remplacez un appareil de chauffage existant, vous pourriez avoir à redimensionner les événements. Les systèmes de ventilation mal dimensionnés peuvent provoquer des fuites de gaz ou de la condensation dans le système. Consultez le National Fuel Gas Code ANSI Z223.1 (NFPA 54) ou la plus récente édition de la norme CSA B149.1. Le fait de manquer d'observer ces directives peut causer des blessures graves ou la mort.

EXIGENCES GÉNÉRALES POUR LA VENTILATION

AVIS : L'évent est un passage, presque vertical, utilisé pour transporter les gaz de combustion de l'appareil ou de son raccord de ventilation, vers l'extérieur. Le raccord de ventilation est un conduit ou tuyau qui relie l'appareil au gaz à un événement ou une cheminée.

Ne mélangez pas différentes pièces de système de ventilation de différents fabricants dans un même système de ventilation.

Les raccords de ventilation servant aux appareils de Catégorie I ou de Catégorie II ne doivent pas être reliés à toute partie d'un système d'air mécanique fonctionnant sous pression positive.

Tous les joints doivent être fixés avec au moins deux vis résistantes à la corrosion. Tous les joints doivent être vérifiés après l'installation pour en garantir l'étanchéité au gaz.

⚠ MISE EN GARDE : L'appareil de chauffage et le système de ventilation doivent être inspectés chaque année par une entreprise qualifiée.

La configuration de la terminaison du système de ventilation en détermine le type de catégorie. Tous les modèles d'appareil de chauffage doivent être installés en vertu des exigences dans cette section, en plus des exigences de leur catégorie déterminée, de la façon décrite dans ce manuel.

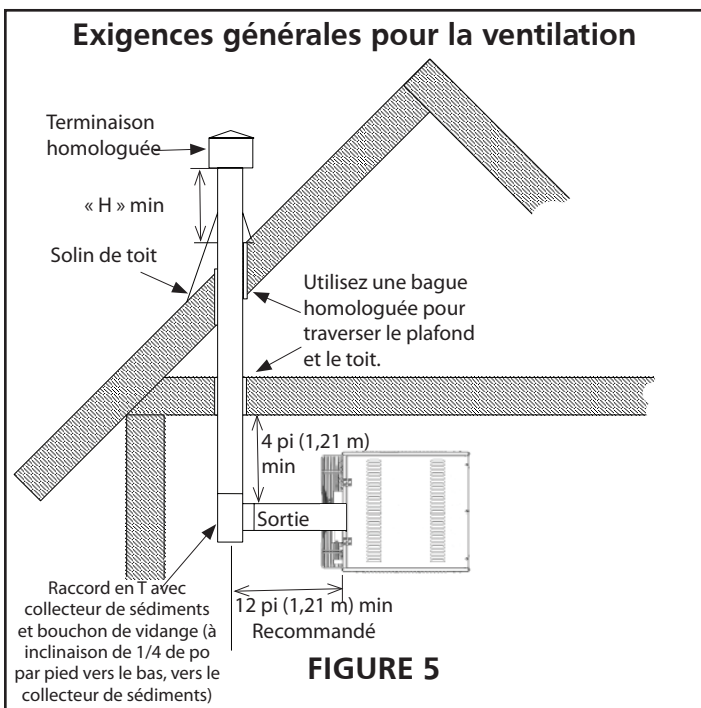
Exigences pour tous les modèles Heatstar :

- Utilisez un conduit de ventilation fabriqué d'acier galvanisé résistant à la corrosion, d'une épaisseur conforme aux exigences du National Fuel Gas Code.
- Ne dépassez pas la longueur de conduit maximale indiquée au **Tableau 4**.
- Utilisez une longueur de conduit minimum de 3 pi (914 mm).
- Les joints et raccords des conduits de ventilation doivent être fixés ensemble à l'aide d'au moins trois vis à tôle résistantes à la corrosion (fournies par l'installateur).
- Conservez une distance de dégagement de 6 po (15,24 cm) tout autour de tout conduit à paroi simple à l'écart de tout matériel combustible. Pour les conduits à paroi double (type B), observez les distances de dégagement des matières combustibles demandées par le fabricant du conduit.
- La longueur équivalente pour un coude de 4 po à 90° est de 5 pi (1,52 m).
- La longueur équivalente pour un coude de 6 po à 90° est de 7 pi (2,13 m).
- Évitez d'utiliser plus de deux changements de direction à 90° dans le système de ventilation.
- Suspendez et fixez toute tuyauterie horizontale à des points jamais plus éloignés que 3 pi (914 mm) les uns des autres.
- Les terminaisons doivent avoir une distance de 6 pi (1,82 m) de toute entrée d'air mécanique.
- Le système de ventilation doit se terminer à au moins 4 pi (1,21 m) en-dessous, 4 pi (1,21 m) de distance à l'horizontale ou 1 pi (0,30 m) au-dessus de toute porte ou fenêtre pouvant être ouverte ou toute entrée d'air par gravité dans le bâtiment.

- Le système de ventilation doit se terminer à au moins 4 pi (1,21 m) au-dessus du niveau du sol et doit se prolonger au-delà de toute structure supérieure combustible. Lorsque la condensation risque de poser un problème, le système de ventilation ne doit pas se terminer au-dessus d'un passage piétonnier public ou au-dessus d'une aire où la condensation ou la vapeur pourraient créer une nuisance ou un danger ou pourraient nuire au fonctionnement de régulateurs, d'ouvertures de tirage ou d'autres équipements.
- La terminaison doit être installée de façon à prévenir tout blocage par la neige et de façon à protéger les matériaux du bâtiment contre toute dégradation causée par les gaz de combustion.
- Le couvercle de ventilation doit être à une distance minimum de 6 po (15,24 cm) de la paroi latérale du bâtiment.
- Le système de ventilation doit se situer à au moins 36 po (91,4 cm) sous toute structure supérieure combustible ou se prolonger au-delà de celle-ci.
- Consultez le critère NFPA ANSI Z223.1 Gas Vent Termination pour les événements qui se terminent sur une inclinaison de toit supérieure à 9:12.
- Canada : les événements doivent se terminer à un minimum de 3 pi (914 mm) d'une fenêtre ou porte pouvant être ouverte, toute entrée d'air non mécanique ou toute entrée d'air de combustion dans le bâtiment.

Modèle	Diamètre du conduit de ventilation	Longueur de conduit équivalente	
		Minimum	Maximum
HSU200NG	4 po (10,16 cm)	3 pi (91,44 cm)	70 pi (21,33 m)
HSU250NG	6 po (15,24 cm)	3 pi (91,44 cm)	70 pi (21,33 m)
HSU300NG			
HSU400NG			

TABLEAU 4
Diamètres des conduits de ventilation et longueurs de conduit équivalentes pour systèmes de ventilation horizontaux



Si possible, évitez la ventilation au travers un espace non climatisé. La ventilation au travers un espace non climatisé favorise la condensation. Lorsque la ventilation au travers un espace non climatisé est inévitable, ou si l'appareil est installé dans une zone propice à la condensation, isolez la tuyauterie de plus de 5 pi (1,52 m) pour réduire la production de condensation. Inspectez la tuyauterie à l'affût de fuites avant de l'isoler et n'utilisez qu'un isolant non combustible avec une température minimale d'exploitation d'au moins 500 °F. Il est recommandé d'installer le système de ventilation avec un T, un collecteur de sédiments et un bouchon de vidange, comme dans la Figure 5.

Lorsque le conduit de ventilation passe au travers d'une paroi intérieure combustible ou d'un plancher combustible, une bague en métal d'un diamètre de 4 po (10,16 cm) de plus que le diamètre du conduit doit être utilisée. S'il y a 6 pi (1,82 m) ou plus de conduit de ventilation avant le passage au travers une cloison combustible ou un plancher combustible, la bague en métal ne doit être que de 2 po (5,08 cm) plus grande que le diamètre du conduit de ventilation. Si vous n'utilisez pas de bague en métal, toutes les distances de dégagement des matières combustibles à partir du conduit de ventilation doivent être de 6 po (15,24 cm). Si permis, un événement de type B peut être utilisé pour la dernière section de la tuyauterie de ventilation afin de réduire la distance de dégagement des matières combustibles lors du passage au travers une paroi combustible ou un plancher combustible. Pour l'utilisation de conduits de type B, observez les dégagements minimums des matières combustibles recommandés par le fabricant. Tout matériel utilisé pour fermer ou isoler l'ouverture doit être non combustible.

Fixer un conduit terminal à paroi simple à un conduit à paroi double (type B) :

- Trouvez la flèche de « circulation » sur le conduit.
- Glissez la terminaison dans l'extrémité de sortie du conduit à paroi double.
- Percez 3 orifices dans le conduit et dans la terminaison. Avec des vis à tôle d'une longueur de 3/4 po, fixez la terminaison au conduit. Veillez à ne pas trop serrer.

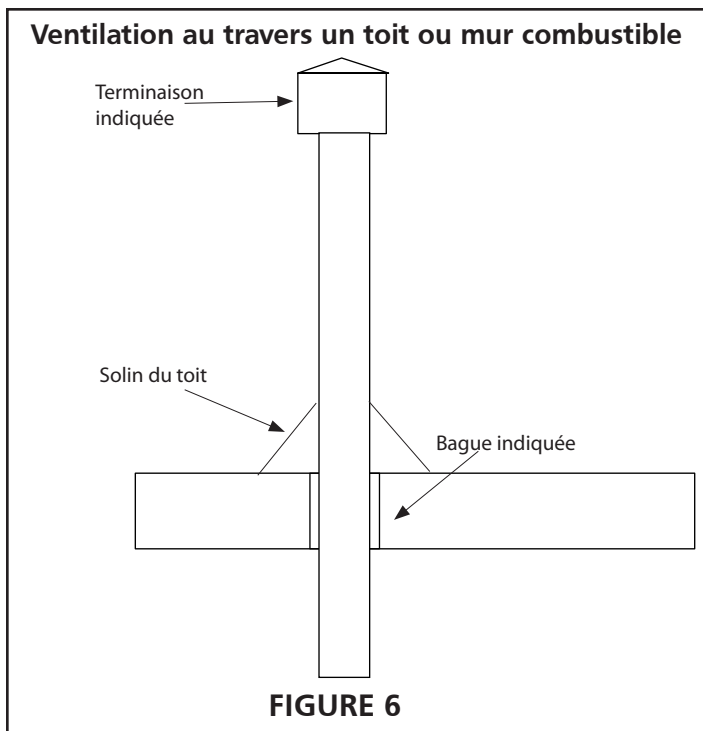
Fixer un système de ventilation à paroi simple à un conduit à paroi double (type B) :

- Glissez le conduit à paroi simple à l'intérieur de la paroi interne du conduit à paroi double.
- Percez 3 orifices dans les deux parois des conduits à paroi simple et à paroi double. Avec des vis à tôle d'une longueur de 3/4 po, attachez les deux pièces de conduit. Veillez à ne pas trop serrer.
- L'écart entre un conduit à paroi simple et un conduit à paroi double doit être scellé, mais il n'est pas nécessaire de remplir tout le volume de l'anneau. Pour faire le scellement, appliquez un cordon large de silastic 500 °F autour de l'écart.

VENTILATION VERTICALE

Un appareil qui fonctionne à pression statique positive pour la ventilation et avec une température de gaz de sortie évitant une production excessive et constante de condensation dans la ventilation est considéré comme un appareil de « Catégorie III ». Cet appareil de chauffage est considéré comme un appareil de Catégorie III si le système de ventilation se conforme à tous les critères suivants :

- Le système de ventilation se termine à la verticale (vers le haut).
- La longueur de la partie horizontale de la tuyauterie est inférieure à 75 % de la longueur de la partie verticale. Par exemple, si la partie verticale de la tuyauterie est de 10 pi (3,04 m), sa partie horizontale est de moins de 7,5 pi (2,13 m).
- Les sections horizontales de la tuyauterie de ventilation doivent être installées inclinées vers le haut à partir de l'appareil à une inclinaison de 1/4 de pouce par pied (0,6 cm pour 0,3 m) et bien suspendues à partir de structures supérieures à des points d'attache à distance maximale de 3 pi (0,91 m) entre eux.
- La tuyauterie se termine au moins 5 pi (1,52 m) au-dessus du raccord de ventilation de l'appareil.



Pour les terminaisons verticales, le système de ventilation doit se conformer à toutes les **exigences générales pour la ventilation** et aux emplacements et dégagements suivants :

- Séparez la prise d'air du conduit de ventilation par au moins 4 pi (1,21 m) en plaçant les conduits de ventilation plus hauts que les prises d'air adjacentes.
- Utilisez un chapeau d'évacuation homologué de type B.
- Les terminaisons doivent se prolonger à un minimum de 2 pi (0,60 m) au-dessus du toit.
- Les chapeaux d'évacuation doivent se trouver à un minimum de 2 pi (0,60 m) des structures avoisinantes.
- Tous les appareils de chauffage à ventilation verticale de Catégorie I doivent être raccordés à une cheminée ou un évent conforme à une norme reconnue ou à une cheminée de maçonnerie (ou de béton) doublée d'un matériel acceptable selon l'autorité compétente. La ventilation dans une cheminée de maçonnerie non doublée n'est pas permise. Consultez le National Fuel Gas Code.
- Utilisez une terminaison homologuée pour réduire les courants descendants et l'humidité dans le système de ventilation.
- Veillez à ce que le raccord de ventilation soit aussi court que possible, avec un nombre minimum de coudes. Consultez le National Fuel Gas Code ANSI Z223.1 (États-Unis) ou le Code d'installation du gaz naturel et du propane CSA B149.1 (Canada) pour voir les longueurs maximales des conduits et raccords de conduits. Les tuyauteries verticales du raccord à partir de l'inducteur de tirage à la cheminée (au conduit) ne peuvent pas dépasser les valeurs indiquées au Tableau 4.
- Lorsque la longueur d'un conduit à paroi simple, y compris les coudes, dépasse 5 pi (1,5 m), le conduit devra être isolé sur toute sa longueur avec un isolant d'au moins 1/2 po d'épaisseur en fibre de verre revêtu de feuille d'aluminium d'une densité de 1-1/2. Si vous utilisez un conduit à paroi simple dans un espace non chauffé, il doit être isolé. Un manquement de le faire causerait la condensation des gaz de combustion.
- Tous les conduits verticaux de type B-1, conduits à paroi simple ou systèmes homologués de doublure de cheminée doivent se terminer avec un chapeau d'évacuation homologué ou un assemblage homologué pour toit.
- Le conduit doit s'étendre au moins 3 pi (1 m) au-dessus du plus haut point où il traverse le toit du bâtiment et au moins 2 pi (0,6 m)

au-dessus de toute partie du bâtiment dans une distance horizontale de 10 pi (3,05 m) à moins de mention contraire dans le National Fuel Gas Code, ANSI Z223.1 (États-Unis) ou le Code d'installation CAN/CGA-B149 (Canada). Le conduit doit se prolonger au moins 5 pi (1,6 m) au-dessus de la buse de ventilation la plus élevée de l'équipement raccordé.

VENTILATION HORIZONTALE

Un appareil qui fonctionne à pression statique positive pour la ventilation et avec une température de gaz de sortie évitant une production excessive et constante de condensation dans la ventilation est considéré comme un appareil de « Catégorie III ». Cet appareil de chauffage est considéré comme un appareil de Catégorie III si le système de ventilation se conforme à tous les critères suivants :

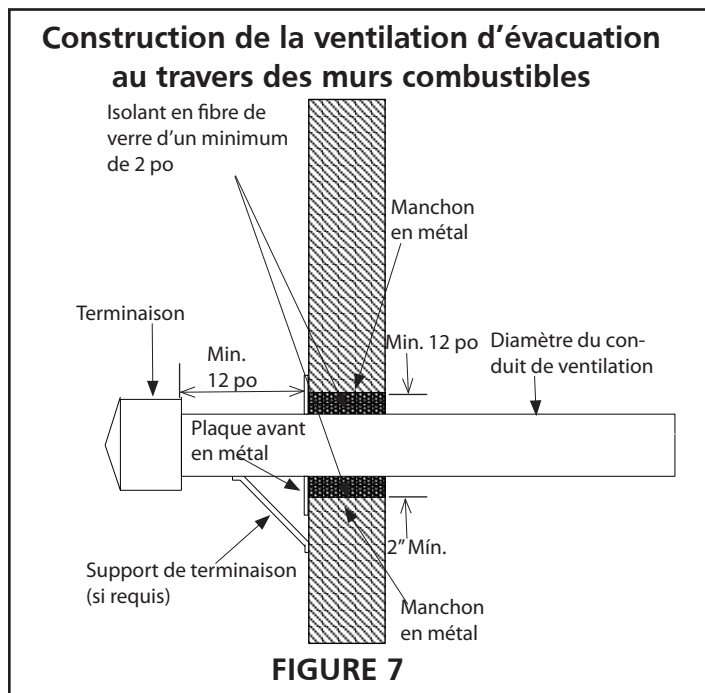
- Le système de ventilation se termine à l'horizontale (vers le côté).
- Le système se termine à la verticale, mais la longueur de la partie horizontale de la tuyauterie est supérieure à 75 % de la longueur de la partie verticale. Par exemple, si la hauteur de la partie verticale de la tuyauterie est de 10 pi (3,04 m), sa partie horizontale est de plus de 7,5 pi (2,13 m).
- Les sections horizontales du conduit doivent être installées avec une inclinaison vers le bas, à partir de l'appareil, de 1/4 de po par pied (0,6 cm pour 0,3 m).
- La tuyauterie se termine à au moins 5 pi (1,52 m) au-dessous du raccord de ventilation de l'appareil.

À cause de changements apportés à Z83-8 2009 CSA2.6-2009, l'utilisation d'un conduit B à paroi simple n'est plus permise pour une ventilation horizontale. Ce changement est applicable pour les installations résidentielles autant que commerciales. Tous les appareils à ventilation horizontale fabriqués après juillet 2011 doivent être ventilés à titre d'appareil de chauffage utilitaire de Catégorie III en conformité avec UL 1738 et ULS636.

Scellez les conduits de ventilation avec un agent scellant haute température et trois (3) vis à tôle n° 8. Faites la ventilation des endroits clos et bâtiments en vertu des directives dans ce manuel et les codes nationaux, d'État, provinciaux et locaux applicables.

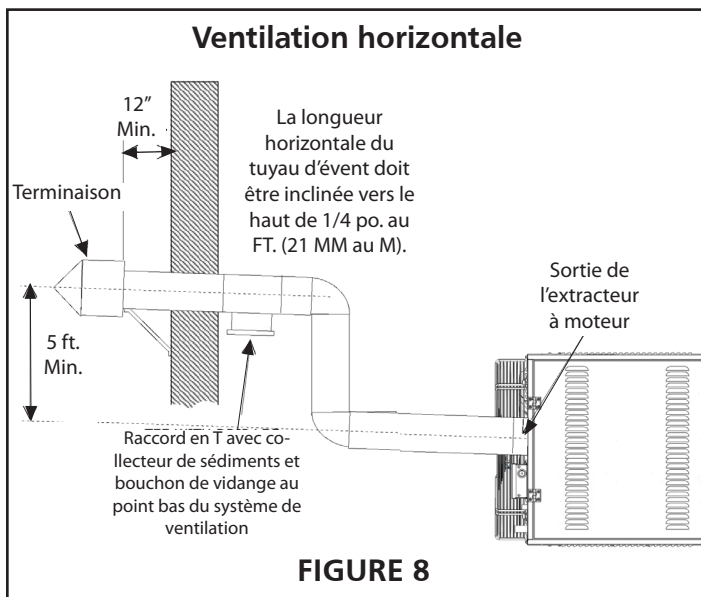
Vous devez utiliser un système de ventilation approuvé pour les appareils de Catégorie III et fabriqué par un fabricant agréé de systèmes de ventilation. Pour les systèmes à paroi unique, une section continue de conduit de ventilation à paroi double peut s'utiliser dans le système pour traverser un mur ou une barrière.

Tous les systèmes de ventilation horizontaux de Catégorie III doivent se terminer avec un chapeau d'évacuation homologué.



Exigences additionnelles pour ventilation à l'horizontale :

- Les systèmes de ventilation de Catégorie III ne doivent PAS se rattacher à un système d'évacuation commun et aucun autre appareil à gaz ne peut s'y rattacher.
- Le conduit doit se terminer à un minimum de 3 pi (914 mm) au-dessus de toute entrée d'air forcé se trouvant dans les 10 pi.
- Le bas du conduit de ventilation doit se trouver à au moins 12 po (30,4 cm) au-dessus du niveau du sol et doit se prolonger au-delà de toute structure supérieure combustible.
- Lors d'une évacuation à l'horizontale, le dégagement minimal pour Lors d'une évacuation à l'horizontale, le dégagement minimal pour la terminaison de toute porte, fenêtre, entrée d'air de gravité, compteur de gaz ou électrique, régulateur, et d'équipement de relèvement est de 1,2 m (4 pi) pour les installations aux États-Unis. Se référer au Code pour l'installation de gaz naturel et de propane NFPA 54/ANSI Z223.1 aux États-Unis, et au Code pour l'installation de gaz naturel et de propane CSA B149.2 au Canada, ou aux autorités ayant la juridiction locale. Au Canada, la terminaison d'évent doit avoir un dégagement horizontal minimum de 1,8 m (6 pi) des compteurs de gaz et électriques, tel que spécifié dans le Code canadien d'installation du gaz naturel B149.1.
- Ne joignez jamais deux sections de conduit à paroi double dans un seul système de ventilation horizontal, car il est alors impossible de vérifier si les conduits intérieurs sont bien scellés.
- Pour une terminaison située sous un avant-toit, la distance du surplomb doit être min. 24 po (60,8 cm). La distance de dégagement des matériaux combustibles au-dessus du conduit extérieur doit être maintenue à au moins 12 po (30,4 cm). Consultez le National Fuel Gas Code pour vous renseigner sur les exigences additionnelles pour les avant-toits dotés d'ouvertures de ventilation.
- Pour une aération horizontale, le conduit d'évent doit être supporté avec des crochets qui soient séparés de pas plus de 1 m (3 pi) afin de prévenir tout mouvement après l'installation.



EXIGENCES EN AIR POUR LA COMBUSTION

Des installations adéquates pour fournir de l'air pour la combustion et la ventilation doivent être mises en place en vertu de la plus récente édition de la Section 5.3, Air for Combustion and Ventilation, du National Fuel Gas Code, ANSI Z223.1, aux États-Unis, CSA B149.1 Code d'installation du gaz naturel et du propane, Normes nationales du Canada ou dispositions applicables dans les codes du bâtiment locaux.

Tous les appareils au gaz ont besoin d'air pour le processus de

combustion. Dans un vaste nombre de bâtiments d'aujourd'hui, existe une pression d'air négative à l'intérieur, causée par les ventilateurs extracteurs, etc. Si une quantité suffisante d'air de combustion n'existe pas, l'appareil de chauffage ou autre appareil fonctionnera de façon inefficace, ce qui aboutira à une combustion incomplète qui peut mener à la production d'un excès de monoxyde de carbone.

Suivez ces directives et tous les codes applicables pour tous les modèles avant d'installer les conduits pour l'air de combustion.

⚠ AVERTISSEMENT : Une quantité d'air de combustion suffisante doit être fournie à l'appareil en tout temps. Un manque d'air de combustion peut causer des dommages aux biens, des maux de tête, de nausées, l'étourdissement, l'asphyxie, des blessures graves ou la mort.

RACCORDS DE GAZ

⚠ AVERTISSEMENT : Danger d'explosion et d'incendie. Des conduits de gaz mal raccordés peuvent causer des blessures graves et la mort, des explosions, des vapeurs toxiques, des gaz toxiques ou l'asphyxie. Raccordez les conduits de gaz en vertu des codes nationaux, d'État, provinciaux et locaux. Cet appareil de chauffage fonctionne au gaz naturel ou au gaz de pétrole liquéfié (PL) et est doté d'un régulateur. Le régulateur est intégré à la soupape de gaz. La pression d'entrée maximale pour ce régulateur est de 20 po W.C. Si le conduit de gaz dépasse 20 po W.C., alors un régulateur additionnel devra être installé avant l'entrée dans l'appareil de chauffage/régulateur pour réduire la pression à un maximum de 20 po W.C. Tous les conduits de gaz sur le terrain doivent être testés pour la pression et à l'affût de fuites avant le fonctionnement. Pour faire les tests, n'utilisez jamais de flamme nue. Utilisez une solution de savon ou solution équivalente pour faire le test. Vous devez suivre ces instructions précisément. Si une surchauffe survient ou si l'alimentation en gaz manque de s'arrêter, fermez la soupape de gaz manuelle de l'appareil avant de fermer l'alimentation électrique.

⚠ MISE EN GARDE : Les conduits de gaz doivent être vidés d'air comme le décrit ANSI Z223.1 (NFPA 54) ou CSA-B149.1 – plus récente version. L'installation de conduits doit se conformer à tous les codes locaux du bâtiment ou, en l'absence de codes locaux, à la plus récente édition de la norme National Fuel Gas Code (NFPA 54). Au Canada, l'installation doit se conformer à CSA-B149.1. Lors de tests à l'affût de fuites dans le système de conduits pour l'approvisionnement en gaz, l'appareil et ses commandes de gaz doivent être isolés pendant tout test de pression allant au-delà de 14 po W.C. (1/2 psi). L'appareil doit être isolé du système de conduits d'approvisionnement en gaz en fermant sa soupape de fermeture installée sur place. Cette soupape de fermeture manuelle doit se trouver dans les 6 pi (1,82 m) de l'appareil de chauffage. Fermez toutes les sources de gaz avant d'installer l'appareil.

AVIS : Le taux d'admission total de l'appareil doit tomber dans les +/- 5 % des taux d'admission nominaux inscrits sur la plaque signalétique. Sinon, l'échangeur de chaleur pourrait défaillir prématurément.

Toutes les canalisations installées doivent se conformer aux codes et ordonnances locaux ou avec le National Fuel Gas Code, ANSI Z223.1 (NFPA 54), selon ce qui tient préséance. En installant les canalisations, vous devez considérer les exigences suivantes : Les installations au Canada doivent se conformer au code gaz B149.1.2.

- Utilisez des tuyaux noirs bien alésés et sans écaillures.
- Avant l'assemblage, appliquez un composé de scellement de bonne qualité sur toutes les extrémités mâles. Si vous comptez

	Raccord d'alimentation en gaz	Pression min. d'alimentation en gaz	Pression max. d'alimentation en gaz	Pression au collecteur	Taille des orifices	Nombre d'orifices	Consommation
	[po]	[po W.C.]	[po W.C.]	[po W.C.]	[po]		[CFH]
HSU200NG	1/2	7	20	4,5	0,110	6	190,5
HSU250NG	1/2	7	20	4,9	0,110	7	238,1
HSU300NG	1/2	7	20	1,73	0,138	9	285,7
HSU400NG	3/4	7	20	2,13	0,138	11	380,9

TABLEAU 5 : Consommation de gaz naturel

* Part de la théorie d'une valeur de chauffage moyenne de 1 050 BTU/SCF et d'une gravité spécifique de 0,60.

	Raccord d'alimentation en gaz	Pression min. d'alimentation en gaz	Pression max. d'alimentation en gaz	Pression au collecteur	Taille des orifices	Nombre d'orifices	Consommation	
	[po]	[po W.C.]	[po W.C.]	[po W.C.]	[po]		[CFH]	[Gal/h propane]
HSU200NG	1/2	11	20	7,23	0,075	6	80,0	2,19
HSU250NG	1/2	11	20	7,23	0,075	7	100,0	2,74
HSU300NG	1/2	11	20	3,81	0,084	9	120,0	3,29
HSU400NG	3/4	11	20	4,74	0,084	11	160,0	4,38

TABLEAU 6 : Consommation de gaz propane

* Part de la théorie d'une valeur de chauffage moyenne de 2 500 BTU/SCF et d'une gravité spécifique de 1,53.

alimenter le chauffe-terrace au gaz PL, veillez à ce que le tuyau soit résistant au gaz PL. **N'utilisez pas de ruban au Teflon^{MC}.**

- Un piège à sédiments conforme aux exigences typiques de la Figure 9 devra être installé dans la canalisation vers la soupape de gaz.
- Une vanne de fermeture spéciale pour l'appareil de chauffage doit être installée dans la canalisation d'alimentation en gaz.

Consultez le **Tableau 5** pour le gaz naturel et le **Tableau 6** pour le propane afin de déterminer le nombre de pieds cubes par heure (CFH) requis pour le type de gaz et d'appareil à installer. Afin de déterminer le bon diamètre des conduits, utilisez la valeur CFH et la longueur de canalisations requise. Si plusieurs appareils sont raccordés à la même canalisation de gaz principale, la capacité totale (CFH) et la longueur de la canalisation principale doivent suffire pour servir tous les appareils en aval de cette canalisation principale.

- Tous les conduits doivent être installés conformément aux exigences décrites dans le National Fuel Gas Code ANSI/Z223.1 (plus récente édition) ou CSA-B149.1 et B149.2. Supportez tous les conduits de gaz avec des supports de conduit, des bandes en métal ou autre matériel convenable. Ne comptez pas sur l'appareil de chauffage pour supporter le conduit de gaz.

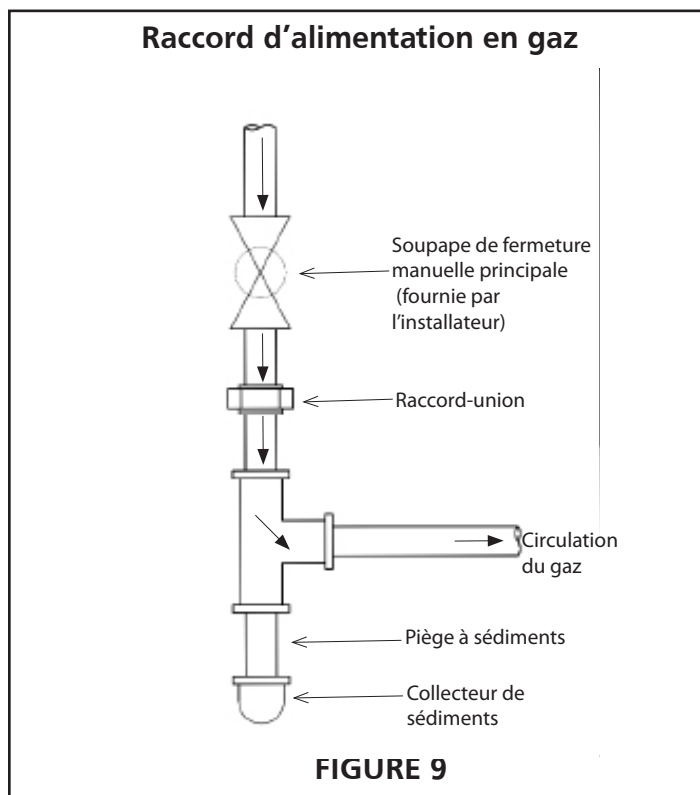
⚠ AVERTISSEMENT : Utilisez toujours deux (2) clés opposées pour resserrer les branchements de conduits pour prévenir un couple excessif sur la soupape de gaz et le tuyau du collecteur. Un couple excessif peut endommager la soupape ou décaler l'orifice, ce qui peut causer incendie, explosion, blessures graves ou mort.

- En raccordant les conduits de gaz, la longueur de la canalisation du compteur gaz à l'appareil de chauffage doit être prise en compte pour déterminer la taille de conduit, pour éviter une chute de pression excessive.
- Un collecteur de sédiments doit être installé dans la canalisation verticale vers l'appareil. Dans certaines localités, les codes pourraient exiger qu'une soupape de fermeture manuelle et qu'un joint (fourni par l'installateur) soient installés à l'extérieur de

l'appareil. L'union doit être de type raccord-union. Un collecteur de sédiments devrait être facilement accessible pour être nettoyé et vidangé. Voyez la Figure 9

AVIS : Laissez un espace d'accès minimum de 4 po (10,16 cm) autour du boîtier de raccords électriques à l'arrière de l'appareil de chauffage.

Installez une soupape 1/8 po NPT immédiatement en amont du raccord d'alimentation en gaz vers l'appareil. Elle servira à vérifier qu'une bonne pression de gaz pénètre dans l'appareil de chauffage.



TEST À L’AFFÛT DE FUITES

⚠️ AVERTISSEMENT : Utilisez une solution de savon ou une solution équivalente pour tester à l’affût de fuites. Ne testez jamais à l’affût de fuites avec une flamme nue, comme avec des allumettes ou une chandelle. Un manquement de se conformer à ceci pourrait causer des blessures, des dommages aux biens ou la mort.

- Testez toujours l’assemblage de gaz final à l’affût de fuites en vertu des procédures décrites dans NFPA 54 et tous les codes locaux ou toutes les normes locales.
- Une fois que les canalisations de gaz sont installées, vérifiez soigneusement tous les raccords de conduits (faits sur place et faits en usine) à l’affût de fuites de gaz.
- À cause des cycles de chauffage naturel et des vibrations de cet appareil, il est recommandé, dans le cadre de l’entretien annuel, de vérifier ces raccords pour vérifier qu’ils sont bien serrés et de faire une vérification à l’affût de fuites avec une solution de savon ou autre moyen préféré, avant de mettre l’appareil en service.

Pour les tests à l’affût de fuites à des pressions inférieures à 20 po W. C. :

Avant de tester pour les fuites, fermez la soupape de fermeture manuelle installée sur place sur le conduit d’alimentation et indiquée à la Figure 9, pour isoler la soupape de la pression.

AVIS : Tous les raccords de gaz installés en usine ont réussi un test approuvé à l’affût de fuites.

Pour les tests à l’affût de fuites à des pressions supérieures à 20 po W. C. :

Pour faire un test à l’affût de fuites lorsque la pression est supérieure à 20 po W. C., l’appareil doit être isolé de son conduit d’approvisionnement en gaz. Fermez la soupape de fermeture manuelle installée sur place, débranchez le conduit d’alimentation de l’appareil et obturez temporairement le conduit d’alimentation pendant le test.

⚠️ AVERTISSEMENT : Les pressions de gaz aux commandes de l’appareil ne doivent jamais dépasser 20 po W. C. Les pressions d’alimentation de plus de 20 po W. C. peuvent endommager les commandes, ce qui peut provoquer des blessures, des dommages aux biens ou la mort.

AVIS : Si un arrêt d’urgence est requis, fermez la soupape de gaz principale et coupez l’alimentation électrique à l’appareil. Ces dispositifs devraient être clairement étiquetés par l’installateur.

FONCTIONNEMENT À HAUTE ALTITUDE

⚠ AVERTISSEMENT



Danger d'explosion. Cet appareil de chauffage doit être installé et entretenu par du personnel autorisé et dûment formé en installation d'appareils à gaz. Un manquement de se conformer à ces consignes peut donner lieu à des blessures, l'asphyxie, la mort, l'incendie ou les dommages aux biens.

Cet appareil de chauffage a été configuré en usine pour des altitudes de 0 à 2 000 pi au-dessus du niveau de la mer. Au-dessus de 2000 pieds (610 m), la pression d'admission doit être ajustée selon les tableaux suivants:

Model	Altitude 0-2000 ft. (0-610m)				Altitude 2000-3000 ft. (610-910mm)			
	Pression au Collecteur		Évaluation d'Entrée		Pression au Collecteur		Évaluation d'Entrée	
	[" W.C.]	[kPa]	[BTU/Hr]	[W]	[" W.C.]	[kPa]	[BTU/Hr]	[W]
HSU200NG	4.5	1.12	200,000	58,614	4.15	1.03	192,000	56,269
HSU250NG	4.9	1.22	250,000	73,268	4.52	1.12	240,000	70,337
HSU300NG	1.73	0.43	300,000	87,921	1.59	0.40	288,000	84,404
HSU400NG	2.13	0.53	400,000	117,228	1.96	0.49	384,000	112,539

Model	Altitude 3000-4000 ft. (910-1220m)				Altitude 4000-4500 ft. (1220-1350mm)			
	Pression au Collecteur		Évaluation d'Entrée		Pression au Collecteur		Évaluation d'Entrée	
	[" W.C.]	[kPa]	[BTU/Hr]	[W]	[" W.C.]	[kPa]	[BTU/Hr]	[W]
HSU200NG	3.81	0.95	184,000	53,925	3.65	0.91	180,000	52,753
HSU250NG	4.15	1.03	230,000	67,407	3.97	0.99	225,000	65,941
HSU300NG	1.46	0.36	276,000	80,887	1.40	0.35	270,000	79,129
HSU400NG	1.80	0.45	368,000	107,850	1.73	0.43	360,000	105,505

TABLEAU 7: Valeurs calorifiques du gaz naturel à altitude

Model	Altitude 0-2000 ft. (0-610m)				Altitude 2000-3000 ft. (610-910mm)			
	Pression au Collecteur		Évaluation d'Entrée		Pression au Collecteur		Évaluation d'Entrée	
	[" W.C.]	[kPa]	[BTU/Hr]	[W]	[" W.C.]	[kPa]	[BTU/Hr]	[W]
HSU200NG	7.23	1.8	200,000	58,614	6.66	1.66	192,000	56,269
HSU250NG	7.23	1.8	250,000	73,268	6.66	1.66	240,000	70,337
HSU300NG	3.81	0.95	300,000	87,921	3.51	0.88	288,000	84,404
HSU400NG	4.74	1.18	400,000	117,228	4.37	1.09	384,000	112,539


Model	Altitude 3000-4000 ft. (910-1220m)				Altitude 4000-4500 ft. (1220-1350mm)			
	Pression au Collecteur		Évaluation d'Entrée		Pression au Collecteur		Évaluation d'Entrée	
	[" W.C.]	[kPa]	[BTU/Hr]	[W]	[" W.C.]	[kPa]	[BTU/Hr]	[W]
HSU200NG	6.12	1.52	184,000	53,925	5.86	1.46	180,000	52,753
HSU250NG	6.12	1.52	230,000	67,407	5.86	1.46	225,000	65,941
HSU300NG	3.22	0.80	276,000	80,887	3.09	0.77	270,000	79,129
HSU400NG	4.01	1.00	368,000	107,850	3.84	0.96	360,000	105,505

TABLEAU 8: Valeurs calorifiques du gaz propane en altitude

Si la pression d'admission est modifiée pour cette raison, l'étiquette d'altitude dans le kit de conversion doit être remplie et apposée sur l'unité:

Cet appareil a été converti le ____ (jour-mois-année) pour fonctionnement à ____ ft.(____m) altitude par _____ (nom et adresse de l'organisation effectuant cette conversion) qui accepte la responsabilité que cette conversion a été correctement effectuée.
Réglage de la pression du collecteur ____ W.C. Évaluation d'Entrée ____ Btu/hr

EXIGENCES RELATIVES À L'ÉLECTRICITÉ

	<p>AVERTISSEMENT</p> <p>Risque de décharge électrique. Débranchez l'alimentation en électricité avant de faire les raccords des fils pour prévenir les décharges électriques et les dommages à l'équipement. Tous les appareils doivent être câblés strictement en conformité avec le diagramme de câblage fourni avec l'appareil. Tout câblage différent du diagramme de câblage pourrait poser un danger aux personnes et aux biens. Veillez à ce que la tension d'alimentation à l'appareil, comme indiquée sur la plaque signalétique, ne soit pas 5 % supérieure ou inférieure à la tension nominale. Tout câblage original réalisé en usine et exigeant d'être remplacé doit l'être par du câblage fait d'un matériel coté pour une température d'au moins 221 °F (105 °C).</p>
---	---

- L'installation du câblage doit se conformer aux codes locaux du bâtiment ou, en l'absence de tels codes, avec le National Electric Code, ANSI/NFPA 70 – plus récente édition. L'appareil doit être mis à la terre en conformité avec ce code. Au Canada, le câblage doit se conformer à CSA C22.1, Partie 1, Code canadien de l'électricité.
- Deux exemplaires du diagramme de câblage sont fournis avec chaque appareil. L'un se trouve dans le compartiment latéral des commandes et l'autre dans le dossier des documents. Consultez ce diagramme pour faire tous les raccords de câblage.
- Assurez-vous que tous les éléments multi-tensions (moteurs, transformateurs, etc.) sont câblés en vertu de la tension d'alimentation.
- L'alimentation électrique à l'appareil doit être protégée par un fusible ou interrupteur de courant afin que l'alimentation puisse être interrompue pour l'entretien.

	Alimentation électrique				
	[V]	[A]	[Hz]	[Ph]	[W]
HSU200NG	120	6,3	60	1	756
HSU250NG	120	6,3	60	1	756
HSU300NG	120	10	60	1	1 200
HSU400NG	120	10	60	1	1 200

TABLEAU 9 : Spécifications pour l'électricité

Les raccords externes d'électricité devant être installés incluent les suivants :

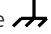
- Raccord à l'alimentation électrique (115, 208, 230, 460 ou 575 volts)
- Raccord des thermostats ou tout autre dispositif de commande accessoire pouvant être fourni (24 volts).

Tous les raccords de l'alimentation électrique se font dans le compartiment d'accès latéral de l'appareil. Les dispositifs à basse tension (thermostat et dispositifs de commande) peuvent être raccordés aux bornes dans le compartiment d'accès latéral. Consultez le diagramme de câblage pour voir l'emplacement des bornes pour tout câblage à basse tension.

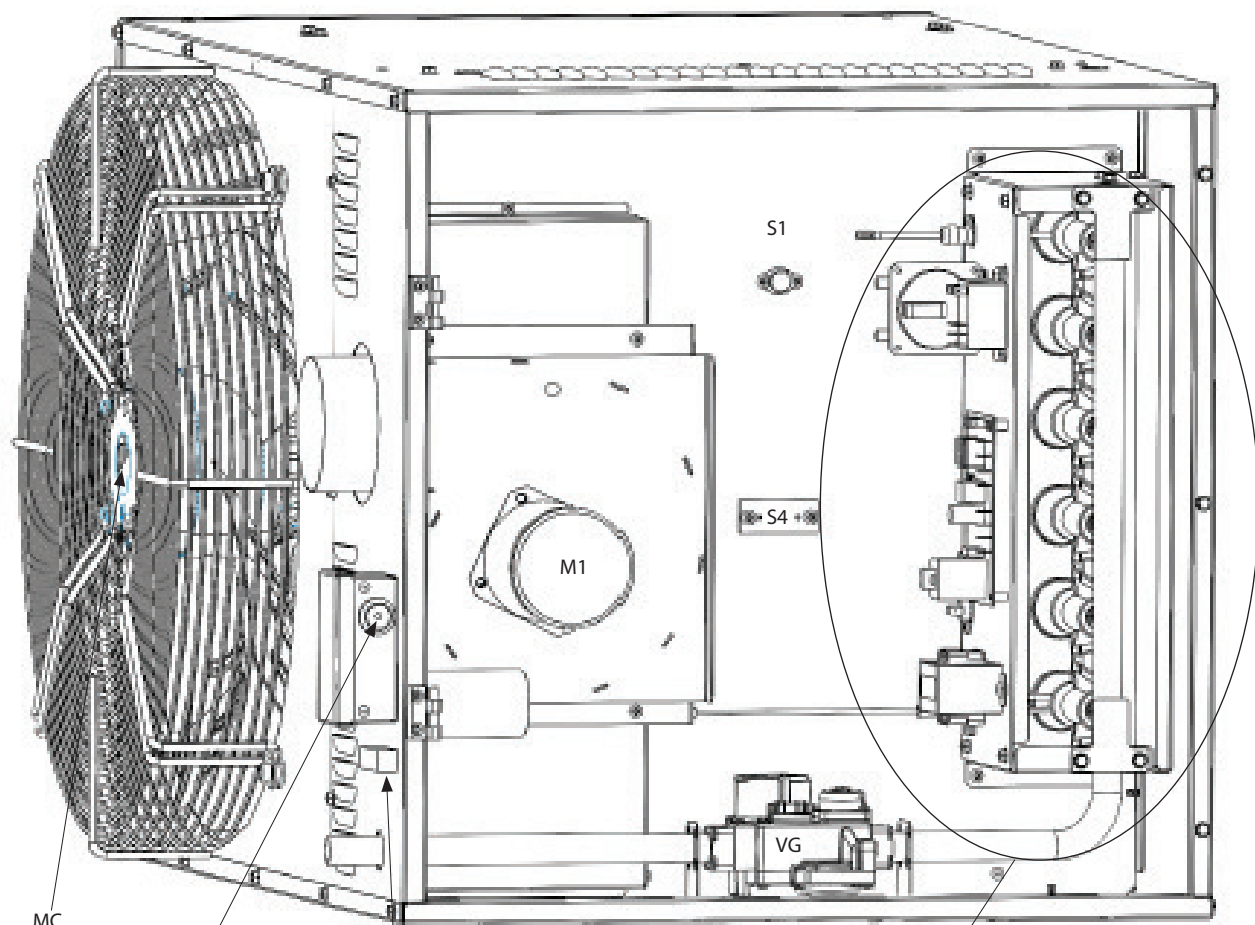
AVIS : Ces appareils de chauffage emploient un système d'allumage direct commandé. Aucune flamme pilote n'est requise, car l'allumage commandé allume le brûleur principal lorsque la soupape de gaz est mise en marche. Le tableau de commande de l'allumage commandé peut produire des parasites radio pendant l'allumage du brûleur. Leur niveau d'énergie peut être suffisant pour déranger le circuit logique dans le thermostat commandé par microprocesseur. Nous vous recommandons d'utiliser un relais d'isolement en raccordant l'appareil de chauffage à un thermostat commandé par microprocesseur. Choisissez votre mode de protection de circuit et vos calibres de fils selon la plaque signalétique de l'appareil. Retirez le couvercle de la boîte de distribution électrique et raccordez les fils dans l'orifice de la boîte de distribution se trouvant du côté de l'appareil de chauffage. Consultez le diagramme de câblage de l'appareil de chauffage pour plus d'information sur les raccords. Pour les raccords d'alimentation secteur, utilisez un fil de calibre approprié pour la section en vertu de l'information donnée sur l'alimentation électrique au **Tableau 9** et selon sa longueur. Assurez-vous de raccorder l'alimentation secteur aux fils situés dans la boîte de distribution électrique extérieure, derrière le couvercle de la boîte de distribution électrique. **NE RACCORDEZ PAS L'ALIMENTATION SECTEUR À LA BANDE DE BORNES DU THERMOSTAT À L'EXTÉRIEUR DE L'APPAREIL DE CHAUFFAGE.**

Faites la mise à la terre de l'appareil en vertu des codes locaux ou, en l'absence de tels codes, en vertu du National Electrical Code (ANSI/NFPA No. 70) en vigueur aux États-Unis et, au Canada, avec le Code canadien de l'électricité en vigueur, Partie 1 CSA C22.1.

Le fil de mise à la terre non isolé doit être enveloppé de ruban électrique pour éviter tout dommage au système électrique.

- Faites les raccords de tension secteur comme indiqué à la Figure 10. Raccordez le câblage sur place comme indiqué dans le diagramme de câblage de l'appareil. Consultez aussi le diagramme typique dans ce manuel.
- Pour utiliser le ventilateur pour la circulation d'air seulement, votre thermostat doit avoir un réglage « ventilateur seulement » ou de sélection du ventilateur. Si votre thermostat a cette option, un fil additionnel devra être mis en place jusqu'à la borne  dans le bloc de connexion du thermostat. Consultez le schéma de câblage à la Figure 11.

Composants principaux



MC

Tension secteur

Connexion du fil
du thermostat
sur l'appareil de
chauffage

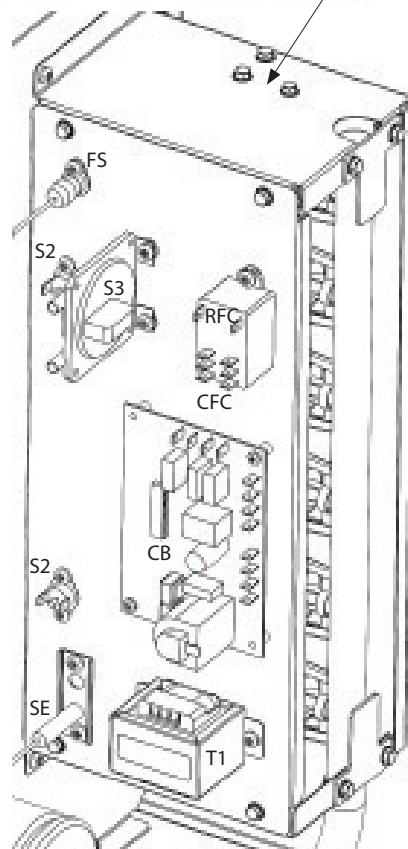


FIGURE 10

Diagramme de câblage interne

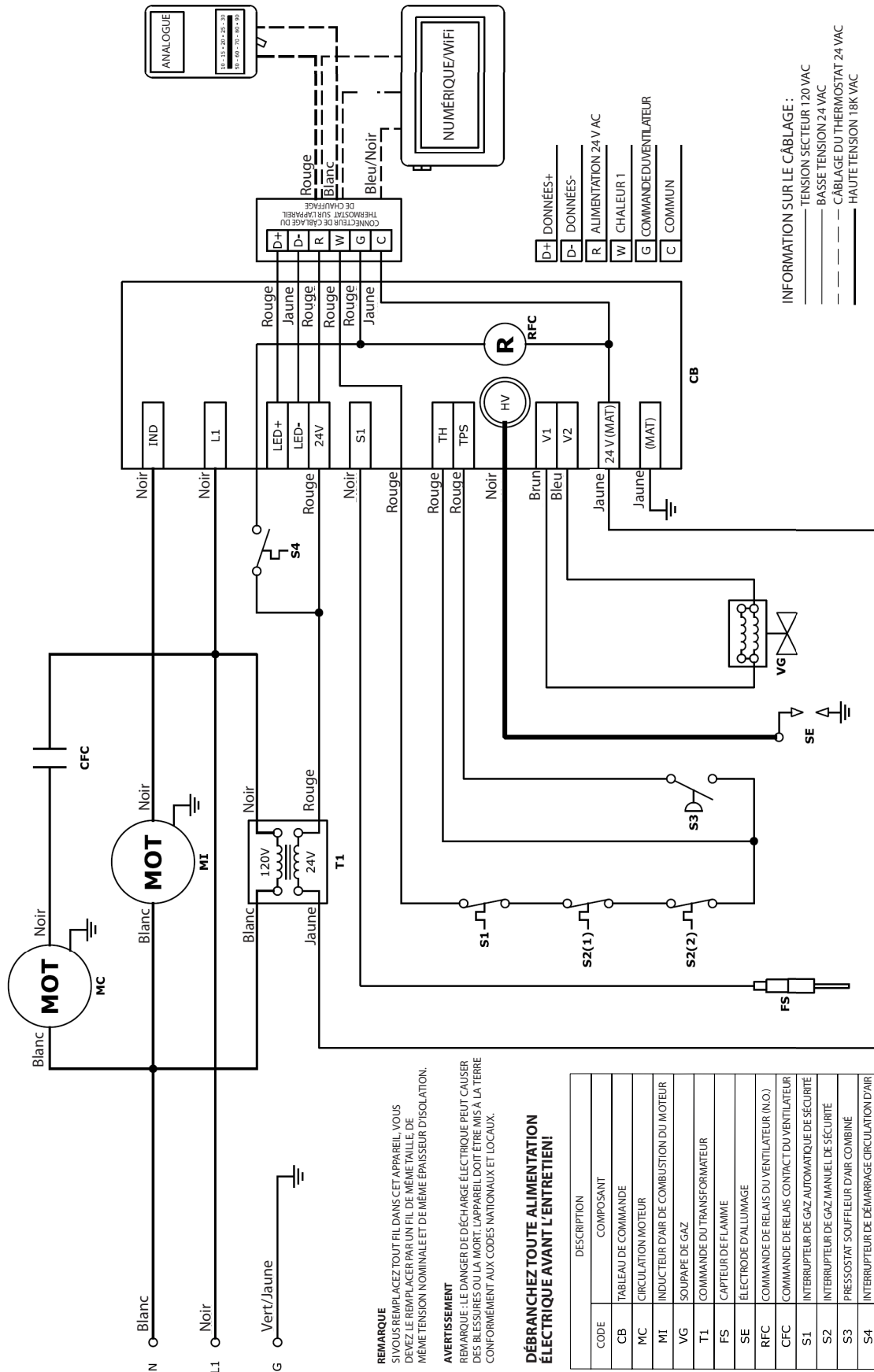
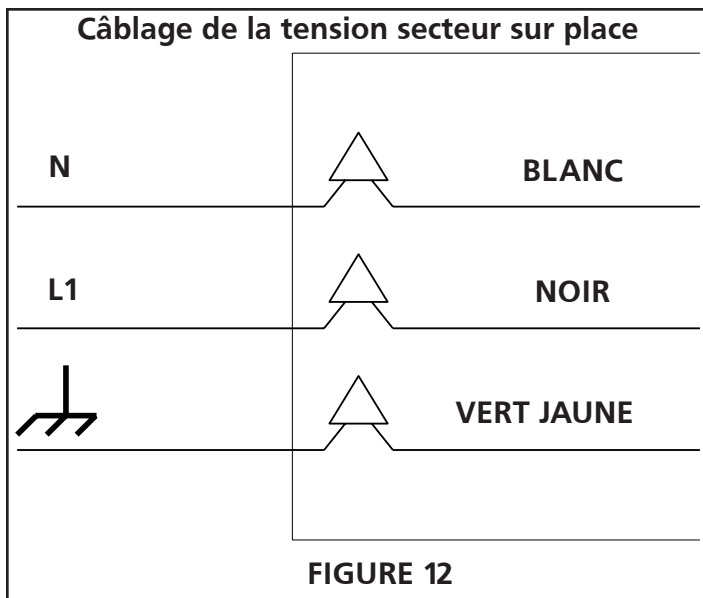


FIGURE 11



- Raccordez les fils avec des connecteurs de fil homologués UL.

AVIS : Un interrupteur homologué UL peut être installé dans la boîte de distribution 2 x 4 pour servir de déconnexion.

⚠ MISE EN GARDE : Insérez les fils d'alimentation de façon à ce qu'ils n'entrent pas en contact avec la doublure de la cheminée ou le boîtier de ventilation. Ces surfaces chaudes peuvent endommager le revêtement isolant des fils et causer des dommages à l'appareil.

EMPLACEMENT DU THERMOSTAT

L'emplacement du thermostat doit être déterminé par les exigences de chauffage désirées. Il doit être installé sur un mur intérieur à cinq (5) pieds (1,5 m) du sol fini. Installez le thermostat dans un endroit évident, où il ne sera pas influencé par la chaleur de l'appareil ou d'autres sources. Ceci ferait que l'appareil fonctionne par cycles courts. Veillez aussi à placer le thermostat à l'écart des courants d'air ou des portes qui s'ouvrent fréquemment. Pour prévenir que les courants d'air dans les murs affectent le rendement du thermostat, colmatez l'orifice du fil avec de l'isolant ou un mastic approprié. Pour plus d'information, consultez les instructions qui accompagnent le thermostat.

DÉMARRAGE

DÉMARRAGE DE L'APPAREIL

⚠ AVERTISSEMENT : L'installation, l'ajustement, la modification, le service ou l'entretien inadéquats peuvent causer des dommages aux biens, des blessures graves ou la mort. Cet appareil de chauffage doit être installé et entretenu par du personnel autorisé et dûment formé en installation d'appareils à gaz. Pendant le démarrage de l'appareil de chauffage, assurez-vous que le bâtiment est bien aéré.

⚠ MISE EN GARDE : Risque de décharge électrique. Avant de faire toute activité de service ou d'entretien, coupez l'alimentation électrique à l'appareil à l'interrupteur de déconnexion. Lors du premier démarrage de l'appareil, celui-ci émettra une odeur et possiblement de la vapeur. Le matériel liant du joint d'étanchéité émet cette odeur ou cette vapeur. Cette condition prendra fin en environ 20 minutes et ne surviendra plus. Pendant ces 20 minutes, il est recommandé d'aérer la pièce autant que possible (portes ouvertes, fenêtres ouvertes, mettez en marche tout ventilateur).

⚠ AVERTISSEMENT : Danger de décharge électrique. Peut causer des blessures ou la mort. N'utilisez pas cet appareil de chauffage si toute pièce a été sous l'eau. Appelez immédiatement un technicien qualifié qui pourra inspecter l'appareil et remplacer toute partie du système de commande ou toute commande de gaz ayant été sous l'eau. Avant de faire toute activité de service ou d'entretien, coupez l'alimentation électrique à l'appareil aux interrupteurs de déconnexion. L'appareil pourrait avoir plusieurs sources d'alimentation électrique.

CÂBLAGE SUR PLACE DE LA TENSION D'ALIMENTATION

Avant de faire les raccords électriques, assurez-vous que la tension d'alimentation, sa fréquence, sa phase et sa capacité actuelle se conforment aux exigences indiquées sur la plaque signalétique. Une source dédiée d'alimentation dotée de fils de calibre approprié devrait être directement reliée du panneau électrique à l'appareil de chauffage.

⚠ MISE EN GARDE : L'alimentation électrique à l'appareil doit tomber dans les +/- 5 % des tensions nominales inscrites sur la plaque signalétique. Si l'alimentation d'entrée ne se conforme pas à ces spécifications, communiquez avec votre fournisseur d'électricité.

- Une déconnexion du service électrique doit être fournie à l'endroit où se trouve l'appareil de chauffage. Une boîte de distribution 2 X 4 peut être fixée directement sur le panneau de l'appareil en employant la débouchure de 1/2 po (1,27 cm). Si les conditions ne le permettent pas, placez la déconnexion à un maximum de 5 pi (1,5 m) de distance du panneau d'accès.
- L'alimentation électrique principale pénètre à l'arrière de l'appareil de chauffage par une débouchure électrique de 1/2 po (1,27 cm). En amenant le conduit d'alimentation électrique à l'appareil, veillez à ce qu'il ne nuise pas ou n'obstrue pas le panneau d'accès de l'appareil.
- L'appareil est doté de trois fils conducteurs pour faire la connexion à l'alimentation principale. Raccordez le fil chaud, le fil neutre et le fil de mise à la terre de la façon indiquée dans le diagramme de câblage. En insérant les fils dans la débouchure, utilisez une bague ou un raccord à manchon homologués UL pour prévenir les dommages à l'isolant des fils. Si vous utilisez cet appareil comme appareil de combustion scellé, l'ouverture du cabinet à la boîte de distribution devra être scellée à l'épreuve de l'air avec une bague homologuée UL ou un agent scellant non réactif homologué UL appliqué à la bague.

⚠ AVERTISSEMENT : Les rebords des orifices dans la tôle peuvent être tranchants. Utilisez des gants pour vous protéger en insérant les fils.

Vérifications avant le démarrage

Confirmez que l'installation se conforme à toutes les spécifications indiquées dans le manuel ainsi qu'aux codes locaux, d'État, provinciaux et nationaux. En l'absence de tels codes, l'appareil de chauffage doit être installé conformément au National Fuel Gas Code ANSI Z223.1 (NFPA 54) en vigueur. Au Canada, l'installation doit se conformer à la Norme nationale du Canada CSA-B149 Sections 1 et 2.

Avant de faire démarrer l'appareil, vérifiez que :

- Le type de gaz indiqué sur la plaque signalétique correspond à celui que vous utilisez.
- Les raccords de gaz ont été vidés d'air et bien testés à l'affût de fuites.
- Le type et la fréquence de tension indiqués sur la plaque signalétique correspondent à ceux que vous utilisez.
- L'appareil est correctement mis à la terre en vertu du National Electrical Code, ANSI/NFPA 70 ou le Code canadien de l'électricité CSA C22.1 Partie 1.
- Cet appareil est correctement fixé à une structure permanente en mesure de supporter le poids de l'appareil.
- La hauteur de fixation appropriée a été observée.

- Les distances de dégagement des matériaux combustibles et les distances de dégagement pour l'entretien sont observées.
- L'appareil est correctement isolé ou installé de façon à prévenir les vibrations excessives.
- L'appareil est bien à niveau à l'horizontale.
- La ventilation est correctement installée conformément à ce manuel et à tout code applicable.
- L'alimentation en air de combustion est suffisante pour permettre un bon fonctionnement en tout temps.

Consultez l'Annexe 1 pour voir une liste de vérification pour le démarrage et le fonctionnement à remplir pour chaque appareil.

Vérifiez que la pression d'entrée est correcte

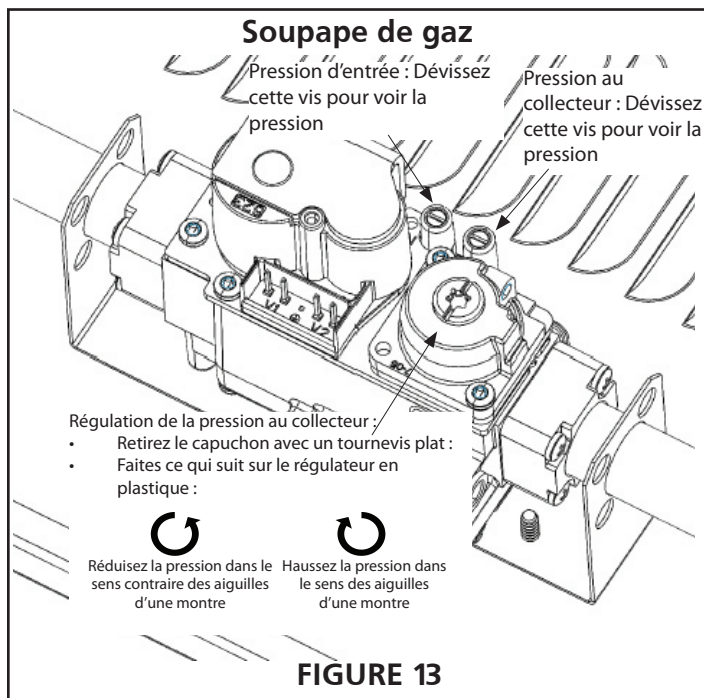
⚠ AVERTISSEMENT : Avant de faire démarrer l'appareil, sentez tout autour de l'appareil pour voir si vous sentez du gaz. N'oubliez pas de sentir près du plancher, car le gaz est plus lourd que l'air et s'accumulera vers le sol.

En tournant la soupape de fermeture du gaz, n'utilisez que votre main. N'utilisez jamais d'outils pour tourner la soupape, car ceci pourrait l'endommager et provoquer un risque d'incendie ou d'explosion. Si la poignée est coincée, ne tentez pas de la réparer.

Contactez un technicien qualifié ou votre fournisseur de gaz.

Pour vérifier que la pression d'entrée est correcte, suivez les étapes suivantes :

1. Arrêtez l'alimentation en gaz à la soupape de fermeture manuelle du gaz.
2. Dévissez la vis à l'intérieur du raccord du tuyau de pression d'entrée. Voyez la Figure 13.
3. Remettez en marche l'alimentation en gaz à la soupape de fermeture manuelle du gaz.
4. Allumez l'alimentation électrique à l'appareil de chauffage.
5. Pour allumer les brûleurs principaux, réglez le thermostat de la pièce à un point au-dessus de la température de la pièce.



AVIS : Cet appareil de chauffage est doté d'un dispositif d'allumage qui allume automatiquement le brûleur. Cet appareil de chauffage ne peut pas être allumé manuellement. Ne tentez pas d'allumer le brûleur manuellement.

La pression d'entrée maximum et minimum de l'alimentation en gaz est indiquée au Tableau 5 et au Tableau 6.

Vérifiez la pression d'entrée minimum de l'alimentation en gaz :

6. Allumez tous les autres appareils à gaz sur le même conduit d'alimentation. Si les autres appareils à gaz ont plusieurs entrées, réglez-les à l'entrée maximum.
7. Observez la pression nominale sur l'indicateur de pression.

Vérifiez la pression d'entrée maximum de l'alimentation en gaz :

8. Éteignez tous les autres appareils à gaz sur le même conduit d'alimentation.
9. Observez la pression nominale sur l'indicateur de pression.

IMPORTANT : Si la pression d'entrée de l'alimentation en gaz ne tombe pas dans la plage minimum-maximum indiquée sur la plaque signalétique, contactez votre fournisseur de gaz.

Retirez l'indicateur de pression de l'orifice d'entrée sur la soupape de gaz :

10. Réglez le thermostat ou autre dispositif de commande au point de réglage le plus bas.
11. Une fois que l'appareil termine son cycle après la vidange, éteignez l'alimentation électrique à l'appareil.
12. Arrêtez l'alimentation en gaz à la soupape de fermeture manuelle du gaz.
13. Retirez le tube de l'indicateur de pression.
14. Vissez la vis à l'intérieur du raccord du tuyau de pression d'entrée.
15. Faites une vérification à l'affût de fuites avec une solution de savon ou autre méthode équivalente, comme le décrit ANSO Z223.1 (NFPA 54).

Vérifier la pression au collecteur

Avant de faire démarrer l'appareil, sentez tout autour de l'appareil pour voir si vous sentez du gaz. N'oubliez pas de sentir près du plancher, car le gaz est plus lourd que l'air et s'accumulera vers le sol.

En tournant la soupape de fermeture du gaz, n'utilisez que votre main. N'utilisez jamais d'outils pour tourner la soupape, car ceci pourrait l'endommager et provoquer un risque d'incendie ou d'explosion. Si la poignée est coincée, ne tentez pas de la réparer. Faites appel à un technicien qualifié ou à votre fournisseur de gaz.

Pour vérifier la pression au collecteur, suivez les étapes suivantes :

1. Arrêtez l'alimentation électrique à l'appareil de chauffage.
2. Dévissez la vis à l'intérieur du raccord du tuyau du collecteur (voyez la Figure 13).
3. Raccordez le tube de l'indicateur de pression et le manomètre.
4. Allumez l'alimentation électrique à l'appareil de chauffage.
5. Pour allumer les brûleurs principaux, réglez le thermostat de la pièce à un point au-dessus de la température de la pièce.

AVIS : Cet appareil de chauffage est doté d'un dispositif d'allumage qui allume automatiquement le brûleur. Cet appareil de chauffage ne peut pas être allumé manuellement. Ne tentez pas d'allumer le brûleur manuellement.

6. Une fois que l'appareil s'est bien allumé, attendez cinq minutes avant de vérifier l'indicateur. L'appareil doit être en fonctionnement stable avant que vous puissiez lire la pression au collecteur.
7. En attendant que l'appareil se stabilise, observez les caractéristiques de la flamme. La flamme devrait être stable et ne pas se soulever du brûleur. Le brûleur devrait être bleu et ne pas produire un bruit excessif.
8. Après cinq minutes, observez la pression nominale sur l'indicateur de pression.

La pression au collecteur maximum et minimum est indiquée au Tableau 5 et au Tableau 6 :

AVIS : La pression au collecteur de l'appareil est réglée en usine. Aucun ajustement ne devrait être requis.

Pendant le processus de vérification, une tolérance de +/- 5 % dans la plage complète est acceptable à cause des conditions atmosphériques variées.

Si la pression au collecteur ne tombe pas dans cette plage de tolérance, un ajustement pourrait être nécessaire.

- Réglez la vis d'ajustement jusqu'à ce que vous atteigniez la pression indiquée sur la plaque signalétique.

Retirer l'indicateur de pression de l'orifice du collecteur sur la soupape de gaz :

- Réglez le thermostat ou autre dispositif de commande au point de réglage le plus bas.
- Une fois que l'appareil termine son cycle après la vidange, éteignez l'alimentation électrique à l'appareil.
- Arrêtez la soupape de fermeture du gaz.
- Retirez le tube de l'indicateur de pression et le manomètre.
- Vissez la vis à l'intérieur du raccord du tuyau du collecteur (voyez la Figure 13).
- Arrêtez la soupape de fermeture du gaz.
- Réglez le thermostat ou autre dispositif de commande au point de réglage le plus haut.
- Attendez que l'appareil redémarre.
- Faites une vérification du raccord du boyau de pression au collecteur à l'affût de fuites avec une solution de savon ou autre méthode équivalente, comme le décrit ANSO Z223.1 (NFPA 54).

Avant de quitter les lieux

Avant de quitter les lieux, vérifiez que :

- La porte d'accès pour l'entretien est bien fixée à l'appareil.
- L'appareil est à l'écart de tout objet qui pourrait nuire à une bonne circulation d'air ou qui enfreint aux distances de dégagement indiquées des matériaux combustibles.
- Les persiennes directionnelles pour l'air sont ajustées pour la circulation d'air désirée et ne sont pas fermées ou ajustées au-delà de 60° perpendiculaires à la face de l'appareil.
- La soupape de fermeture manuelle est en position ouverte (« ON »).
- L'alimentation électrique est en marche.
- Le thermostat est réglé à la température voulue.
- Jetez bien tout le matériel d'emballage.
- Assurez-vous d'avoir bien récupéré tous vos outils.
- Laissez au propriétaire ou utilisateur final le manuel d'installation, de fonctionnement, d'entretien et des pièces.

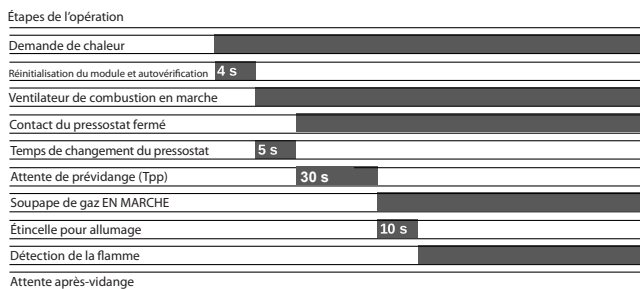
SÉQUENCE DE FONCTIONNEMENT DE L'APPAREIL

⚠️ AVERTISSEMENT : POUR VOTRE SÉCURITÉ AVANT L'ALLUMAGE AVANT D'ALLUMER L'APPAREIL, sentez tout autour de l'appareil à l'affût d'une odeur de gaz. N'oubliez pas de sentir près du plancher, car le gaz est plus lourd que l'air et s'accumulera vers le sol

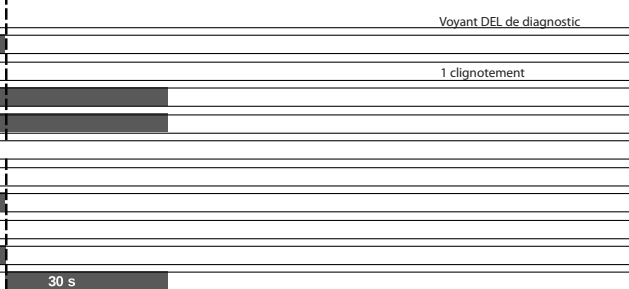
⚠️ AVERTISSEMENT : Cet appareil n'est pas doté d'une flamme pilote pour l'allumage. Il est doté d'un dispositif d'allumage qui allume automatiquement le brûleur. Ne tentez pas d'allumer le système manuellement.

Séquence de démarrage

Séquence de DÉMARRAGE/MODE CHAUFFAGE

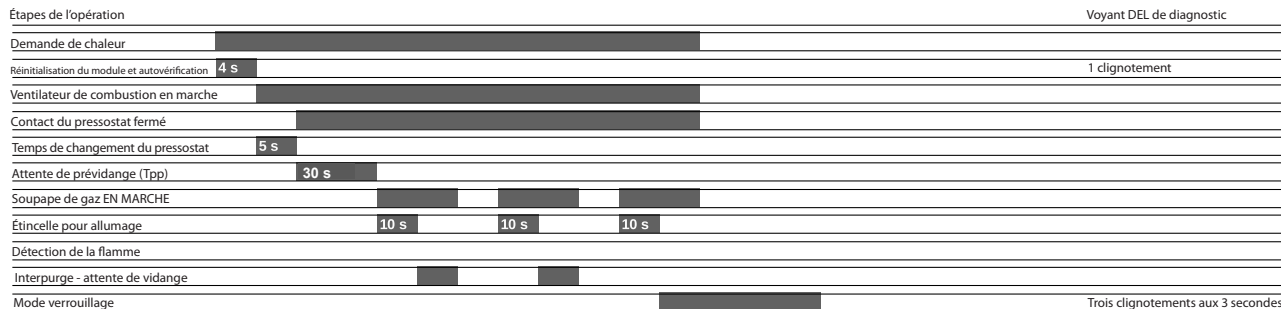


Séquence de MODE ARRÊT



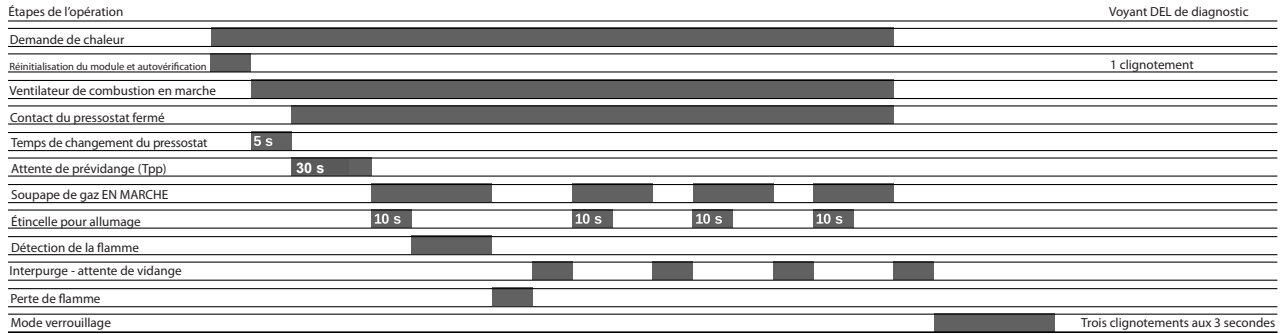
Séquence d'échec de flamme au démarrage

Séquence d'ÉCHEC DE FLAMME AU DÉMARRAGE (mode essais multiples; 3 tentatives)



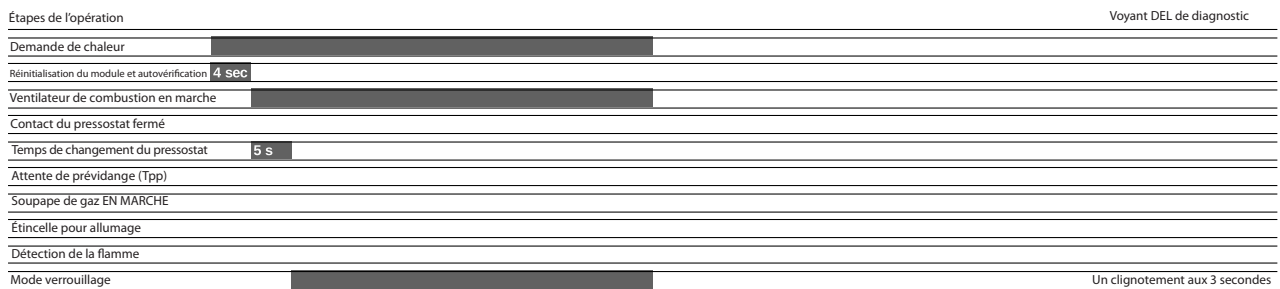
Séquence de perte de flamme

Séquence de PERTE DE FLAMME (mode essais multiples)



Séquence d'échec de changement de condition du pressostat au démarrage

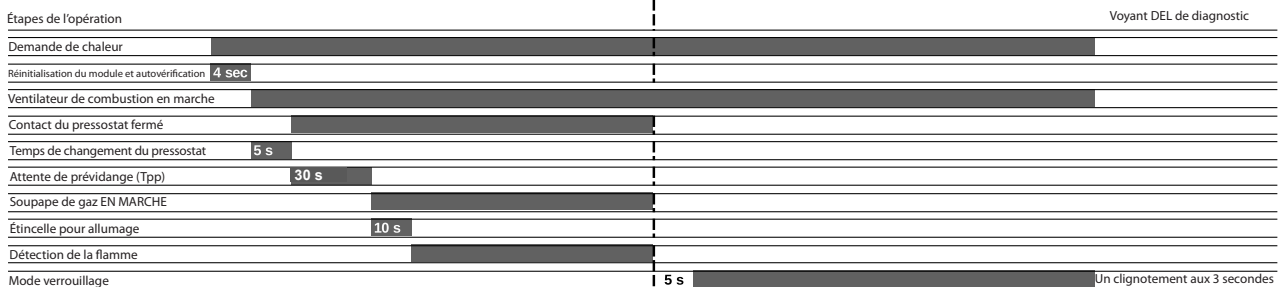
Séquence d'ÉCHEC DE CHANGEMENT DE CONDITION DU PRESSOSTAT AU DÉMARRAGE



Séquence d'échec de surveillance de la circulation d'air de combustion

Séquence d'échec de surveillance de la circulation d'air de combustion

PRESSOSTAT AU DÉMARRAGE



SÉQUENCE DE FONCTIONNEMENT

- ARRÊTEZ!** Assurez-vous d'avoir lu et compris toutes les consignes de sécurité au sujet du fonctionnement de cet appareil au gaz. Toute tâche de service ou d'entretien doit être effectuée par un installateur agréé.
- Réglez le thermostat à son réglage le plus bas.
- Coupez l'alimentation électrique à l'appareil.
- Cet appareil est doté d'un dispositif d'allumage qui allume automatiquement le brûleur. **NE TENTEZ PAS** d'allumer les brûleurs manuellement.
- Une soupape de fermeture principale se trouve en amont de l'appareil. Ouvrez-la. (Consultez la Figure 9 à la page 11.)
- Attendez cinq minutes pour que tout gaz se dissipe. Si vous sentez alors du gaz, **ARRÊTEZ!** Appelez immédiatement votre fournisseur de gaz en utilisant le téléphone d'un voisin. Suivez les directives de votre fournisseur de gaz. Si vous sentez du gaz, ne passez pas à la prochaine étape.

- Allumez l'alimentation électrique à l'appareil.
- Réglez le thermostat au réglage désiré.

⚠️ AVERTISSEMENT : En cas de surchauffe ou si le système de commande de l'approvisionnement en gaz manque de couper la circulation de gaz, fermez la soupape de fermeture manuelle du gaz avant d'arrêter l'alimentation électrique.

PROCÉDURES D'ARRÊT

- Réglez le thermostat au niveau le plus bas.
- Éteignez l'alimentation électrique à l'appareil si vous vous apprêtez à faire des tâches de service ou d'entretien.
- Tournez la poignée de fermeture manuelle en amont de l'appareil. Ne la forcez pas.

ENTRETIEN

⚠ MISE EN GARDE : Éteignez l’approvisionnement en gaz et l’alimentation électrique à l’appareil avant de faire toute tâche d’entretien ou de service sur cet appareil. N’oubliez pas de suivre les instructions d’allumage en remettant l’appareil en marche après le service ou l’entretien. Si tout câblage original fourni avec l’appareil doit être remplacé, il doit l’être par du câblage fait d’un matériel coté pour une température d’au moins 221 °F (105 °C). N’utilisez pas cet appareil de chauffage si toute pièce a été sous l’eau. Appelez immédiatement un technicien qualifié qui pourra inspecter l’appareil et remplacer toute commande de gaz ayant été sous l’eau.

- Vérifiez l’étanchéité au gaz des soupapes de fermeture de sécurité au moins une fois par année.
- Pour vérifier l’étanchéité au gaz des soupapes de fermeture de sécurité, fermez la soupape de fermeture manuelle en amont de la commande combinée de l’appareil. Retirez l’obturateur à tête hexagonale du côté d’entrée de la commande combinée et reliez un manomètre à cet orifice.
- Mettez la soupape manuelle en marche pour appliquer de la pression à la commande combinée. Notez la pression indiquée sur le manomètre et refermez ensuite la soupape. Une perte de pression révèle une fuite. Si vous détectez une fuite, utilisez une solution de savon pour vérifier tous les raccords filetés. Si vous ne trouvez pas de fuite, c’est que la commande combinée est défectueuse et qu’elle doit être remplacée avant que l’appareil soit remis en service.

Si un entretien est requis, suivez le processus d’inspection et de service suivant :

BRÛLEURS

- Examinez périodiquement les flammes des brûleurs pour voir si elles se présentent correctement pendant la saison de chauffage.
- Avant chaque saison de chauffage, examinez les brûleurs à l’affût de débris ou de blocages pouvant s’être formés.

Nettoyez les brûleurs de la façon suivante :

1. Coupez l’approvisionnement en gaz et l’alimentation électrique à l’appareil.
2. Débranchez les conduits d’approvisionnement en gaz, le raccord de haute tension et les têtes de capteur. Retirez le collecteur de gaz. Retirez le plateau du brûleur.
3. Nettoyez les brûleurs. Assurez-vous que les têtes des brûleurs s’alignent convenablement pour que les flammes puissent se croiser. Vérifiez l’écart d’allumage de l’électrode et ajustez-le au besoin. L’écart devrait se situer entre 0,110 po et 0,140 po (2,79 mm à 3,56 mm). L’écart peut être vérifié avec un foret hélicoïdal de taille appropriée ou une jauge d’épaisseur.
4. Réinstallez le plateau du brûleur, le collecteur de gaz, le raccord de haute tension et les têtes de capteur. Rebranchez le conduit d’approvisionnement en gaz.
5. Rétablissez l’alimentation électrique et l’approvisionnement en gaz. Pour allumer l’appareil, suivez les instructions d’allumage. Vérifiez la flamme du brûleur.

PASSAGES D’ÉVACUATION DES GAZ DE COMBUSTION ET BOÎTE D’ÉVACUATION

Les passages d’évacuation et la boîte d’évacuation doivent être inspectés et vérifiés avant chaque saison de chauffage. La séquence à suivre est la suivante :

1. Coupez l’approvisionnement en gaz et l’alimentation électrique à l’appareil.
2. Débranchez le câblage du ventilateur d’air de combustion.
3. Retirez les vis qui tiennent en place la boîte d’évacuation sur l’appareil. Retirez la boîte d’évacuation. Au besoin, retirez l’assemblage du ventilateur de la boîte d’évacuation. Nettoyez la boîte d’évacuation avec une brosse en fil de fer.
4. Retirez les supports des turbulateurs et les turbulateurs. Nettoyez les turbulateurs avec une brosse en fil de fer.
5. Retirez les brûleurs de la façon décrite dans la section « BRÛLEURS ».
6. Nettoyez les tubes avec une brosse en fil de fer.
7. Reconstituez l’appareil. Pendant le processus, vous devriez aussi remplacer les joints d’étanchéité de l’air de combustion et de la boîte d’évacuation.
8. Rétablissez l’alimentation électrique et l’approvisionnement en gaz. Pour allumer l’appareil, suivez les instructions d’allumage. Vérifiez le bon fonctionnement de l’appareil.

SOUFFLEUR D’AIR DE COMBUSTION

En conditions de fonctionnement normales, le souffleur d’air de combustion devrait être vérifié et nettoyé avant chaque saison de chauffage, avec l’alimentation électrique coupée. Utilisez une petite brosse pour nettoyer la roue du souffleur.

ÉLECTRICITÉ

1. Vérifiez tous les câblages à l’affût de raccords lâches.
2. Vérifiez la tension à l’appareil (appareil en marche).
3. Vérifiez le calibre d’ampérage.

CONDUITS ET CHEMINÉE

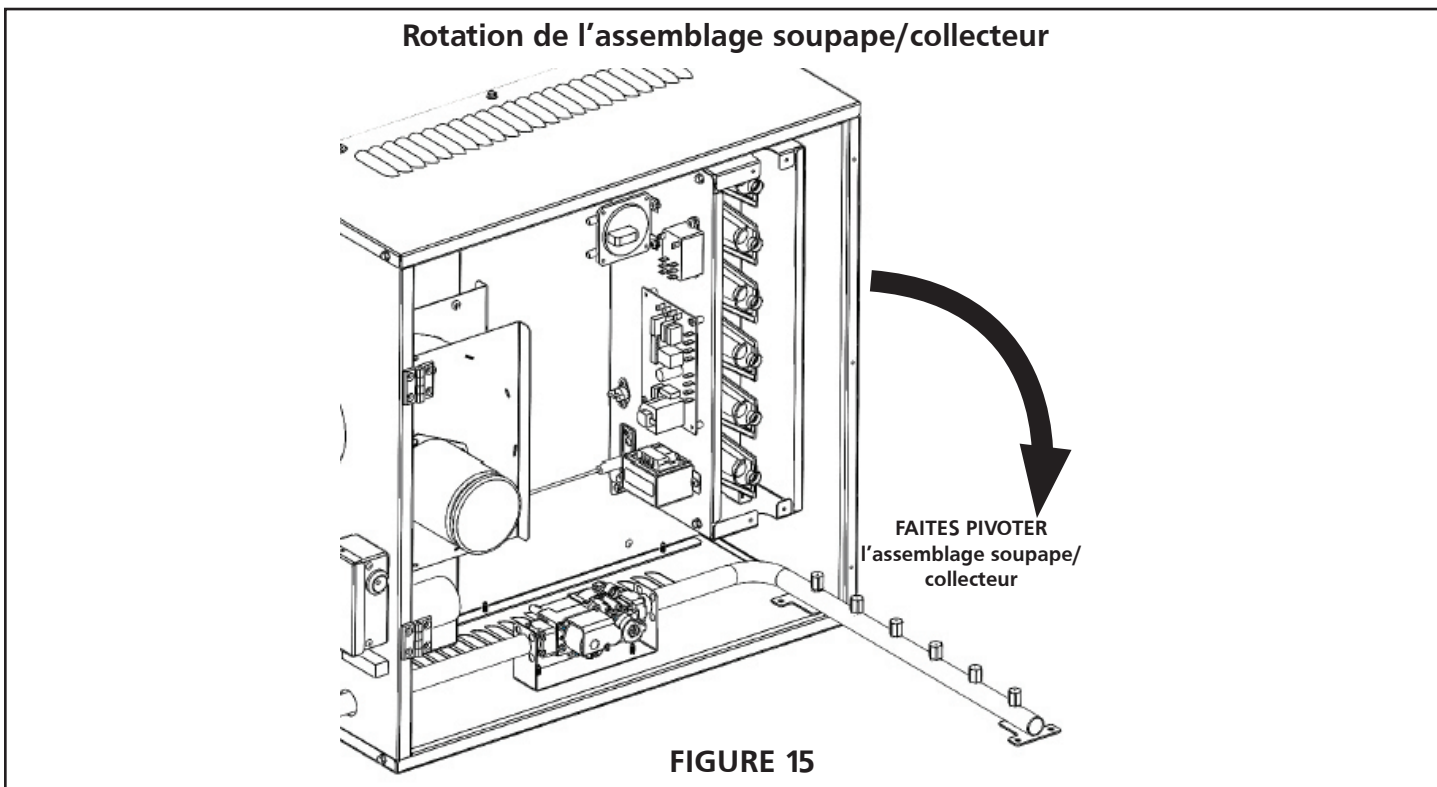
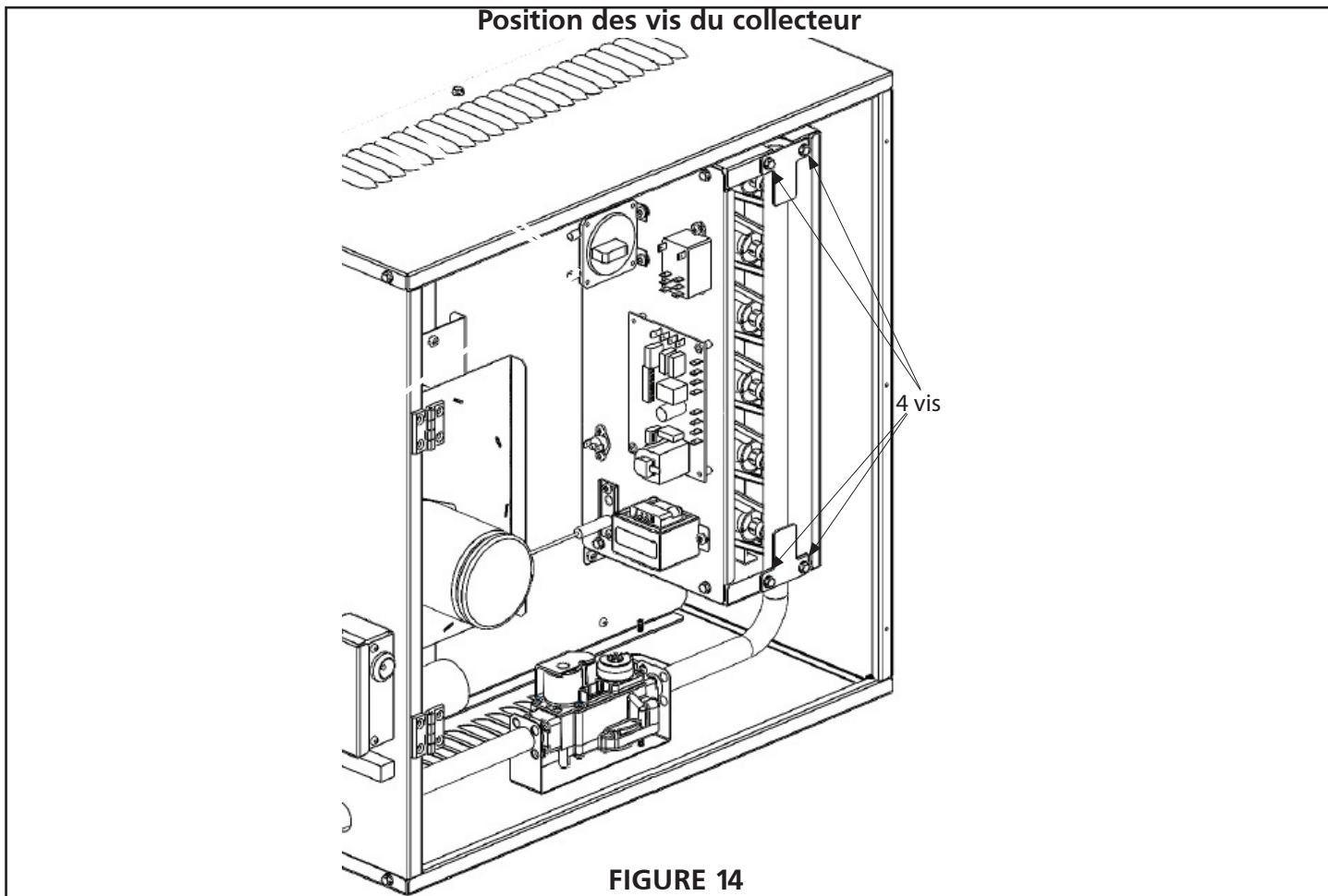
Vérifiez tous les joints de conduits et raccords de conduits pour vous assurer qu’ils sont bien serrés. Assurez-vous que les raccords sont bien scellés et non obstrués.

AUTRES VÉRIFICATIONS

1. Inspectez l’aire autour de l’appareil pour vous assurer qu’aucun matériel combustible ne se trouve à l’intérieur de la distance de dégagement minimum indiquée dans ce manuel. En aucune circonstance du matériel combustible ne doit se trouver à l’intérieur des distances de dégagement minimums indiquées dans ce manuel. Un manquement d’observer un dégagement suffisant peut causer des blessures ou des dommages à l’équipement causés par le feu.
2. Suivez la procédure de démarrage appropriée indiquée dans la section Fonctionnement de ce manuel (consultez les instructions d’allumage sur la plaque signalétique de l’appareil).
 - Vérifiez le réglage du brûleur.
 - Vérifiez aussi toutes les soupapes de gaz et raccords de conduits à l’affût de fuites.
3. Vérifiez le fonctionnement de la soupape de gaz automatiquement en réduisant le réglage du thermostat pour arrêter le fonctionnement de l’appareil. La soupape de gaz devrait se fermer bien serré et complètement éteindre la flamme du brûleur.
4. Si l’air de combustion est fourni par la pièce même, assurez-vous qu’une distance de 12 po (30,4 cm) est observée autour de tous les orifices d’entrée.
5. Vérifiez et testez le fonctionnement de tous les dispositifs de sécurité fournis avec l’appareil (consultez les sections DÉMARRAGE DE L’APPAREIL et SÉQUENCE DE FONCTIONNEMENT DE L’APPAREIL).

INSTRUCTIONS DE CONVERSION DU COMBUSTIBLE

L'appareil de chauffage est fabriqué selon les normes pour l'utilisation avec du gaz naturel. Si vous utilisez plutôt du gaz PL/propane, utilisez les orifices de conversion fournis avec l'appareil. Suivez les instructions ci-dessous.



⚠ AVERTISSEMENT : Danger d'explosion



COUPEZ L'APPROVISIONNEMENT EN GAZ À L'APPAREIL AVANT TOUTE ACTIVITÉ D'ENTRETIEN OU DE SERVICE.

LE FAIT DE MANQUER D'OBSERVER CES INSTRUCTIONS PEUT CAUSER LA MORT, DES BLESSURES OU DES DOMMAGES AUX BIENS.

⚠ AVERTISSEMENT : Danger de décharge électrique



DÉBRANCHEZ LE CORDON D'ALIMENTATION DE LA PRISE AVANT TOUTE ACTIVITÉ D'ENTRETIEN OU DE SERVICE.

LE FAIT DE MANQUER D'OBSERVER CES INSTRUCTIONS PEUT CAUSER LA MORT, DES BLESSURES OU DES DOMMAGES AUX BIENS.

Les électrodes et capteurs ne sont pas ajustables. NE CHANGEZ PAS leur emplacement ou position dans le cadre de cette trousse de conversion.

⚠ AVERTISSEMENT ⚠

CETTE TROUSSE DE CONVERSION DOIT ÊTRE INSTALLÉE PAR UNE ENTREPRISE DE SERVICE QUALIFIÉE EN VERTU DES INSTRUCTIONS DU FABRICANT ET DE TOUS LES CODES APPLICABLES DE L'AUTORITÉ COMPÉTENTE. SI VOUS MANQUEZ DE SUIVRE PRÉCISÉMENT L'INFORMATION PRÉSENTÉE DANS CES INSTRUCTIONS, UN INCENDIE OU UNE EXPLOSION OU LA PRODUCTION DE MONOXYDE DE CARBONE POURRAIENT CAUSER DES DOMMAGES AUX BIENS, DES BLESSURES OU MÊME LA MORT. L'ENTREPRISE DE SERVICE QUALIFIÉE EFFECTUANT LES TRAVAUX ASSUME LA RESPONSABILITÉ DE LA CONVERSION APPROPRIÉE DE CET APPAREIL AVEC CETTE TROUSSE.

Étape 1

⚠ MISE EN GARDE : AVANT DE COMMENCER LA CONVERSION, L'APPAREIL NE DOIT ÊTRE RACCORDÉ NI À L'APPROVISIONNEMENT EN GAZ NI À L'ALIMENTATION ÉLECTRIQUE.

Étape 2

Retirez et conservez les quatre vis tenant le collecteur en place sur la boîte des brûleurs (Figure 14). Faites pivoter l'assemblage soupape/collecteur à l'écart des brûleurs (Figure 15). L'assemblage soupape/collecteur contient des orifices. Ceux-ci vous donneront accès aux orifices du collecteur.

Étape 3

Retirez et jetez le capuchon d'ajustement de la soupape/du régulateur avec un tournevis plat en faisant tourner la vis dans le sens contraire des aiguilles d'une montre.

Étape 4

Retirez et jetez les orifices du collecteur en utilisant une clé à extrémité ouverte de 1/2 po. Faites-les tourner dans le sens contraire des aiguilles d'une montre pour les enlever. Prenez les nouveaux orifices de la trousse de conversion et, avant de les installer, confirmez que le chiffre inscrit sur le côté de l'orifice correspond au chiffre indiqué au **Tableau 1**. Si ce n'est pas le cas, communiquez immédiatement avec Heatstar, Inc., pour vous procurer la bonne trousse. S'il s'agit des bons orifices, installez-les dans le collecteur en veillant à ne pas croiser les filetages.

Étape 5

Faites pivoter l'assemblage soupape/collecteur pour le replacer dans la boîte d'évacuation en vous assurant que les orifices sont bien dans les brûleurs et non pas pris dans l'anneau de localisation à l'arrière de chaque brûleur. Fixez le collecteur en place sur la boîte d'évacuation avec les quatre vis enlevées à l'étape 2.

Étape 6

Étape 6

Suivez les instructions des sections Exigences relatives à l'électricité et Raccords de gaz pour reconstituer l'appareil, en n'oubliant pas de vérifier tous les raccords avec de l'eau savonneuse.

Étape 7

Prenez l'étiquette de classement de la trousse et collez-la par-dessus la portion appropriée de l'étiquette existante. L'étiquette pré-imprimée porte toute l'information nécessaire pour l'appareil de chauffage converti. Voyez la Figure 16.

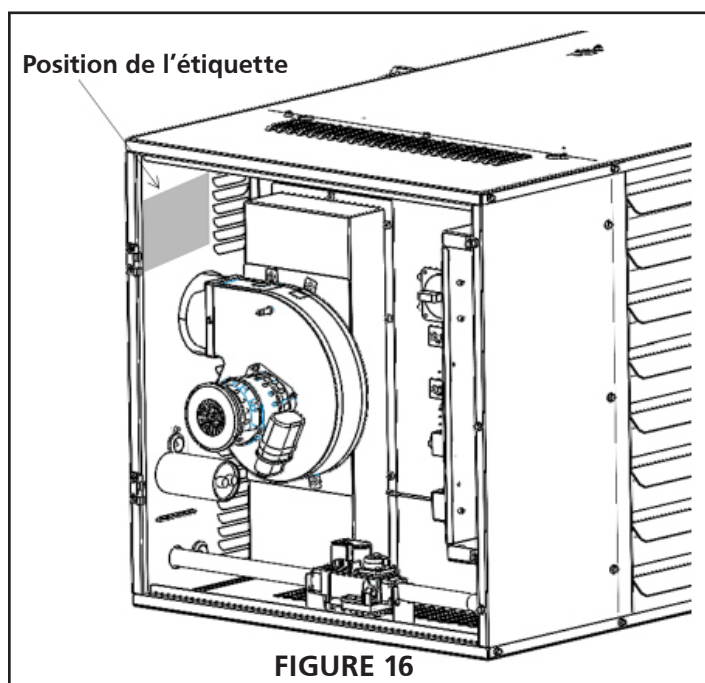


FIGURE 16

Étape 8

Retirez l'étiquette d'information de la trousse et remplissez les renseignements demandés. Placez ensuite cette étiquette sous l'étiquette de classement mise à jour sur l'appareil.

Étape 9

Remettez les panneaux en place et faites fonctionner l'appareil de chauffage en observant tous les avertissements et toutes les mises en gardes et instructions dans le manuel du propriétaire et sur les étiquettes.

GUIDE DE DÉPANNAGE

AVIS : Contourner un interrupteur ne se fait qu'à des fins de test. Ne contournez pas d'interrupteurs pendant le fonctionnement normal sans quoi les mécanismes de sécurité intégrés de l'appareil seront compromis.

Symptôme	Cause possible	Mesure corrective
Le moteur de l'inducteur de tirage ne se met pas en marche	<ol style="list-style-type: none"> 1. Le ventilateur de circulation d'air ne se met pas en marche immédiatement. 2. L'appareil de chauffage ne reçoit pas 120 V AC au raccord électrique principal. 3. 24 V AC ne sont pas présents aux bornes « R » et « C ». 4. 24 V AC ne sont pas présents aux bornes « W » et « C ». 5. Le tableau de commande ne distribue pas 120 V AC au moteur de l'inducteur de tirage. 6. Le rotor de l'inducteur de tirage est obstrué ou coincé. 7. Après avoir vérifié les éléments ci-dessus, le rotor de l'inducteur de tirage n'est pas obstrué ou coincé. 8. Le pressostat est coincé en position fermée. 9. Les deux interrupteurs de flamme et l'interrupteur de limite de température des tubes sont fermés. 10. Les deux interrupteurs de flamme et l'interrupteur de limite de température des tubes ne sont pas fermés. 	<ol style="list-style-type: none"> 1. L'interrupteur de limite est ouvert ou le pressostat est coincé en état fermé. Trouvez l'interrupteur défaillant et réparez-le. 2. Trouvez la source du problème électrique. 3. Vérifiez le transformateur interne. 4. Réparez le thermostat ou le câblage du thermostat. 5. Vérifiez l'alimentation électrique, et, si elle est présente, remplacez le tableau de commande. 6. Retirez l'obstruction. 7. Le moteur de l'inducteur de tirage est défectueux et doit être remplacé. 8. Le pressostat est défectueux. 9. Remplacez le tableau de commande. 10. Réinitialisez ou remplacez l'interrupteur de limite défectueux.
Le voyant de l'indicateur du pressostat ne s'allume pas	<ol style="list-style-type: none"> 1. L'entrée ou la sortie de l'appareil de chauffage est obstruée ou le conduit dépasse les longueurs recommandées. 2. Câblage lâche ou restrictions dans le conduit de raccord du pressostat. 3. Remplacez le pressostat après avoir vérifié : <ul style="list-style-type: none"> • L'appareil de chauffage, le souffleur et la ventilation sont propres et sans obstructions. • La longueur permise pour le conduit est respectée. • Une pression négative est présente dans l'aire d'entrée (p. ex., vents forts, grenier, bâtiment très scellé). 	<ol style="list-style-type: none"> 1. Retirez l'obstruction ou corrigez la longueur du conduit. 2. Remplacez le câblage ou les raccords de conduit. 3. Remplacez le pressostat.
Le tableau de commande ne semble pas envoyer l'étincelle à l'électrode	<ol style="list-style-type: none"> 1. L'électrode semble physiquement endommagée. 2. Le problème ne continue pas en débranchant temporairement le fil d'allumage du tableau de commande. 3. Le problème continue en débranchant temporairement le fil d'allumage du tableau de commande. 	<ol style="list-style-type: none"> 1. Remplacez l'électrode. 2. Remplacez l'électrode. 3. Remplacez le tableau de commande.
La soupape de gaz ne s'ouvre pas	<ol style="list-style-type: none"> 1. La pression d'entrée dans l'appareil de chauffage ne se situe pas dans la plage minimum-maximum permise indiquée sur la plaque signalétique. 2. Les fils à l'aller et au retour de la soupape de gaz sont mal raccordés. 3. La tension aux bornes V1 et V2 sur le tableau de commande pendant l'essai d'allumage ne se situe pas à 24 V AC pendant la séquence d'allumage. 4. La tension aux bornes V1 et V2 sur le tableau de commande pendant l'essai d'allumage se situe à 24 V AC pendant la séquence d'allumage. 	<ol style="list-style-type: none"> 1. Ajustez la pression d'entrée. 2. Corrigez le câblage. 3. Vérifiez les codes de clignotement sur le tableau de commande. Remplacez le tableau de commande. 4. La soupape de gaz est défectueuse. Remplacez la soupape de gaz.
Les brûleurs ne s'allument pas	<ol style="list-style-type: none"> 1. Le conduit principal de la soupape d'approvisionnement en gaz vers l'appareil n'est pas ouvert. 2. La pression d'entrée dans l'appareil de chauffage ne se situe pas dans la plage minimum-maximum permise indiquée sur la plaque signalétique. 3. Les conduits de gaz n'ont pas été vidés d'air. 4. Le type de gaz de l'appareil ne correspond pas au type de gaz d'approvisionnement. 5. La pression au collecteur ne correspond pas aux pressions indiquées sur la plaque signalétique. 6. Vérifiez les codes de clignotement sur le tableau de commande. 	<ol style="list-style-type: none"> 1. Ouvrez le conduit d'approvisionnement en gaz. 2. Ajustez la pression d'entrée. 3. Vidangez les conduits de gaz. 4. Communiquez avec votre représentant ou avec l'usine. 5. Ajustez la pression ou remplacez la soupape de gaz. 6. Adressez-vous à l'usine.

Symptôme	Cause possible	Mesure corrective
Le brûleur ne demeure pas allumé	<ol style="list-style-type: none"> Le brûleur s'allume, mais s'éteint immédiatement (en 1 ou 2 secondes). Le brûleur demeure en marche pendant environ 8 à 10 secondes puis s'éteint. L'appareil de chauffage est incorrectement mis à la terre. La polarité de l'appareil de chauffage est incorrecte. Vérifiez les microampères du circuit du capteur de flamme avec un micro-ampèremètre. Ils sont supérieurs à 0,5 microampère. REMARQUE : L'ampèremètre doit pouvoir être réglé et branché correctement pour lire le courant très bas. Vérifiez les microampères du circuit du capteur de flamme avec un micro-ampèremètre. Ils ne sont pas supérieurs à 0,5 microampère. 	<ol style="list-style-type: none"> Vérifiez la pression d'entrée et les interrupteurs de limite. Vérifiez les codes de clignotement sur le tableau de commande. Adressez-vous à l'usine. Corrigez la mise à la terre ou la polarité. Vérifiez les codes de clignotement sur le tableau de commande. Remplacez le module d'allumage. Remplacez le tableau de commande.
Le ventilateur d'air du moteur ne se met pas en marche environ 30 secondes après l'allumage	<ol style="list-style-type: none"> Le tableau de commande n'envoie pas de tension à 120 V AC au ventilateur de mouvement d'air après environ 30 secondes après l'allumage si la commande de relais contact du ventilateur est fermée. Le tableau de commande n'envoie pas de tension à 120 V AC au ventilateur de mouvement d'air après environ 30 secondes après l'allumage si la commande de relais contact du ventilateur est ouverte et s'il n'y a pas de tension à 24 V AC à la commande de relais du ventilateur. Le tableau de commande n'envoie pas de tension à 120 V AC au ventilateur de mouvement d'air après environ 30 secondes après l'allumage si la commande de relais contact du ventilateur est ouverte et s'il y a une tension à 24 V AC à la commande de relais du ventilateur. Le moteur est sale, obstrué, endommagé ou il nuit à la rotation. Le condensateur du moteur de démarrage est endommagé. 	<ol style="list-style-type: none"> Vérifiez si les fils sont endommagés. Vérifiez si l'interrupteur de démarrage de la circulation est fermé. Remplacez le relais. Nettoyez le ventilateur, retirez l'obstruction ou remplacez les pièces endommagées. Remplacez ou réparez.
L'appareil de chauffage ne reste pas en marche jusqu'à ce que la demande de chaleur se termine.	<ol style="list-style-type: none"> L'appareil de chauffage peut s'éteindre ou rester en marche à cause de : <ul style="list-style-type: none"> Interrupteur de limite ouvert. Pressostat ouvert. Mauvaise mise à la terre. Dispositif de commande défectueux. Vents forts. Prise d'air de combustion dans un grenier. Environnement sale. Pression du gaz en fluctuation. 	

NOMBRE DE CLIGNOTEMENTS	CODES DE DIAGNOSTIC DES VOYANTS DEL
À LA MISE EN MARCHÉ aux 3 secondes	Fonctionnement normal
1 CLIGNOTEMENT	Test autonome
1 CLIGNOTEMENT aux 3 secondes	Problème de circulation d'air
2 CLIGNOTEMENTS aux 3 secondes	Flamme présente – aucune chaleur demandée
3 CLIGNOTEMENTS aux 3 secondes	Verrouillage de l'allumage
4 CLIGNOTEMENTS aux 3 secondes	Défectuosité de la commande

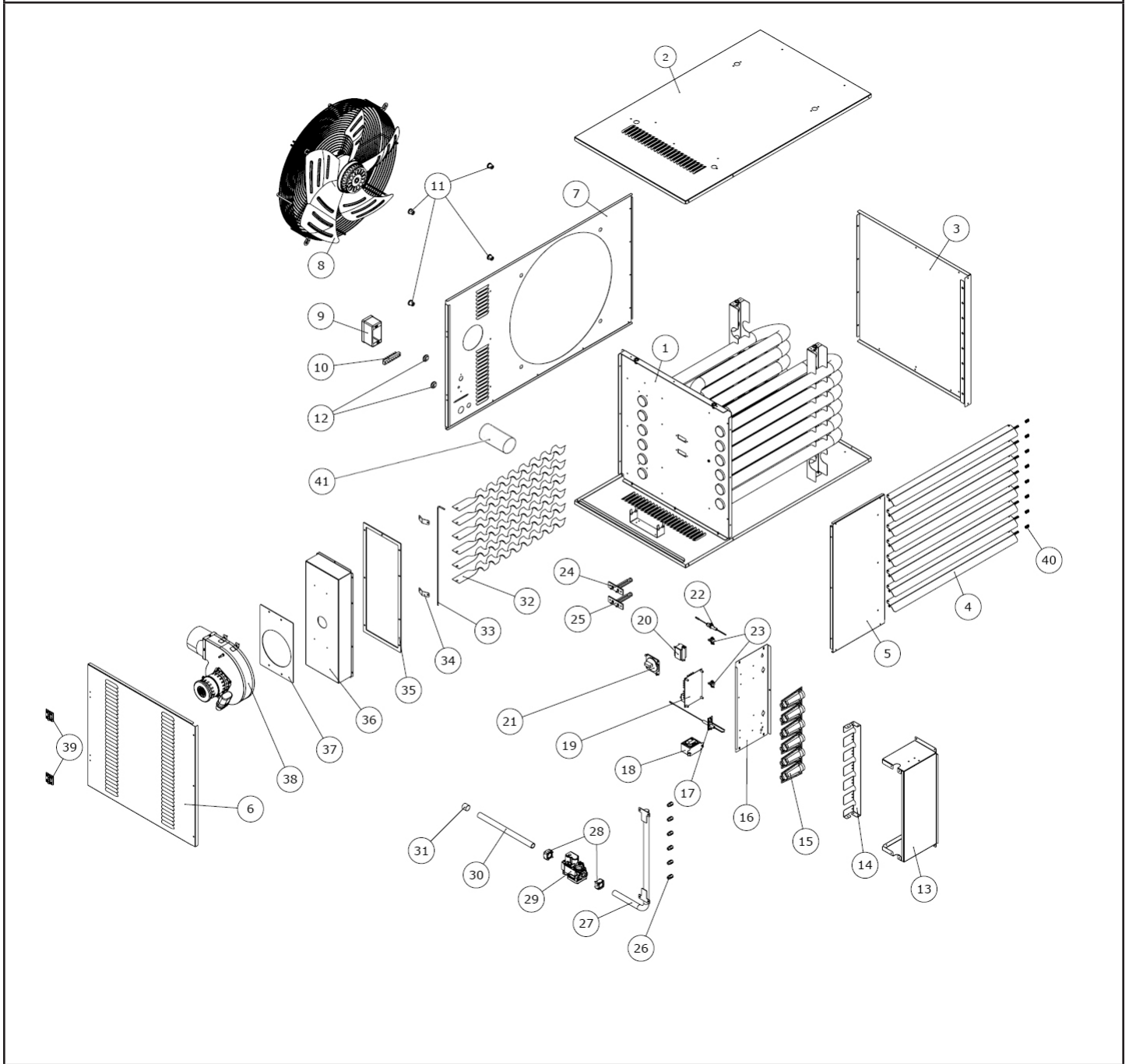
TABLEAU 10 : Codes de diagnostic des voyants DEL

Si vous ne trouvez pas de fuite, c'est que la commande combinée est défectueuse et qu'elle doit être remplacée avant que l'appareil soit remis en service.

LISTE DES PIÈCES

En commandant ces pièces, indiquez le numéro de modèle complet inscrit sur la plaque signalétique de l'appareil.

Heatstar • Appareil de chauffage pour grands locaux Modèles HSU200NG / HSU250NG / HSU300NG/ HSU400NG



Kits de Conversion de Propane Liquide en Gaz Naturel

HSU200NG.....	F260165
HSU250NG.....	F260166
HSU300NG.....	F260167
HSU400NG.....	F260168

Kits de Conversion de Gaz Naturel en Propane Liquide

HSU200NG.....	F260169
HSU250NG.....	F260170
HSU300NG.....	F260171
HSU400NG.....	F260172

LISTE DES PIÈCES

VOYEZ LA PAGE ARRIÈRE POUR PLUS D'INFORMATION SUR LA FAÇON DE COMMANDER LES PIÈCES

RÉF.	Description	200NG	250NG	300NG	400NG
1	ÉCHANGEUR DE CHALEUR	60267	60268	60269	60270
2	PANNEAU LATÉRAL SUPÉRIEUR	60271	60271	60271	60271
3	PANNEAU LATÉRAL 1	60272	60272	60273	60274
4	PERSIENNES	60275	60275	60275	60275
5	PANNEAU LATÉRAL 2	60276	60276	60277	60278
6	PANNEAU DE PORTE	60279	60279	60280	60281
7	PANNEAU ARRIÈRE	60282	60283	60284	60285
8	SOUFFLEUR	60286	60286	60287	60287
9	BOÎTIER DE RACCORD DU CÂBLAGE	S. O.	S. O.	S. O.	S. O.
10	BORNE DU THERMOSTAT	S. O.	S. O.	S. O.	S. O.
11	SUPPORTS ANTI-VIBRATION	S. O.	S. O.	S. O.	S. O.
12	DÉLESTAGE	S. O.	S. O.	S. O.	S. O.
13	BOÎTIER DU BRÛLEUR	S. O.	S. O.	S. O.	S. O.
14	SUPPORT DU BRÛLEUR	S. O.	S. O.	S. O.	S. O.
15	TÊTE DE BRÛLEUR	60288	60288	60288	60288
16	PANNEAU DE SUPPORT DES COMPOSANTS ÉLECTRIQUES	S. O.	S. O.	S. O.	S. O.
17	ÉLECTRODE D'ALLUMAGE	60289	60289	60289	60289
18	TRANSFORMATEUR 120-24	60290	60290	60290	60290
19	TABLEAU DE COMMANDE PCB	60291	60291	60291	60291
20	RELAIS DE VARIATEUR DU SOUFFLEUR	60292	60292	60292	60292
21	PRESSOSTAT	60293	60294	60294	60294
22	ÉLECTRODE DE DÉTECTION	60295	60295	60295	60295
23	INTERRUPTEUR DE GAZ DE SÉCURITÉ POUR RÉINITIALISATION MANUELLE (140 °C)	60296	60296	60296	60296
24	THERMOSTAT DE SÉCURITÉ AUTOMATIQUE (NC 60 °C)	60297	60297	60297	60297
25	THERMOSTAT AUTOMATIQUE DU SOUFFLEUR (NO 35 °C)	60298	60298	60298	60298
26	ORIFICE GAZ NATUREL	60299	60299	60300	60300
27	COLLECTEUR	60301	60302	60303	60304
28	BRIDE 1/2 PO DE SOUPAPE DE GAZ	60305	60305	60305	60305
29	SOUPAPE DE GAZ	60306	60306	60306	60306
30	RACCORD D'ENTRÉE DU CONDUIT DE GAZ 1/2 PO	S. O.	S. O.	S. O.	S. O.
31	PROTECTION DU CONDUIT DE GAZ	S. O.	S. O.	S. O.	S. O.
32	TURBULATEUR	S. O.	S. O.	S. O.	S. O.
33	TIGE DU TURBULATEUR	S. O.	S. O.	S. O.	S. O.
34	BUTOIR DE TIGE	S. O.	S. O.	S. O.	S. O.
35	JOINT DE LA BOÎTE D'ÉVACUATION	60307	60307	60308	60309
36	BOÎTE D'ÉVACUATION	S. O.	S. O.	S. O.	S. O.
37	JOINT DE L'INDUCTEUR	60310	60310	60310	60310
38	INDUCTEUR	60311	60312	60312	60312
39	CHARNIÈRE DE PORTE	60313	60313	60313	60313
40	RESSORT DES PERSIENNES	60314	60314	60314	60314
41	CONDENSATEUR	60340	60340	60341	60341
*	ORIFICE PROPANE LIQUIDE	60315	60315	60316	60316
*	TUYAU SILICONE DU PRESSOSTAT	60317	60317	60317	60317
*	CÂBLAGE ÉLECTRIQUE	60318	60318	60318	60318
*	RACCORD DE LA SOUPAPE DE GAZ	60319	60319	60319	60319

* NON ILLUSTRÉ



MODE D'EMPLOI ET GUIDE DU PROPRIÉTAIRE

MODÈLES N°

HSU200NG	HSU300NG
HSU250NG	HSU400NG

LISEZ CES INSTRUCTIONS ATTENTIVEMENT : VOTRE SÉCURITÉ, ET CELLE DES AUTRES, EST IMPORTANTE.
Lisez et observez toutes les instructions. Placez le mode d'emploi dans un endroit sûr pour pouvoir le consulter plus tard. Ne laissez personne n'ayant pas lu ce mode d'emploi assembler, allumer, ajuster ou faire fonctionner cet appareil.



AVERTISSEMENT :

N'UTILISEZ QUE LES PIÈCES DE RECHANGE DU FABRICANT. L'UTILISATION DE TOUTE AUTRE PIÈCE POURRAIT CAUSER DES BLESSURES OU LA MORT. LES PIÈCES DE RECHANGE NE SONT OFFERTES QUE PAR L'ENTREMISE DE L'USINE DIRECTEMENT ET DOIVENT ÊTRE INSTALLÉES PAR UN TECHNICIEN QUALIFIÉ.

INFORMATION DE COMMANDE POUR LES PIÈCES :

ACHAT : LES ACCESSOIRES PEUVENT ÊTRE ACHETÉS CHEZ TOUT DÉTAILLANT HEATSTAR OU DIRECTEMENT DE L'USINE.

INFORMATION AU SUJET DU SERVICE :

Appelez-nous sans frais au 866 447-2194 • WWW.HEATSTARBYENERCO.COM

Nos heures d'ouverture sont de 8 h à 17 h, HNE, du lundi au vendredi.

Dans toutes vos communications, veuillez mentionner votre numéro de modèle, date d'achat et description du problème.

GARANTIE LIMITÉE :

L'entreprise garantit que ce produit sera libre d'imperfections matérielles ou de main-d'œuvre, dans le cadre d'une utilisation normale et appropriée en conformité avec les instructions fournies par l'entreprise, pour une période de trois ans sur les pièces (limitée) et de dix ans sur l'échangeur de chaleur, à compter de la date de livraison à l'acheteur. L'entreprise, à son choix, réparera ou remplacera les produits retournés par l'acheteur à l'usine, frais de transport payés, au cours de cette période d'un an, si l'entreprise constate que le produit présente des imperfections matérielles ou de main-d'œuvre.

Si une pièce est endommagée ou manquante, communiquez avec notre service du soutien technique au 866 447-2194.

Acheminez toute réclamation sous garantie à Service Department, Heatstar, Inc., 4560 W. 160TH ST., CLEVELAND, OHIO 44135. Incluez votre nom, votre adresse et votre numéro de téléphone, et précisez les détails de votre réclamation. Également, fournissez-nous la date d'achat du produit et le nom et l'adresse du détaillant chez qui vous avez acheté le produit. Ce qui précède constitue l'intégrité de la responsabilité de l'entreprise. Il n'existe aucune autre garantie expresse ou implicite. Plus précisément, il n'existe aucune garantie d'adaptation à un usage particulier ou de qualité marchande. L'entreprise ne sera en aucun cas responsable des retards causés par les imperfections, des dommages consécutifs ou des frais de tout type encourus sans consentement par écrit. Le coût de réparation ou de remplacement constituera le recours exclusif pour toute violation de la garantie. Il n'existe aucune garantie contre ces violations et aucune garantie implicite découlant du commerce ou de l'usage commercial. La garantie ne s'applique pas aux produits qui ont été réparés ou modifiés à l'extérieur de l'usine, de quelque façon que ce soit, qui, selon notre avis, affecte sa condition ou son fonctionnement. Certains États ne permettent pas l'exclusion ou la limitation des dommages accessoires et consécutifs. Ainsi, la limitation ou exclusion ci-dessus pourrait ne pas s'appliquer à vous. Cette garantie vous confère des droits juridiques particuliers et vous pourriez aussi avoir d'autres droits qui peuvent varier d'un État à l'autre.

Heatstar, Inc. se réserve le droit d'apporter des changements, sans préavis ou obligation, aux couleurs, spécifications, accessoires, matériaux ou modèles.

ENREGISTREMENT DU PRODUIT : Merci de votre achat.

Veuillez vous connecter à <http://www.egiregistration.com> pour enregistrer votre produit.

ENERCO GROUP, INC., 4560 W. 160TH ST., CLEVELAND, OHIO 44135 • 1-866-447-2194

Heatstar est une marque déposée de Heatstar, Inc.

© 2022, Heatstar. Tous droits réservés.