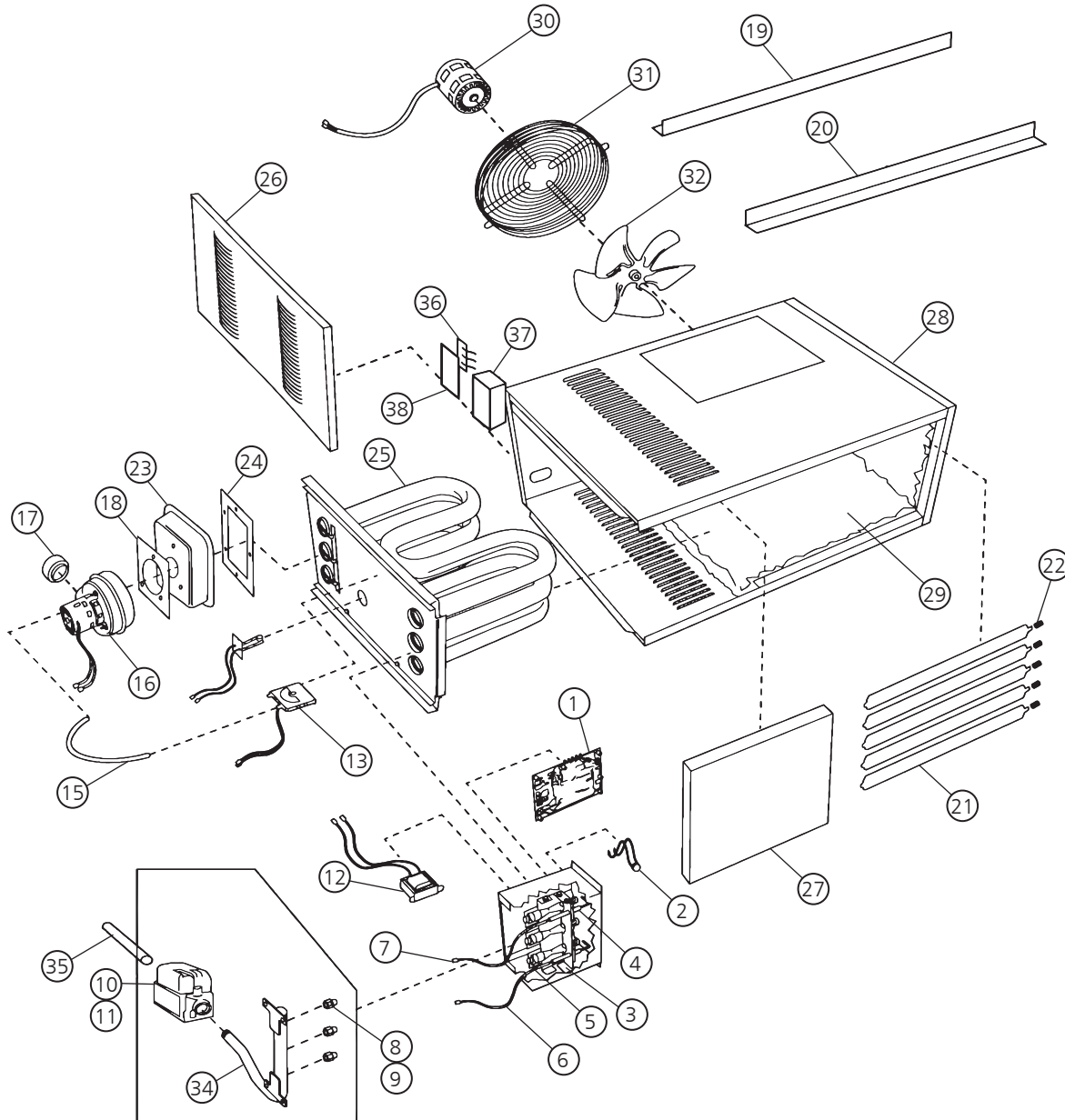


REPAIR PARTS

When ordering parts include the complete unit model number listed on the unit rating plate.

Heatstar • Compact / Utility Heater • Model # HSU50 / HSU80



PARTS LIST

SEE BACK PAGE FOR PARTS ORDERING INFORMATION

REF #	Description	50K	QTY	80K	QTY
1	CIRCUIT BOARD	60261	1	60261	1
2	LIMIT SENSOR	60022	1	60021	1
3	ELECTRODE IGNITER	60139	1	60139	1
4	ELECTRODE SENSOR	60141	1	60141	1
5	BURNER	60155	3	60155	5
6	IGNITION LEAD	60045	1	60045	1
7	SENSOR LEAD	60046	1	60046	1
8	ORIFICE (NAT)	60049	3	60049	5
9	ORIFICE (LP)	60156	3	60156	5
10	GAS VALVE (NAT)	60128	1	60128	1
11	GAS VALVE (LP)	60129	1	60129	1
12	TRANSFORMER	60032	1	60032	1
13	PRESSURE SWITCH	60147	1	60146	1
14	HIGH LIMIT SENSOR HEAT EXCH.	60015	1	60015	1
15	PRESSURE SWITCH TUBE	60031	1	60031	1
16	INDUCED DRAFT MOTOR	60020	1	60020	1
17	VENT ADAPTER	60140	1	60140	1
18	INDUCED DRAFT MOTOR GASKET	60157	1	60157	1
19	BACK BRACKET	60241	1	60241	1
20	FRONT BRACKET	60242	1	60242	1
21	LOUVERS	60243	5	60243	7
22	LOUVER SPRING	60260	5	60260	7
23	FLUE BOX	60189	1	60190	1
24	FLUE BOX GASKET	60090	1	60092	1
25	HEAT EXCHANGER	60065	1	60068	1
26	ACCESS DOOR	60263	1	60264	1
27	FRONT	60245	1	60250	1
28	SIDE DOOR	60246	1	60251	1
29	WRAPPER	60115	3	60117	3
30	FAN MOTOR	60055	1	60054	1
31	FAN GUARD	60120	1	60122	1
32	FAN ASSEMBLY	60125	1	60127	1
32	CAPACITOR STARTER		1	28788	1
34	MANIFOLD	60062	1	60064	1
35	INLET PIPE	60132	1	60132	1
36	THERMOSTAT TERMINAL	60262	1	60262	1
37	WIRING JUNCTION BOX	60247	1	60247	1
38	COVER, JUNCTION BOX	60248	1	60248	1
39	GAS VALVE BRACKET	60158	1	60158	1

Optional Installation Components

24V THERMOSTAT	F210359
4" VERTICAL VENT KIT (50/80/125)	F102848
4" HORIZONTAL STAINLESS STEEL VENT KIT (50/80/125)	F102860

Gas Conversion Kits

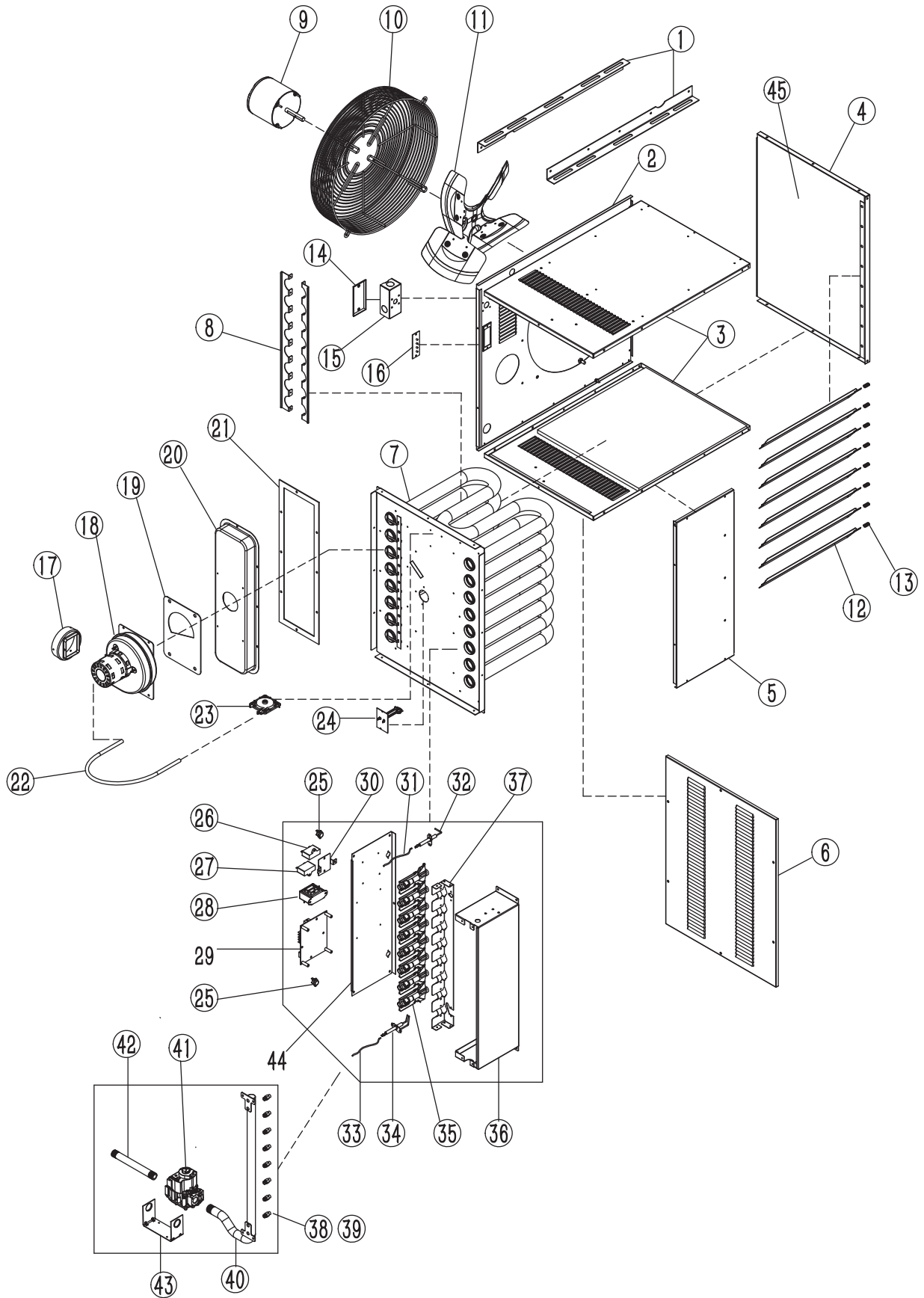
Natural Gas to Liquid Propane

HSU 50/80/125	F260163
---------------------	---------

Liquid Propane to Natural Gas

HSU 50/80/125	F260164
---------------------	---------

Heatstar • Compact / Utility Heater • Model # HSU125



SEE BACK PAGE FOR PARTS ORDERING INFORMATION

REF #	Description	125K	QTY
1	BRACKET	60252	2
2	MOUNTING PANEL-MOTOR	60253	1
3	MOUNTING PANEL-FRONT AND BACK	60254	2
4	MOUNTING PANEL-BOTTOM	60255	1
5	MOUNTING PANEL-SIDE	60256	1
6	MOUNTING PANEL-TOP	60265	1
7	HEAT EXCHANGER	60206	1
8	BRACKET-HEAT EXCHANGE	60207	2
9	FAN MOTOR	60208	1
10	FAN GUARD	60209	1
11	FAN ASSEMBLY	60210	1
12	LOUVERS	60258	8
13	LOUVERS SPRING	60260	8
14	COVER-WIRING JUNCTION BOX	60248	1
15	WIRING JUNCTION BOX	60247	1
16	THERMOSTAT TERMINAL	60262	1
17	VENT ADAPTER	60213	1
18	INDUCED DRAFT MOTOR	60214	1
19	INDUCED DRAFT MOTOR GASKET	60215	1
20	FLUE BOX	60216	1
21	FLUE BOX GASKET	60217	1
22	PRESSURE SWITCH TUBE	60031	1
23	PRESSURE SWITCH	60147	1
24	HI LIMIT SENSOR HEAT EXCH	60015	1
25	LIMIT SENSOR	60022	2
26	CAP-FAN MOTOR	28735	1
27	CAP-INDUCED DRAFT MOTOR	28788	1
28	TRANSFORMER	60032	1
29	CIRCUIT BOARD	60261	1
30	BRACKET-CAP	60223	1
31	SENSOR LEAD	60046	1
32	ELECTRODE SENSOR	60141	1
33	IGNITER LEAD	60224	1
34	ELECTRODE IGNITER	60139	1
35	BURNER	60155	8
36	BURNER BOX	60225	1
37	BRACKET BURNER	60226	1
38	ORIFICE(NAT)	60229	8
39	ORIFICE(LP)	60230	8
40	MANIFOLD	60227	1
41	GAS VALVE(NAT)	60128	1
42	INLET PIPE	60132	1
43	GAS VALVE BRACKET	60158	1
***	BOTTOM INSULATION	60220	1
***	FRONT / BACK INSULATION	60231	2
***	HEAT EXCHANGER INSULATION	60218	1

*** NOT SHOWN IN FIGURE