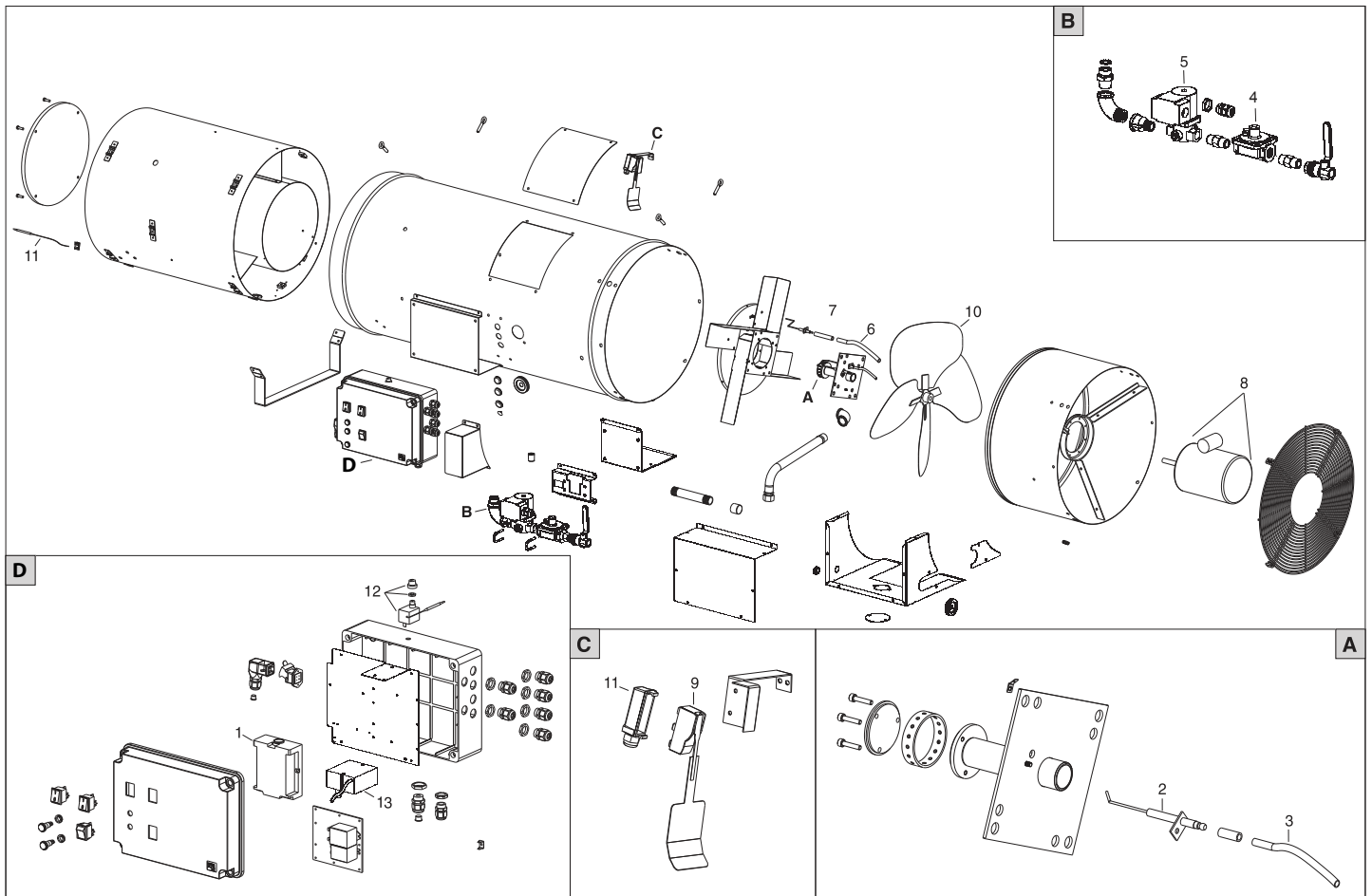


# PARTS LIST AND DIAGRAM

Model 250AG

#	P/N	PART DESCRIPTION	QTY	#	P/N	PART DESCRIPTION	QTY
1	50330	Control board	2	8	50743	Motor	1
2	50735	Electrode	1	9	50746	Pressure switch	
3	50736	Electrode Cable	1	10	50747	Propeller	
4	50738	Gas regulator	1	11	50749	Protection press. Switch	
5	50740	Gas Train	1	12	50349	Thermostat	
6	50741	Ioniz. Cable	1	13	50329	Transformer	
7	50742	Ioniz. Probe	1				



# PARTS LIST AND DIAGRAM

Model 400AG & 408AG

#	P/N	PART DESCRIPTION	QTY	#	P/N	PART DESCRIPTION	QTY
1	50330	Control board	2	8	50745	Motor	
2	50735	Electrode	1	9	50746	Pressure switch	
3	50736	Electrode Cable	1	10	50748	Propeller	
4	50737	Gas regulator	1	11	50749	Protection press. Switch	
5	50739	Gas Train	1	12	50349	Thermostat	
6	50741	Ioniz. Cable	1	13	50329	Transformer	
7	50742	Ioniz. Probe	1	*13	50750	Transf. 220/110 **(only for model 408AG)**	
8	50744	Motor					

