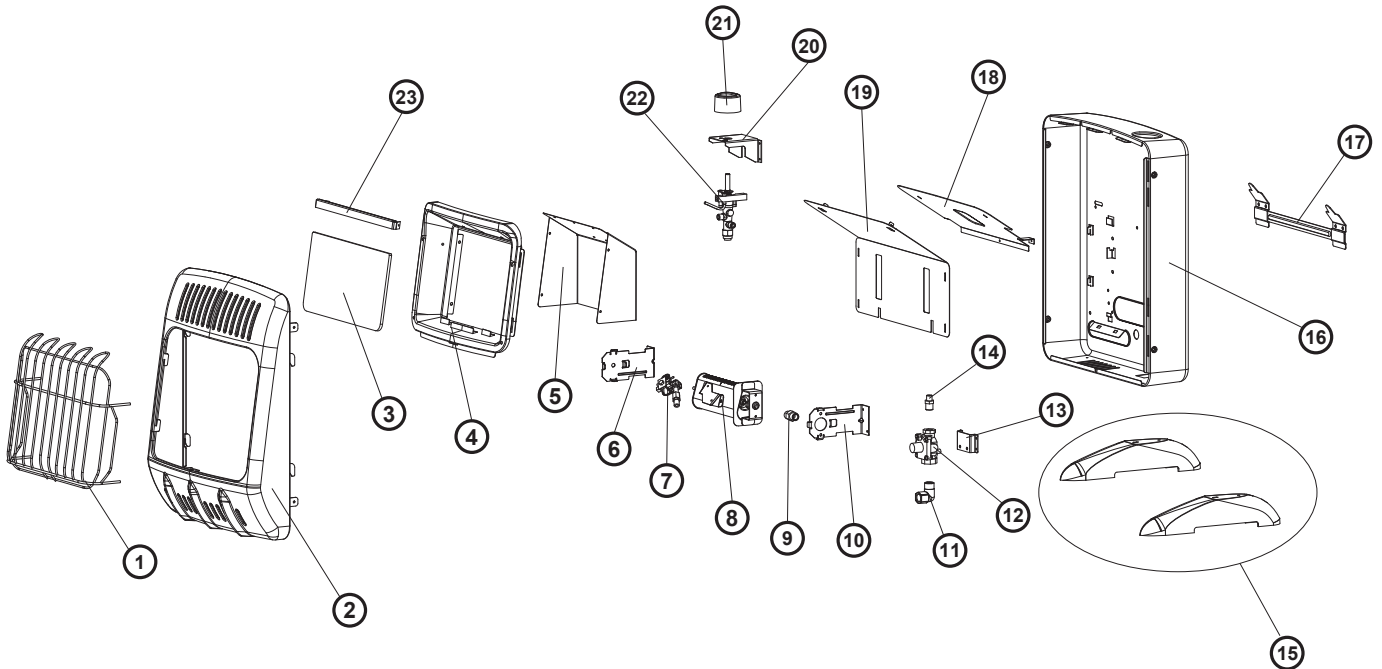


PARTS LIST AND DIAGRAM

MODEL: HSFBF10 LP							
ITEM	P/N	PART DESCRIPTION	QTY	ITEM	P/N	PART DESCRIPTION	QTY
1	80040	Wire Guard	1	13	N/A	Regulator Mounting Bracket	1
2	80051	Front Panel	1	14	N/A	Regulator Connection	1
3	80038	Glass	1	15	80058	Floor Mounting Feet	1
4	80024	Reflector	1	16	80052	Back Panel	1
5	80026	Reflector Back Panel	1	17	80036	Wall Mounting Bracket	1
6	N/A	Burner Left Bracket	1	18	N/A	Heat Shield	1
7	N/A	ODS Pilot Assembly w/ Thermocouple (LP)	1	19	N/A	Back Heat Shield	1
8	80017	Burner Assembly	1	20	80005	Valve Bracket	1
9	80009	Orifice	1	21	80006	Knob	1
10	N/A	Burner Right Bracket	1	22	80080	Valve	1
11	80016	Elbow Adapter(90° Regulator Connection)	1	23	80034	Glass Bracket	1
12	80078	Regulator	1	**	70342	Hardware Kit (not shown)	1

⚠ WARNING: Failure to position the parts in accordance with these diagrams or failure to use only parts specifically approved with this heater may result in property damage or personal injury.



PARTS LIST AND DIAGRAM

MODEL: HSVFRD10 LP							
ITEM	P/N	PART DESCRIPTION	QTY	ITEM	P/N	PART DESCRIPTION	QTY
1	80040	Wire Guard	1	11	N/A	Regulator Connection	1
2	80051	Front Panel	1	12	80058	Floor Mounting Feet	1
3	80024	Reflector	1	13	80052	Back Panel	1
4	80030	Burner Assembly	1	14	80036	Wall Mounting Bracket	1
5	80056	ODS Pilot Assembly w/ Thermocouple (LP)	1	15	N/A	Heat Shield	1
6	N/A	ODS Bottom Bracket	1	16	N/A	Back Heat Shield	1
7	N/A	Fireproof Plate	1	17	80005	Valve Bracket	1
8	70597	3/8" FTP x 3/8" MPT Elbow	1	18	80006	Knob	1
9	80078	Regulator	1	19	80080	Valve	1
10	N/A	Regulator Mounting Bracket	1	**	70342	Hardware Kit (not shown)	1

WARNING: Failure to position the parts in accordance with these diagrams or failure to use only parts specifically approved with this heater may result in property damage or personal injury.

