



## OPERATING INSTRUCTIONS AND OWNER'S MANUAL

Model #

MH400PT  
MH500LPT

**READ INSTRUCTIONS CAREFULLY:**

### **READ AND FOLLOW ALL INSTRUCTIONS**

Place instructions in a safe place for future reference. Do not allow anyone who has not read these instructions to assemble, light, adjust or operate this tool. **DO NOT** use this device in areas where gasoline or other liquids having flammable vapors are stored or used.

**SAVE THESE INSTRUCTIONS**



Model: **MH400PT**



Model: **MH500LPT**

# Propane Torch

Model #MH500LPT & MH400PT

## CAUTION:

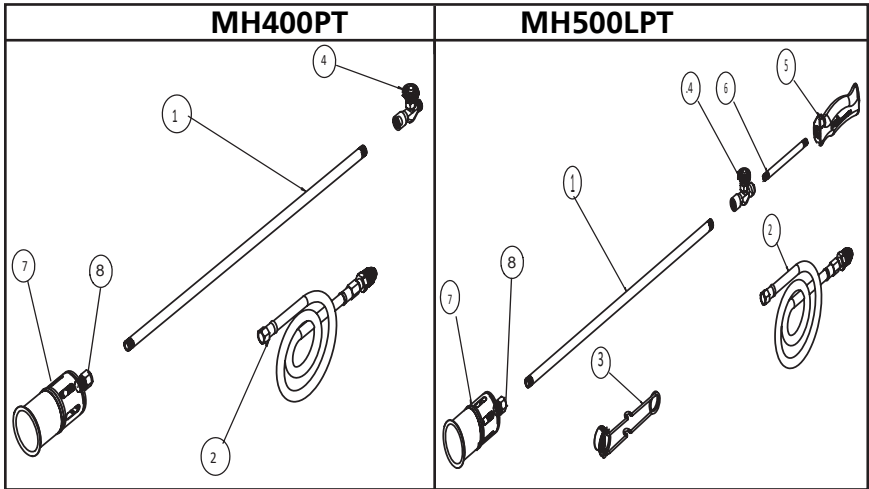
- ⚠ This device is intended for outdoor use only.
- ⚠ **NEVER** direct torch flame toward hose or gas tank.
- ⚠ **DO NOT** leave torch unattended while in operation.
- ⚠ **DO NOT** stand or prop the torch on the burner end while in operation.
- ⚠ **Always** ignite flame safely without exposing body, clothing or anything combustible to ignited torch.  
MH500LPT - Always ignite using striker provided with torch.  
MH400PT - Ignite using a fireplace match or extended flame lighter..
- ⚠ **DO NOT** apply heat or flame to tank to check for leaks or to increase gas pressure.
- ⚠ **DO NOT** lift tank by the valve.
- ⚠ When not in use the gas should be turned off at the LP gas tank(s).
- ⚠ **CAUTION** – In daylight, torch flame is barely visible.
- ⚠ **DO NOT** place hand or body part in the path of the flame while lighting or operating torch.
- ⚠ This device is designed for vapor withdrawal from an LP gas tank(s) ONLY.

## NOTE:

- ⚠ Place tank on level surface in an upright position.  
Do not invert or lay tank on its side.
  - ⚠ Gloves should be worn at all times when operating this device. Long sleeves, long pants, and boots are recommended.
  - ⚠ Have an ABC type fire extinguisher readily accessible to the job site.
- Hidden areas such as behind walls, ceilings, floors, soffit boards and other panels may contain flammable materials that could be ignited by the heat gun when working in these locations. The ignition of these materials may not be readily apparent and could result in property damage and injury to persons. When working in these locations, keep the torch moving in a back-and-forth motion. Lingering or pausing in one spot could ignite the panel or the material behind it.
  - Do not use this torch to remove paint

## THE STATE OF CALIFORNIA REQUIRES THE FOLLOWING WARNING:

**WARNING:** Combustion by-products produced when using this product contain carbon monoxide, a chemical known to the State of California to cause cancer and birth defects (or other reproductive harm).  
This product contains chemicals known to the State of California to cause cancer and birth defects or other reproductive harm.



| ITEM | DESCRIPTION      | PART NUMBER |          |
|------|------------------|-------------|----------|
|      |                  | MH400PT     | MH500LPT |
| 1    | Handle Assembly  | 72676       | 72676    |
| 2    | Hose Assembly    | 72602M      | 72602M   |
| 3    | Striker          | NA          | 72603.   |
| 4    | Valve (only)     | 72607       | 72650    |
| 5    | Handle (Plastic) | NA          | 72662    |
| 6    | Handle Tube      | NA          | 72663    |
| 7    | Handle Head      | 72652       | 72652    |
| 8    | Burner Orifice   | 72656       | 72667    |

When ordering repair parts, always furnish the following information:

- 1) Model Number
- 2) Part Number
- 3) Part Description

## CAUTION:

⚠ Use only **genuine** Mr. Heater replacement parts. **Never** substitute parts. Do not use modified parts. When ordering replacement parts, use the part number located in these instructions.

## OPERATING CHARACTERISTICS

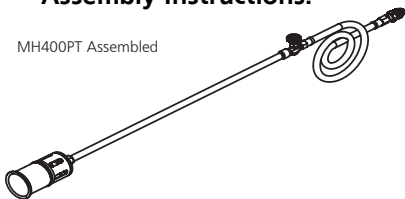
| Model    | BTU/Hour | Operating Temperature Range | Inlet Pressure Range |
|----------|----------|-----------------------------|----------------------|
| MH500LPT | 500,000* | -10° F to 80° F             | 17 psi to 170 psi    |
| MH400PT  | 400,000* | -10° F to 80° F             | 17 psi to 170 psi    |

\* Tank size and tank temperature can directly affect BTU output

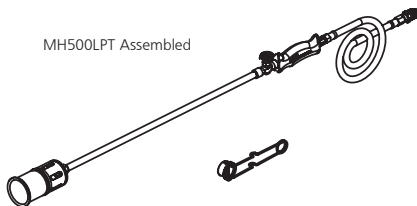
## READ ALL INSTRUCTIONS

### Assembly Instructions:

MH400PT Assembled



MH500LPT Assembled



- 1) Unpack all the components and inspect for any damage. If any damage is discovered contact the delivery service or Mr. Heater immediately.
- 2) Connect the hose assembly to the handle assembly and tighten **counterclockwise**.

**NOTE:** This is a left-handed thread connection.

### Connection to the Supply Tank:

**NOTE:** The Propane gas tank used with this device should be a vapor withdrawal type with no less than a 20 lb. capacity. It should also meet or exceed NFPA 58 "Standard for the Storage and Handling of Liquefied Petroleum Gases".

- 1) Inspect the nut/nipple (excess shut-off valve) connection of the hose assembly. Check for any dents or damage. The o-ring must be present. If damage is found or the o-ring is missing call Mr. Heater for the proper replacement parts.
- 2) Connect the excess shut-off valve end of the hose assembly to the shut-off valve of a LP gas tank and tighten **counterclockwise**.

**NOTE:** If your LP gas tank does not have a shut-off valve, exchange the tank for one with a shut-off valve.

### ⚠ CAUTION:

This device is designed for vapor withdrawal from an LP gas tank(s) ONLY. Use of any other gas may result in device failure or personal injury.

## FOR YOUR SAFETY! IF YOU SMELL GAS:

- Shut off gas to the device.
- **DO NOT** try to light appliance.
- Extinguish any open flame.
- Check the device for leaks using soapy water.
- **DO NOT** attempt to relight the device until all leaks are repaired and there is no gas smell.

### Leak Test:

- 1) Close torch adjusting valve (turn fully clockwise).
- 2) Slowly open the supply tank shut-off valve.
- 3) Test all connections for possible gas leaks using leak test solution.
  - A. Spray hose connections with a soapy solution. Bubbles around the fitting shows a leak.
- 4) If a leak occurs at:
  - Torch-adjusting valve stem
    - Tighten stem packing nut **clockwise**
    - Slowly open supply tank shut-off valve and retest connection. Repeat if necessary
    - If leak cannot be stopped by tightening the stem packing nut a new valve assembly may be required. Contact Mr. Heater for the proper replacement parts.
  - Supply tank shut-off valve
    - Close supply tank shut-off valve and retighten connection **counterclockwise**. Slowly open supply tank shut-off valve and restart connection. Repeat if necessary.

## CAUTION:

- ⚠ **DO NOT** operate if any leaks are present. A leak may create a fire hazard.
- ⚠ **DO NOT** smoke around or expose supply tank(s) to open flames or sparks.
- ⚠ **DO NOT** apply heat or flame to tank to check for leaks. Excess heat may cause the supply tank to rupture, possibly causing personal injury.

### Lighting and Operating Instructions:

**NOTE:** The hose assembly is supplied with an excess flow control valve. Opening the supply tank shut-off valve rapidly can cause the valve to close. If the excess flow pressure valve closes, close the supply tank shut-off valve. Open torch adjusting valve to release any residual gas left in the hose. Close torch-adjusting valve and wait 30 seconds. Slowly open tank shut-off valve.

- 1) Make sure torch adjusting valve is closed.
- 2) Open supply tank shut-off valve.
- 3) With torch nozzle pointed away from any flammable material, open torch adjusting valve 1/8<sup>th</sup> of a turn or until you can hear gas escaping.
- 4) MH500LPT - Ignite using supplied igniter.  
MH400PT - Ignite using fireplace match or extended flame lighter.
- 5) Use the torch-adjusting valve to control the size and heat of flame.

**USE:** When using tool, do not direct flame directly into wind.

Do not allow barrel to come closer than 6" to the surface being heated.

Failure to do either of these things could cause flame outage.

## CAUTION:

- ⚠ **DO NOT** smoke around or expose supply tank(s) to open flame or sparks.
- ⚠ MH500LPT - Always ignite using striker provided with torch.
- ⚠ MH400PT - Ignite using a fireplace match or extended flame lighter.
- ⚠ **DO NOT** place hand or any body part in the path of the flame while lighting or operating torch. This can result in personal injury.
- ⚠ **DO NOT** use this torch to heat, mold or bend plastic sheets, moulding or tubing.

## Shut-Off Instructions:

- 1) Close torch adjusting valve.
- 2) Close supply tank shut-off valve.
- 3) Open the torch-adjusting valve briefly to release any residual gas pressure left in the hose.

## CAUTION:

- ⚠ **DO NOT** smoke around or expose supply tank(s) to open flames or sparks.
- ⚠ Torch end of handle assembly will increase in temperature immediately after shutting off.

## Maintenance:

### Prior to each use:

- 1) Visually inspect all components of the device for damage and or wear. If the hose shows excessive abrasion wear, or the hose is cut, it must be replaced prior to operation. If damage is found, contact Mr. Heater for the proper replacement parts.
- 2) Visually inspect LP gas tank(s) for dents, damage to collar, damage to shut-off valve or corroded foot ring. If any of these are present the LP gas tank(s) must be replaced prior to operation.
- 3) Perform a leak test according to the leak test procedure described on page 5.
- 4) Ignite torch according to the lighting instructions described on page 5. Check operation of the adjusting valve and the other components prior to proceeding.

### Periodically:

- 1) Remove any debris or combustible material from the torch. The torch must be kept clear and free from combustible materials.
- 2) The surface of the device should be cleaned with soap and water. Do not use petroleum-based or flammable cleaner on any part of the device.

## Disconnecting the Supply Tank:

- 1) Make sure supply tank valve is shut off.
- 2) Open torch adjusting valve briefly to release any residual gas pressure left in the hose. Close adjusting valve when complete.
- 3) Disconnect the P.O.L. nut/nipple located at the end of the hose assembly from the supply tank(s).
- 4) Replace the protective plastic cap and plug to the hose end and supply tank(s) respectively.

## CAUTION:

⚠ **DO NOT** smoke around or expose supply tank(s) to open flames or sparks.

### Storage:

Never store a torch that is still hot. When the torch is stored indoors, the connection between the LP gas tank(s) and the device must be disconnected and the tank(s) removed from the device and stored outdoors in accordance with Chapter 5 of the “Standard for the Storage and Handling of Liquefied Petroleum Gases” ANSI/NFPA 58.

## CAUTION:

- ⚠ **DO NOT** smoke around or expose supply tank(s) to open flame or sparks.
- ⚠ The hose assembly shall be protected from traffic, crushing, and hot surfaces. This may cause premature wear of the hose.
- ⚠ **DO NOT** lift tank by the valve. Lifting the tank by the valve may result in damage to the valve.

### NOTE:

Storage temperature shall not exceed 120 F (49 C).  
Place tank on level surface in an upright position. Do not invert or lay tank on its side.

### Safety Information:

Safety publications related to safe practice and use:

ANSI/UL 147 “Hand Held Torches for Fuel Gasses”

ANSI Z49.1 “Safety in Welding and Cutting”

NFPA 54 “National Fuel Gas Code”

NFPA 58 “Standard for the Storage and Handling of Liquefied Petroleum Gases”

CGA 2.29 “Hand Held Torches for Fuel Gasses”



# OPERATING INSTRUCTIONS AND OWNER'S MANUAL

Model #

MH400PT  
MH500LPT

## WARNING:

USE ONLY MANUFACTURER'S REPLACEMENT PARTS. USE OF ANY OTHER PARTS COULD CAUSE INJURY OR DEATH. REPLACEMENT PARTS ARE ONLY AVAILABLE DIRECT FROM THE FACTORY AND MUST BE INSTALLED BY A QUALIFIED SERVICE AGENCY.

## PARTS ORDERING INFORMATION:

**PURCHASING:** Accessories may be purchased at any Mr. Heater local dealer or direct from the factory

### FOR INFORMATION REGARDING SERVICE

Please call Toll-Free 800-251-0001  
[www.mrheater.com](http://www.mrheater.com)

Our office hours are 8:00 AM – 5:00 PM, EST, Monday through Friday.

Please include the model number, date of purchase, and description of problem in all communication.

### LIMITED WARRANTY

Mr. Heater Corp. warrants its Propane Torch to be free from defects in material and workmanship for a period of 90 days from date of purchase. Mr. Heater will repair or replace this product free of charge if it has been proven to be defective within the 90 day period, and is returned at customer expense with proof of purchase to Mr. Heater within the warranty period. This warranty gives you specific legal rights, and you may also have other rights which vary from state to state.

Mr. Heater Inc. reserves the right to make changes at any time, without notice or obligation, in colors, specifications, accessories, materials and models.

**PRODUCT REGISTRATION:** Thank you for your purchase.  
Please log in to <http://www.egiregistration.com> to register your product.

MR. HEATER, INC., 4560 W. 160TH ST., CLEVELAND, OHIO 44135 • 800-251-0001  
Mr. Heater is a registered trademarks of Enerco Group, Inc.  
© 2017, Enerco Group, Inc. All rights reserved



ANSI/UL 147-2009 CGA 2.29-1997





## GUIDE D'UTILISATION ET MANUEL DU PROPRIÉTAIRE

Modèle #

MH400PT  
MH500LPT

### LIRE ATTENTIVEMENT LES INSTRUCTIONS : LIRE ET SUIVRE TOUTES LES INSTRUCTIONS

Conservez ces instructions dans un endroit sûr pour vous y référer ultérieurement. Interdisez à quiconque n'ayant pas lu les présentes instructions d'assembler, d'allumer, de régler ou de faire fonctionner cet outil. **N'UTILISEZ PAS** cet appareil dans des lieux d'entreposage ou d'utilisation d'essence ou d'autres liquides inflammables.

### SAUVEGARDEZ CES INSTRUCTIONS



Model: **MH400PT**



Model: **MH500LPT**

# Chalumeau propane

Modèle # : MH500LPT & MH400PT

## ATTENTION :

- ⚠ Cet appareil est conçu uniquement pour être utilisé à l'extérieur.
- ⚠ **NE DIRIGEZ JAMAIS** la flamme du chalumeau sur le tuyau ou la bonbonne de gaz.
- ⚠ **NE LAISSEZ JAMAIS** le chalumeau sans surveillance lorsqu'il est allumé.
- ⚠ **NE LAISSEZ PAS** le brûleur du chalumeau à la verticale ou appuyé contre un objet lorsqu'il est allumé.
- ⚠ Toujours allumer le brûleur en toute sécurité, sans exposer combustible du corps, des vêtements ou quoi que ce soit à allumage de la torche.  
MH500LPT - Allumez toujours en utilisant attaquant fourni avec la torche.  
MH400PT - Ignite aide d'une allumette ou d'une flamme longue cheminée léger.
- ⚠ **NE SOUMETTEZ PAS** la bonbonne à de fortes chaleurs ou à une flamme pour vérifier la présence éventuelle de fuites ou pour accroître la pression du gaz.
- ⚠ **NE SOULEVEZ PAS** la bonbonne par la valve.
- ⚠ La bonbonne doit être fermée lorsque l'appareil de chauffage ne fonctionne pas.
- ⚠ **ATTENTION** – La flamme du chalumeau est à peine visible en plein jour.
- ⚠ **PRENEZ GARDE DE NE PAS** placer votre main ou une quelconque partie de votre corps à proximité de la flamme lorsque vous allumez ou utilisez le chalumeau.
- ⚠ Ce dispositif est conçu pour fonctionner **UNIQUEMENT** avec des bonbonnes de propane à élimination des émanations.

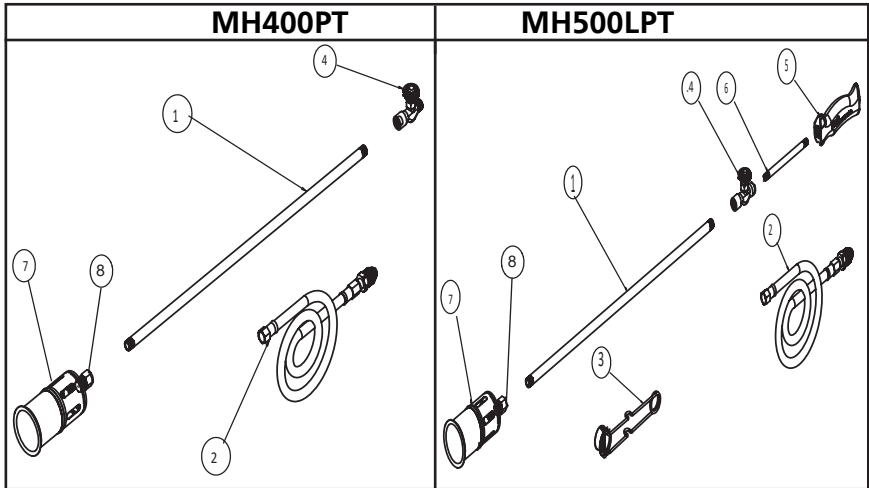
## REMARQUE :

- ⚠ Placez la bonbonne à la verticale sur une surface plane. Ne mettez pas la bonbonne à l'envers ou sur le côté.
  - ⚠ Le port de gants est indispensable lors de l'utilisation de cet appareil. Il est également recommandé de porter des pantalons, des bottes et des vêtements à manches longues.
  - ⚠ Un extincteur de type ABC doit être accessible sur le lieu d'utilisation du chalumeau.
- Zones cachées telles que les derrière les murs, les plafonds, les planchers, les planches d'intrados et d'autres panneaux peuvent contenir matériaux inflammables qui peut être allumées par le pistolet thermique lorsque l'on travaille dans ces emplacements. L'allumage de ces matériaux peut ne pas être facilement apparents et pourrait aboutir à la propriété des dommages et des blessures. Lorsque vous travaillez dans ces emplacements, maintenir la torche se déplaçant dans un arrière et-vient. Attardant ou la pause dans une tache pourrait enflammer le panneau ou le matériau derrière il.
  - Ne pas utiliser cette torche pour enlever la peinture

## L'ÉTAT DE LA CALIFORNIE EXIGE QUE L'AVERTISSEMENT SUIVANT SOIT FOURNI :

**AVERTISSEMENT :** Les sous-produits de combustion émis lors de l'utilisation de cet appareil contiennent du monoxyde de carbone, un produit chimique reconnu par l'état de Californie comme pouvant causer le cancer et des malformations congénitales (ou autres dommages au système reproducteur).

Cet appareil contient des produits chimiques reconnus par l'état de Californie comme pouvant causer le cancer et des malformations congénitales ou autres dommages au système reproducteur.



| ARTICLE | DESCRIPTION           | # DE PIÈCE |          |
|---------|-----------------------|------------|----------|
|         |                       | MH400PT    | MH500LPT |
| 1       | Manche                | 72676      | 72676    |
| 2       | Tuyau                 | 72602M     | 72602M   |
| 3       | Dispositif d'allumage | NA         | 72603.   |
| 4       | Valve (seulement)     | 72607      | 72650    |
| 5       | Poignée, plastique    | NA         | 72662    |
| 6       | Tube de poignée       | NA         | 72663    |
| 7       | Tete de bruleur       | 72652      | 72652    |
| 8       | Brûleur d'Orifice     | 72656      | 72667    |

Il est important de fournir les informations suivantes :

- 1) Numéro de modèle
- 2) Numéro de pièce
- 3) Descriptif de la pièce

## ATTENTION :

⚠ Utilisez uniquement **des pièces de rechange** Mr. Heater. **Ne remplacez jamais** les pièces par d'autres pièces non homologuées. N'utilisez pas de pièces modifiées. Lorsque vous commandez des pièces de rechange, utilisez le numéro figurant sur ces instructions.

## CARACTÉRISTIQUES

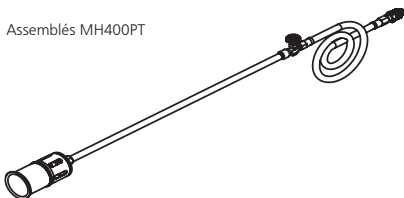
| Modèle              | BTU                  | Température de fonctionnement       | Pression d'admission                        |
|---------------------|----------------------|-------------------------------------|---|
| MH500LPT<br>MH400PT | 500 000*<br>400,000* | -23 °C à 27 °C<br>(-10 °F to 80 °F) | 117.2 kPa à 1 172 kPa<br>(17 psi à 170 psi) |

\* La taille de la bonbonne et sa température peuvent affecter directement le BTU

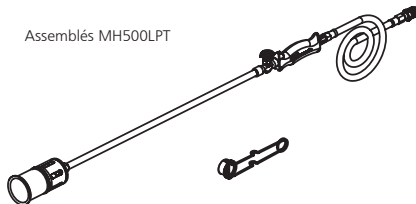
## LISEZ TOUTES LES INSTRUCTIONS

### Instructions de montage :

Assemblés MH400PT



Assemblés MH500LPT



- 1) Déballiez tous les composants et vérifiez qu'ils ne sont pas endommagés. Si le produit est endommagé, contactez immédiatement le service de livraison ou Mr. Heater.
- 2) Fixez le tuyau au manche en le vissant **dans le sens inverse des aiguilles d'une montre**.

**REMARQUE :** Ceci est un filetage inversé.

#### Branchement à la bonbonne :

**REMARQUE :** La bonbonne utilisée avec cet appareil doit avoir une capacité de 20 livres minimum. Elle doit également respecter la norme NFPA 58 relative à l'entreposage et à la manutention des gaz liquéfiés.

- 1) Inspectez la connexion mamelon-écrou (valve limitant le débit) du tuyau. Vérifiez qu'elle n'est pas endommagée. Vérifiez la présence du joint torique. Si la connexion est endommagée ou qu'il n'y a pas de joint torique, veuillez communiquer avec Mr. Heater pour obtenir les pièces de rechange qui conviennent.
- 2) Connectez la partie du tuyau comportant la valve limitant le débit à la valve de fermeture d'une bonbonne de propane et vissez-la **dans le sens inverse des aiguilles d'une montre**.

**REMARQUE :** Si votre bonbonne ne comporte pas de valve de fermeture, veuillez changer de bonbonne.

### ⚠ ATTENTION :

Ce dispositif est conçu pour fonctionner **UNIQUEMENT** avec des bonbonnes de propane à élimination des émanations. L'utilisation de tout autre gaz peut entraîner le mauvais fonctionnement de l'appareil et même des blessures.

## POUR VOTRE SÉCURITÉ ! SI VOUS PERCEVEZ UNE ODEUR DE GAZ :

- Fermez l'arrivée de gaz de l'appareil.
- **NE TENTEZ PAS** d'allumer l'appareil.
- Éteignez toute flamme nue.
- Utilisez de l'eau savonneuse pour vérifier que l'appareil ne fuit pas.
- **N'ESSAYEZ PAS** de rallumer l'appareil jusqu'à ce que toutes les fuites soient réparées et qu'il n'y ait plus d'odeur de gaz.

### Test de détection des fuites :

- 1) Fermez la valve de réglage du chalumeau.
- 2) Ouvrez lentement la valve de la bonbonne.
- 3) Utilisez la solution de test pour vérifier toutes les connexions afin de détecter d'éventuelles fuites de gaz.
  - a. Les flexibles de pulvérisation connexions avec une solution savonneuse. Bulles autour du raccord indique une fuite.
- 4) Si une fuite se produit au niveau :
  - De la valve de réglage du chalumeau
    - Serrez l'écrou **dans le sens des aiguilles d'une montre**
    - Ouvrez lentement la valve de la bonbonne et testez à nouveau la connexion. Recommencez si nécessaire
    - Si la fuite n'est pas éliminée en serrant l'écrou du manche, il est possible que vous ayez besoin d'un nouveau valve. Communiquez avec Mr. Heater pour obtenir les pièces de rechange qui conviennent.
  - De la valve de fermeture de la bonbonne
    - Fermez la valve et resserrez la connexion **dans le sens inverse des aiguilles d'une montre**.
    - Ouvrez doucement la valve de la bonbonne et rétablissez la connexion. Recommencez si nécessaire.

### ATTENTION :

- ⚠ **N'UTILISEZ PAS** l'appareil en cas de fuites. Une fuite peut entraîner un risque d'incendie.
- ⚠ **NE FUMEZ PAS** à proximité de la bonbonne et ne l'exposez pas à des flammes nues ou des étincelles.
- ⚠ **NE SOUMETTEZ PAS** la bonbonne à de fortes chaleurs ou à une flamme pour vérifier la présence éventuelle de fuites. Une chaleur excessive peut entraîner l'explosion de la bonbonne, causant de graves blessures.

### Instructions d'allumage :

**REMARQUE :** le tuyau est équipé d'une valve limitant le débit. L'ouverture rapide de la valve de fermeture de la bonbonne peut entraîner la fermeture de la valve du tuyau. Si la valve limitant le débit se ferme, fermez également la valve de la bonbonne. Ouvrez la valve de réglage du chalumeau pour libérer tout résidu de gaz se trouvant dans le tuyau. Fermez la valve de réglage du chalumeau et attendez 30 secondes. Ouvrez lentement la valve de la bonbonne.

- 1) Vérifiez que la valve de réglage du chalumeau est bien fermée.
- 2) Ouvrez la valve de la bonbonne.
- 3) Orientez le chalumeau pour qu'il ne soit pas en contact avec un matériau inflammable, ouvrez la valve de réglage du chalumeau d'un 8° de tour ou jusqu'à ce que vous entendiez le gaz s'échapper.
- 4) MH500LPT - Ignite utilisant allumeur fourni.  
MH400PT - Ignite utilisant match de cheminée ou d'une flamme longue léger.
- 5) Utilisez la valve de réglage du chalumeau pour contrôler la taille et la chaleur de la flamme.

**UTILISATION :** Lorsque vous utilisez cet outil, ne dirigez pas la flamme contre le vent. Veillez à ce que la bonbonne reste à une quinzaine de centimètres environ de la surface chauffée. Il est important de respecter ces deux instructions pour éviter que la flamme ne s'éteigne.

## ATTENTION :

- ⚠ **NE FUMEZ PAS** à proximité de la bonbonne et ne l'exposez pas à des flammes nues ou des étincelles.
- ⚠ MH500LPT - Allumez toujours en utilisant attaquant fourni avec la torche.
- ⚠ MH400PT - Ignite aide d'une allumette ou d'une flamme longue cheminée léger. **PRENEZ GARDE DE NE PAS** placer votre main ou une quelconque partie de votre corps à proximité de la flamme lorsque vous allumez ou utilisez le chalumeau. Ceci pourrait entraîner des blessures.

### Instructions de fermeture :

- 1) Fermez la valve de réglage.
- 2) Fermez la valve de la bonbonne.
- 3) Ouvrez brièvement la valve de réglage pour éliminer tout résidu de gaz se trouvant dans le tuyau.

## ATTENTION :

- ⚠ **NE FUMEZ PAS** à proximité de la bonbonne et ne l'exposez pas à des flammes nues ou des étincelles.
- ⚠ La température à l'extrémité du chalumeau augmente immédiatement lorsqu'il vient d'être éteint.

### Entretien :

#### Avant chaque utilisation :

- 1) Examinez tous les composants de l'appareil pour savoir s'ils sont abîmés ou usés. Si le tuyau comporte des marques d'abrasion excessives ou des entailles, il doit être remplacé avant l'utilisation. Si l'appareil est endommagé, communiquez avec Mr. Heater pour obtenir les pièces de rechange qui conviennent.
- 2) Examinez la bonbonne pour déceler d'éventuelles bosses, une ouverture ou une valve endommagée et même des signes de corrosion. Si les défauts mentionnés ci-dessus sont présents, il convient de remplacer la bonbonne avant d'utiliser l'appareil.
- 3) Effectuez un test pour déceler les fuites en respectant la procédure décrite à la page 5.
- 4) Allumez le chalumeau en appliquant les instructions figurant à la page 5. Vérifiez le fonctionnement de la valve de réglage et des autres composants avant de continuer.

#### Opérations à effectuer régulièrement :

- 1) Nettoyez tous les débris et matériaux combustibles collés au chalumeau. Celui-ci ne doit comporter aucun matériau combustible.
- 2) Nettoyez la surface du chalumeau à l'eau savonneuse. N'utilisez pas de nettoyeur inflammable ou à base d'essence sur cet appareil.

#### Débranchement de la bonbonne :

- 1) Vérifiez que la valve de la bonbonne est bien fermée.
- 2) Ouvrez brièvement la valve de réglage du chalumeau pour éliminer le gaz pouvant se trouver dans le tuyau. Fermez ensuite la valve de réglage.
- 3) Débranchez le mamelon-écrou POL situé à l'extrémité du tuyau de la bonbonne.
- 4) Remplacez le capuchon de protection et branchez à l'extrémité du tuyau ainsi qu'à la bonbonne.

## ATTENTION :

- ⚠ **NE FUMEZ PAS** à proximité de la bonbonne et ne l'exposez pas à des flammes nues ou des étincelles.

### Entreposage :

Ne rangez jamais un chalumeau encore chaud. Lorsque le chalumeau est rangé à l'intérieur, il convient de le débrancher de la bonbonne qui devra être entreposée à l'extérieur selon la norme ANSI/NFPA 58 relative à l'entreposage et à la manutention des gaz liquéfiés énoncée dans le chapitre 5.

## ATTENTION :

- ⚠ **NE FUMEZ PAS** à proximité de la bonbonne et ne l'exposez pas à des flammes nues ou des étincelles.
- ⚠ Évitez d'exposer le tuyau au contact des surfaces chaudes, ou à tout écrasement. Il pourrait s'user prématurément.
- ⚠ **NE SOULEVEZ PAS** la bonbonne par la valve. Vous risqueriez d'endommager la valve.

### REMARQUE :

La température d'entreposage ne doit pas excéder 49 °C (120 °F).

Placez la bonbonne à la verticale sur une surface plane. Ne mettez pas la bonbonne à l'envers ou sur le côté.

### Informations de sécurité :

Publications liées à l'usage et la pratique sécuritaire d'un appareil de ce type :

ANSI/UL 147 « Chalumeau portatif pour gaz de combustion »

ANSI Z49.1 « La sécurité dans le soudage et le découpage »

NFPA 54 « Code national pour les gaz de combustion »

NFPA 58 « Norme pour le stockage et la manutention du gaz de pétrole liquéfié »

CGA 2.29 « Chalumeau portatif pour gaz de combustion »



## GUIDE D'UTILISATION ET MANUEL DU PROPRIÉTAIRE

Modèle # :

MH400PT  
MH500LPT

### AVERTISSEMENT :

N'UTILISEZ QUE LES PIÈCES DE RECHANGE DU FABRICANT. L'UTILISATION D'AUTRES PIÈCES RISQUE DE CAUSER DES BLESSURES ET LA MORT. LES PIÈCES DE REMPLACEMENT NE SONT OFFERTES QUE PAR LE FABRICANT ET DOIVENT ÊTRE INSTALLÉES PAR UNE ENTREPRISE SPÉCIALISÉE.

### INFORMATIONS SUR LA COMMANDE DE PIÈCES :

**ACHAT :** On peut se procurer les accessoires par l'entremise de tous les détaillants locaux Mr. Heater ou directement auprès du fabricant.

#### POUR OBTENIR DES INFORMATIONS SUR LE SERVICE

Appelez sans frais au 800-251-0001  
[www.mrheater.com](http://www.mrheater.com)

Nos heures d'ouverture sont de 8 h 00 à 17 h (HNE), du lundi au vendredi.

Veillez indiquer le numéro du modèle, la date d'achat et la description du problème dans toutes vos communications avec nous.

#### GARANTIE LIMITÉE

Mr. Heater Corp. garantit son chalumeau propane contre les défauts de matériel et de main-d'œuvre pour une période de 90 jours à partir de la date d'achat. Mr. Heater réparera ou remplacera ce produit sans frais s'il est démontré qu'il est devenu défectueux pendant la période de 90 jours et qu'il est retourné à Mr. Heater aux frais de l'acheteur avec une preuve d'achat, au cours de la période de garantie. La présente garantie donne des droits spécifiques, et vous pouvez avoir d'autres droits qui varient d'un État à État.

Mr. Heater Inc. se réserve le droit d'effectuer des modifications en tout temps, sans préavis ni obligation, aux couleurs, aux spécifications, aux accessoires, aux matériaux et aux modèles.

ENREGISTREMENT DU PRODUIT : Nous vous remercions de votre achat.

Veillez vous connecter à <http://www.egiregistration.com> pour enregistrer votre produit.

MR. HEATER, INC., 4560 W. 160TH ST., CLEVELAND, OHIO 44135 • 800-251-0001  
Mr. Heater est une marque déposée de Enerco Group, Inc  
© 2017, Enerco Group, Inc. Tous droits réservés



ANSI/UL 147-2009 CGA 2.29-1997





## INSTRUCCIONES DE USO Y MANUAL DEL USUARIO

Modelo #

MH400PT  
MH500LPT

LEA CUIDADOSAMENTE LAS INSTRUCCIONES:

### LEA Y SIGA TODAS LAS INSTRUCCIONES

Conserve estas instrucciones en un lugar seguro para futura referencia. No permita que nadie que no haya leído estas instrucciones arme, encienda, ajuste o use esta herramienta. **NO use** este dispositivo en lugares donde se guarden o usen gasolina u otros líquidos con vapores inflamables.

**CONSERVE ESTAS INSTRUCCIONES**



Modelo: **MH400PT**



Modelo: **MH500LPT**

# Soplete de propano

Modelo # MH500LPT & MH400PT

## POR SU SEGURIDAD

Lea y comprenda las instrucciones antes de usar este artefacto. Conserve esta información para referencia futura.

### Si siente olor a gas:

- **Cierre el suministro de gas al dispositivo.**
- **NO** intente encender el artefacto.
- Apague todas las llamas expuestas.
- Revise el dispositivo y use agua jabonosa para detectar pérdidas.
- **NO** intente volver a encender el dispositivo hasta que se hayan reparado todas las pérdidas y no haya más olor a gas.

## CUIDADO:

- ⚠ Este dispositivo es para uso en exteriores únicamente.
- ⚠ **NUNCA** dirija la llama del soplete hacia la manguera o el tanque de gas.
- ⚠ **NO** deje el soplete desatendido mientras esté funcionando.
- ⚠ **NO** apoye ni deje caer el soplete sobre el extremo del quemador cuando esté funcionando.
- ⚠ Siempre encienda la llama de forma segura sin exponer combustible del cuerpo, la ropa o cualquier cosa para encender la antorcha.  
MH500LPT - Siempre encienda utilizando el delantero dotado de antorcha.  
MH400PT - Ignite con un partido chimenea o llama extendido más ligero.
- ⚠ **NO** use calor ni llamas en el tanque para buscar pérdidas o para aumentar la presión del gas.
- ⚠ **NO** levante el tanque por la válvula.
- ⚠ Cuando no use el soplete, debe cerrar la llave de gas del tanque de gas LP.
- ⚠ **CUIDADO:** La llama del soplete casi no se ve bajo la luz del día.
- ⚠ **NO** coloque la mano ni otra parte del cuerpo delante de la llama al encender o usar el soplete.
- ⚠ Este dispositivo está diseñado ÚNICAMENTE para la recuperación de vapor de un tanque de gas LP.

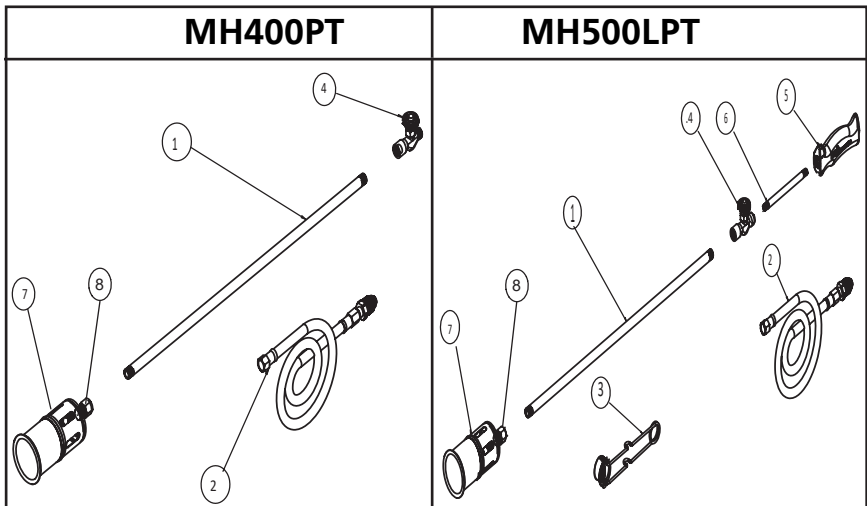
## NOTA:

- ⚠ Coloque el tanque sobre una superficie nivelada y en posición vertical.  
No lo dé vuelta ni lo acueste.
- ⚠ Debe usar guantes en todo momento al utilizar este dispositivo. Le recomendamos usar mangas largas, pantalones largos y botas.
- ⚠ Tenga un extinguidor de incendio tipo ABC a mano en el lugar de trabajo.

### EL ESTADO DE CALIFORNIA EXIGE LA SIGUIENTE ADVERTENCIA:

**ADVERTENCIA:** Una de las sustancias generadas por la combustión al usar este equipo es el monóxido de carbono, un compuesto químico que de acuerdo con el estado de California produce cáncer y defectos de nacimiento (u otros daños reproductivos).

Este producto contiene sustancias químicas que de acuerdo con el estado de California producen cáncer y defectos de nacimiento u otros daños reproductivos.



| ARTÍCULO | DESCRIPCIÓN             | # DE PIEZA |          |
|----------|-------------------------|------------|----------|
|          |                         | MH400PT    | MH500LPT |
| 1        | Conjunto de la palanca  | 72676      | 72676    |
| 2        | Conjunto de la manguera | 72602M     | 72602M   |
| 3        | Chispero                | NA         | 72603.   |
| 4        | Válvula (únicamente)    | 72607      | 72650    |
| 5        | Mango,plastica          | NA         | 72662    |
| 6        | Tubo de Mango           | NA         | 72663    |
| 7        | Cabeza de Quemador      | 72652      | 72652    |
| 8        | Burner Orifice          | 72656      | 72667    |

Al ordenar repuestos, proporcione siempre la siguiente información:

- 1) Número del modelo
- 2) Número de pieza
- 3) Descripción de la pieza



### **CUIDADO:**

Use únicamente repuestos **auténticos** de Mr. Heater. **Nunca** sustituya las piezas. No utilice piezas modificadas. Al ordenar repuestos, use el número de pieza que figura en estas instrucciones.

## CARACTERÍSTICAS DE FUNCIONAMIENTO

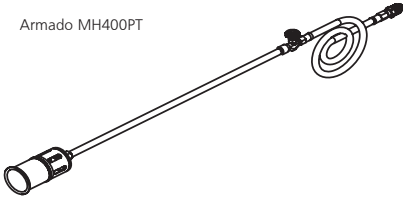
| Modelo              | BTU                  | Rango de temperatura de funcionamiento | Rango de presión de entrada                |
|---------------------|----------------------|--|--|
| MH500LPT<br>MH400PT | 500 000*<br>400,000* | 23,3 °C (-10 °F)<br>a 27 °C (80 °F)    | 117.2 kPa (17 psi )<br>a 172 kPa (170 psi) |

\* El tamaño y la temperatura del tanque pueden afectar directamente la salida de BTU.

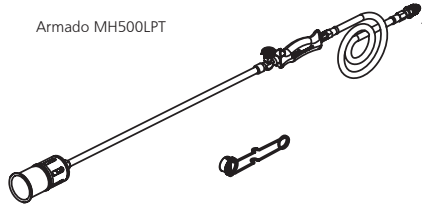
## LEA TODAS LAS INSTRUCCIONES

### Instrucciones de armado:

Armado MH400PT



Armado MH500LPT



- 1) Desempaque todos los componentes y revise que no estén dañados. Si descubre algún daño, llame inmediatamente al servicio de entrega o a Mr. Heater.
- 2) Conecte el conjunto de la manguera al conjunto del mango y ajústelo hacia la **izquierda**.

**NOTA:** Esta es una conexión de rosca izquierda.

### La conexión al tanque de alimentación:

**NOTA:** El tanque de gas propano que se usa con este dispositivo debe ser del tipo de recuperación de vapor con una capacidad no menor a los 9,07 kg (20 libras). También debe cumplir o exceder las normas NFPA 58 para el almacenamiento y la manipulación de gases licuados del petróleo.

- 1) Inspeccione la conexión de la tuerca/boquilla (válvula de cierre de exceso) del conjunto de la manguera. Verifique que no esté dañada. El anillo de goma debe estar presente. Si encuentra algún daño o falta el anillo de goma, llame a Mr. Heater para obtener los repuestos correspondientes.
- 2) Conecte el extremo de la válvula de cierre de exceso del conjunto de la manguera a la válvula de cierre del tanque de gas LP y ajústela hacia la **izquierda**.

**NOTA:** Si el tanque de gas LP no tiene una válvula de cierre, reemplácelo por otro que la tenga.

### ⚠ CUIDADO:

Este dispositivo está diseñado ÚNICAMENTE para la recuperación de vapor de un tanque de gas LP. El uso de cualquier otro tipo de gas podría causar la falla del dispositivo o heridas personales.

## **POR SU SEGURIDAD      SI SIENTE OLOR A GAS:**

- **Cierre el suministro de gas al dispositivo.**
- **NO** intente encender el artefacto.
- Apague todas las llamas expuestas.
- Revise el dispositivo y use agua jabonosa para detectar pérdidas.
- **NO** intente volver a encender el dispositivo hasta que se hayan reparado todas las pérdidas y no haya más olor a gas.

### **Prueba de pérdidas:**

- 1) Cierre la válvula de ajuste del soplete (gírela por completo hacia la derecha).
- 2) Abra lentamente la válvula de cierre del tanque de alimentación.
- 3) Pruebe todas las conexiones con una solución para detectar pérdidas de gas.
  - a. Conexiones de las mangueras de pulverización con una solución jabonosa.  
Burbujas alrededor de la conexión indica una fuga.
- 4) Si encuentra una pérdida en:
  - El eje de la válvula de ajuste del soplete
    - Ajuste la tuerca de empaque del vástago hacia la **derecha**.
    - Abra lentamente la válvula de cierre del tanque de alimentación y vuelva a revisar la conexión. Repita el procedimiento si es necesario
    - Si no puede detener la pérdida ajustando la tuerca de empaque del vástago, podría necesitar un nuevo válvula. Comuníquese con Mr. Heater para obtener los repuestos correspondientes.
  - La válvula de cierre del tanque de alimentación
    - Cierre la válvula de cierre del tanque de alimentación y vuelva a ajustar la conexión **hacia la izquierda**. Abra lentamente la válvula de cierre del tanque de alimentación y vuelva a revisar la conexión. Repita el procedimiento si es necesario.

## **CUIDADO:**



**NO** use el soplete si existe alguna pérdida. Una pérdida podría generar un peligro de incendio.



**NO** fume en las cercanías ni exponga el tanque de alimentación a llamas expuestas o chispas.



**NO** use calor ni llamas en el tanque para buscar pérdidas. El exceso de calor podría provocar que el tanque de alimentación se rompa, lo que posiblemente causaría heridas personales.

## **Instrucciones de encendido y operación:**

**NOTA:** El conjunto de la manguera viene con una válvula de control de exceso de flujo. Abrir la válvula de cierre del tanque de alimentación rápidamente puede provocar el cierre de esta válvula. Si esto ocurre, cierre la válvula de cierre del tanque de alimentación. Abra la válvula de ajuste del soplete para liberar todo el gas residual que haya quedado en la manguera. Cierre la válvula de ajuste del soplete y espere 30 segundos. Abra lentamente la válvula de cierre del tanque.

- 1) Verifique que la válvula de ajuste del soplete esté cerrada.
- 2) Abra la válvula de cierre del tanque de alimentación.
- 3) Con la boquilla del soplete apuntando en dirección opuesta a cualquier material inflamable, abra la válvula de ajuste del soplete 1/8 de vuelta o hasta que escuche que salga el gas.
- 4) MH500LPT - Ignite con encendedor suministrado.  
MH400PT - Ignite partido con chimenea o llama extendido más ligero.
- 5) Use la válvula de ajuste del soplete para controlar el tamaño y el calor de la llama.

**USO:** Al usar la herramienta, no apunte la llama directamente contra el viento.

No permita que la punta de la boquilla se acerque a menos de 15,2 cm (6") de la superficie que se está calentando.

De no respetar la indicación anterior, la llama podría apagarse.

## **CUIDADO:**

- ⚠ **NO** fume en las cercanías ni exponga el tanque de alimentación al fuego o a las chispas.
- ⚠ MH500LPT - Siempre encienda utilizando el delantero dotado de antorcha.  
MH400PT - Ignite con un partido chimenea o llama extendido más lige **NO** coloque la mano ni ninguna otra parte del cuerpo delante de la llama al encender o usar el soplete. Esto podría provocar heridas personales.
- ⚠ **NO** use este soplete para calentar, moldear o doblar láminas de plástico, molduras o tuberías.

## **Instrucciones de apagado:**

- 1) Cierre la válvula de ajuste del soplete.
- 2) Cierre la válvula de cierre del tanque de alimentación.
- 3) Abra la válvula de ajuste del soplete brevemente para liberar toda la presión de gas residual que haya quedado en la manguera.

## **CUIDADO:**

- ⚠ **NO** fume en las cercanías ni exponga el tanque de alimentación a llamas expuestas o chispas.
- ⚠ El extremo del soplete del conjunto del mango aumentará su temperatura inmediatamente después del apagado.

## **Mantenimiento:**

### **Antes de cada uso:**

- 1) Inspeccione visualmente todos los componentes del dispositivo en busca de daños y desgaste. Si la manguera tiene demasiado desgaste por abrasión o cortes, debe reemplazarla antes de usarla. Si encuentra algún daño, comuníquese con Mr. Heater para obtener los repuestos correspondientes.
- 2) Inspeccione visualmente el tanque de gas LP en busca de abolladuras, daños en el cuello o en la válvula de cierre, o corrosión en la base de apoyo. Si encuentra cualquiera de esos problemas, deberá reemplazar el tanque de gas LP antes de usarlo.
- 3) Realice una prueba de pérdidas según el procedimiento de detección de pérdidas que se describe en la página 5.
- 4) Encienda el soplete según las instrucciones de encendido que se describen en la página 5. Verifique el funcionamiento de la válvula de ajuste y de los demás componentes antes de proceder.

### **Periódicamente,**

- 1) Limpie todos los residuos o materiales combustibles del soplete. El soplete debe mantenerse limpio y libre de materiales combustibles.
- 2) La superficie del dispositivo debe limpiarse con agua y jabón. No use limpiadores a base de petróleo inflamables en ninguna parte del dispositivo.

### **Desconexión del tanque de alimentación:**

- 1) Verifique que la válvula del tanque de alimentación esté cerrada.
- 2) Abra la válvula de ajuste del soplete brevemente para liberar toda la presión de gas residual que haya quedado en la manguera. Cierre la válvula de ajuste cuando haya terminado.
- 3) Desconecte la tuerca/boquilla P.O.L. ubicada en el extremo del conjunto de la manguera del tanque de alimentación.
- 4) Reemplace la tapa plástica protectora y colóquela en el extremo de la manguera y en el tanque de gas, respectivamente.

## **CUIDADO:**

**⚠ NO** fume en las cercanías ni exponga el tanque de alimentación a llamas expuestas o chispas.

### **Almacenamiento:**

Nunca guarde un soplete que todavía esté caliente. Cuando guarde el soplete en el interior, deberá desconectar la conexión entre el tanque de gas LP y el dispositivo, y deberá quitar el tanque del dispositivo y guardarlo en el exterior, de acuerdo con el capítulo 5 de las "Normas para el almacenamiento y manejo de gases licuados del petróleo" ANSI/NFPA 58.

## **CUIDADO:**

**⚠ NO** fume en las cercanías ni exponga el tanque de alimentación al fuego o a las chispas. El conjunto de la manguera debe quedar protegido del tráfico, las compresiones y las superficies calientes. Esto podría provocar el desgaste prematuro de la manguera. **NO** levante el tanque por la válvula. Podría dañar la válvula si levanta el tanque sujetándolo de ella.

### **NOTA:**

La temperatura de almacenamiento no debe exceder los 49 °C (120 °F).

Coloque el tanque sobre una superficie nivelada y en posición vertical. No lo dé vuelta ni lo acueste.

### **Información sobre seguridad:**

Publicaciones sobre seguridad relacionadas con las prácticas y el uso seguros:

ANSI/UL 147 "Sopletes de mano de alimentación a gas"

ANSI Z49.1 "Seguridad en la soldadura y los cortes"

NFPA 54 "Reglamento nacional de combustible gaseoso"

NFPA 58 "Normas para el almacenamiento y manejo de gases licuados del petróleo"

CGA 2.29 "Sopletes de mano de alimentación a gas"



## INSTRUCCIONES DE USO Y MANUAL DEL USUARIO

Modelo #

MH400PT  
MH500LPT

### ADVERTENCIA:

USE SOLAMENTE REPUESTOS DEL FABRICANTE. EL USO DE CUALQUIER OTRA PIEZA PODRÍA CAUSAR HERIDAS O LA MUERTE. LOS REPUESTOS ESTÁN DISPONIBLES ÚNICAMENTE EN LA FÁBRICA Y DEBEN SER INSTALADOS POR UNA AGENCIA DE SERVICIO CALIFICADA.

### INFORMACIÓN PARA ORDENAR REPUESTOS:

**COMPRAS:** Los accesorios se pueden comprar en cualquier distribuidor local de Mr. Heater o directamente en la fábrica.

### SI DESEA OBTENER INFORMACIÓN ACERCA DE REPARACIONES

Llame sin cargo al 800-251-0001.  
[www.mrheater.com](http://www.mrheater.com)

Nuestro horario de trabajo es de 8:30 a. m. a 5:00 p. m., hora del este, de lunes a viernes.

Incluya el número de modelo, la fecha de compra y la descripción del problema en todas sus comunicaciones.

### GARANTÍA LIMITADA

Mr. Heater Corp. garantiza sus sopletes de propano contra defectos de materiales y mano de obra por un período de 90 días a partir de la fecha de compra. Mr. Heater reparará o reemplazará este producto sin cargo si presentara desperfectos en el período de 90 días después de realizada la compra, siempre y cuando el cliente cubra los gastos de la devolución y presente el comprobante de compra a Mr. Heater en el período de garantía. Esta garantía le otorga derechos legales específicos, y usted también puede tener otros derechos que varían de un estado a otro.

Mr. Heater Inc. se reserva el derecho a hacer cambios en cualquier momento, sin previo aviso ni obligación, en los colores, las especificaciones, los accesorios, los materiales y los modelos.

REGISTRO DEL PRODUCTO: Gracias por su compra.

Inicie sesión en <http://www.egiregistration.com> para registrar su producto.

MR. HEATER, INC., 4560 W. 160TH ST., CLEVELAND, OHIO 44135 • 800-251-0001  
Mr. Heater es una marca comercial registrada de Enerco Group, Inc.  
© 2017, Enerco Group, Inc. Todos los derechos reservados.



ANSI/UL 147-2009 CGA 2.29-1997