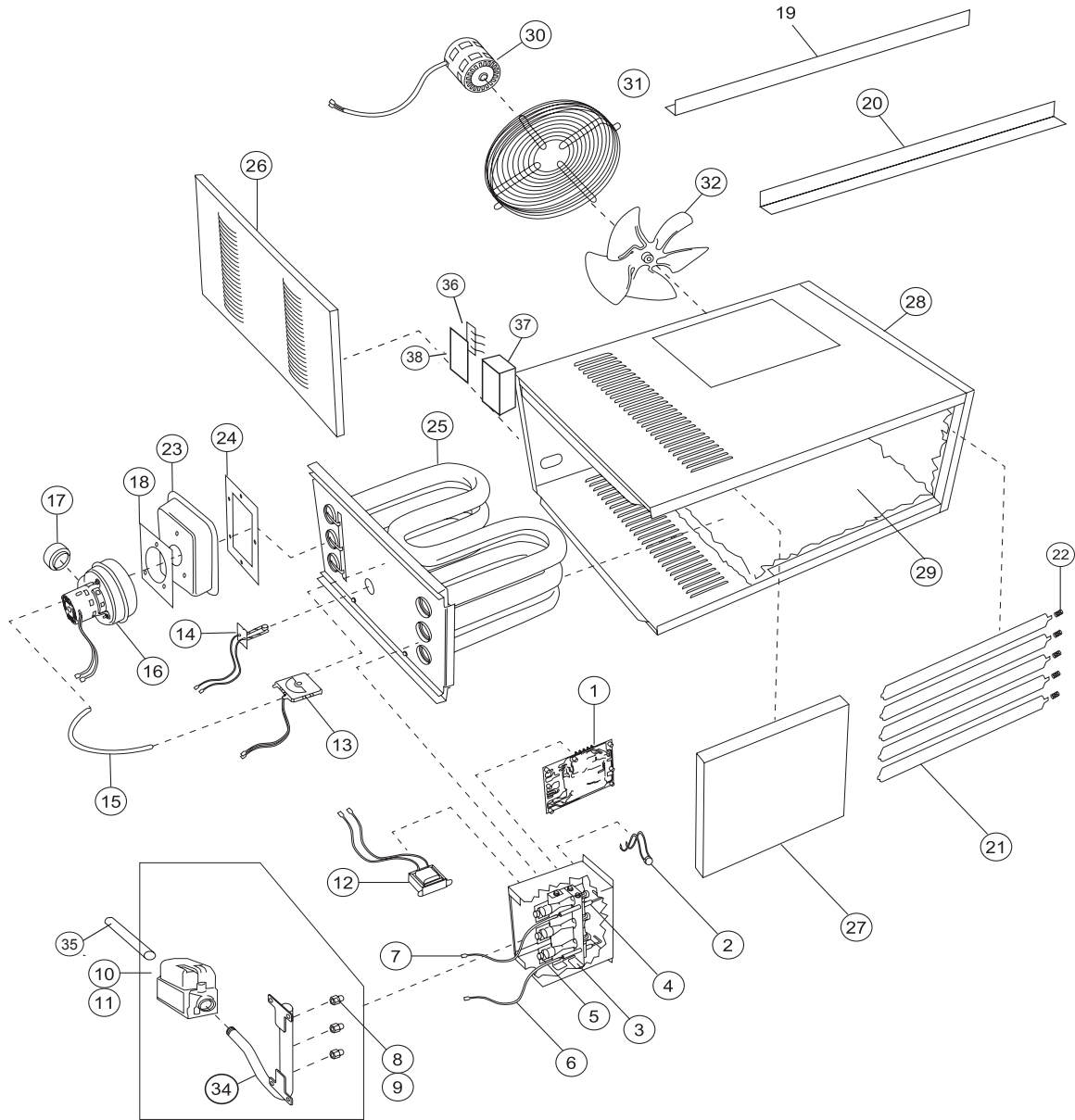


# REPAIR PARTS

When ordering parts include the complete unit model number listed on the unit rating plate. For example HSU50/80.

## Mr Heater • Compact / Utility Heater • Model # MHU 50/80



# PARTS LIST:

SEE BACK PAGE FOR PARTS ORDERING INFORMATION

REF #.	DESCRIPTION	50 ITEM #	QUANTITY	80 ITEM #	QUANTITY
1.....	CIRCUIT BOARD .....	60105 .....	1 .....	S/A.....	1
2.....	LIMIT SENSOR.....	60022 .....	1 .....	60021 .....	2
3.....	ELECTRODE IGNITER.....	60139 .....	1 .....	S/A.....	1
4.....	ELECTRODE SENSOR.....	60141 .....	1 .....	S/A.....	1
5.....	BURNER .....	60155 .....	3 .....	60191 .....	5
6.....	IGNITION LEAD .....	60045 .....	1 .....	S/A.....	1
7.....	SENSOR LEAD .....	60046 .....	1 .....	S/A.....	1
8.....	ORIFICE (NAT) .....	60049 .....	3 .....	S/A.....	5
9.....	ORIFICE (LP).....	60156 .....	3 .....	S/A.....	5
10.....	GAS VALVE (NAT) .....	60128 .....	1 .....	S/A.....	1
11.....	GAS VALVE (LP).....	60129 .....	1 .....	S/A.....	1
12.....	TRANSFORMER .....	60025 .....	1 .....	S/A.....	1
13.....	PRESSURE SWITCH .....	60147 .....	1 .....	60146 .....	1
14.....	HI LIMIT SENSOR HEAT EXCH. ....	60015 .....	1 .....	S/A.....	1
15.....	PRESSURE SWITCH TUBE .....	60031 .....	1 .....	S/A.....	1
16.....	INDUCED DRAFT MOTOR .....	60020 .....	1 .....	S/A.....	1
17.....	VENT ADAPTER .....	60130 .....	1 .....	60140 .....	1
18.....	INDUCED DRAFT MOTOR GASKET.....	60157 .....	1 .....	S/A.....	1
19.....	BACK BRACKET .....	60075 .....	1 .....	S/A.....	1
20.....	FRONT BRACKET .....	60080 .....	1 .....	S/A.....	1
21.....	LOUVERS .....	60100 .....	5 .....	S/A.....	7
22.....	LOUVER SPRING .....	60103 .....	5 .....	S/A.....	7
23.....	FLUE BOX .....	60189 .....	1 .....	60190 .....	1
24.....	FLUE BOX GASKET.....	60090 .....	1 .....	60092 .....	1
25.....	HEAT EXCHANGER .....	60065 .....	1 .....	60068.....	1
26.....	ACCESS DOOR .....	60070.....	1 .....	60072 .....	1
27.....	FRONT .....	60095 .....	1 .....	60097 .....	1
28.....	SIDE DOOR .....	60110 .....	1 .....	60112 .....	1
29.....	WRAPPER .....	60115.....	3 .....	60117 .....	3
30.....	FAN MOTOR.....	60055 .....	1 .....	60054.....	1
31.....	FAN GUARD .....	60120 .....	1 .....	60122.....	1
32.....	FAN ASSEMBLY .....	60125 .....	1 .....	60127 .....	1
33*.....	CAPACITOR STARTER .....	.....	.....	28788 .....	1
34.....	MANIFOLD.....	60062 .....	1 .....	60064.....	1
35.....	INLET PIPE .....	60132 .....	1 .....	S/A.....	1
36.....	THERMOSTAT TERMINAL.....	60144 .....	1 .....	S/A.....	1
37.....	WIRING JUNCTION BOX .....	60159 .....	1 .....	S/A.....	1
38.....	COVER, WIRING JUNCTION BOX .....	60160.....	1 .....	S/A.....	1
Not Shown	GAS VALVE BRACKET.....	60158.....	1 .....	S/A.....	1

\*Not Shown

**Optional Installation Components**

- 24V THERMOSTAT .....F210359
- 4" VERTICAL VENT KIT (80).....F102848
- 3" VERTICAL VENT KIT (50).....F102840
- 4" HORIZONTAL STAINLESS STEEL VENT KIT (50&80).....F102860

**Gas Conversion Kits**

**Natural Gas to Liquid Propane**

- HSU 50/80 50,000 and 80,000 BTU .....F260163

**Liquid Propane to Natural Gas**

- HSU 50/80 50,000 and 80,000 BTU .....F260164