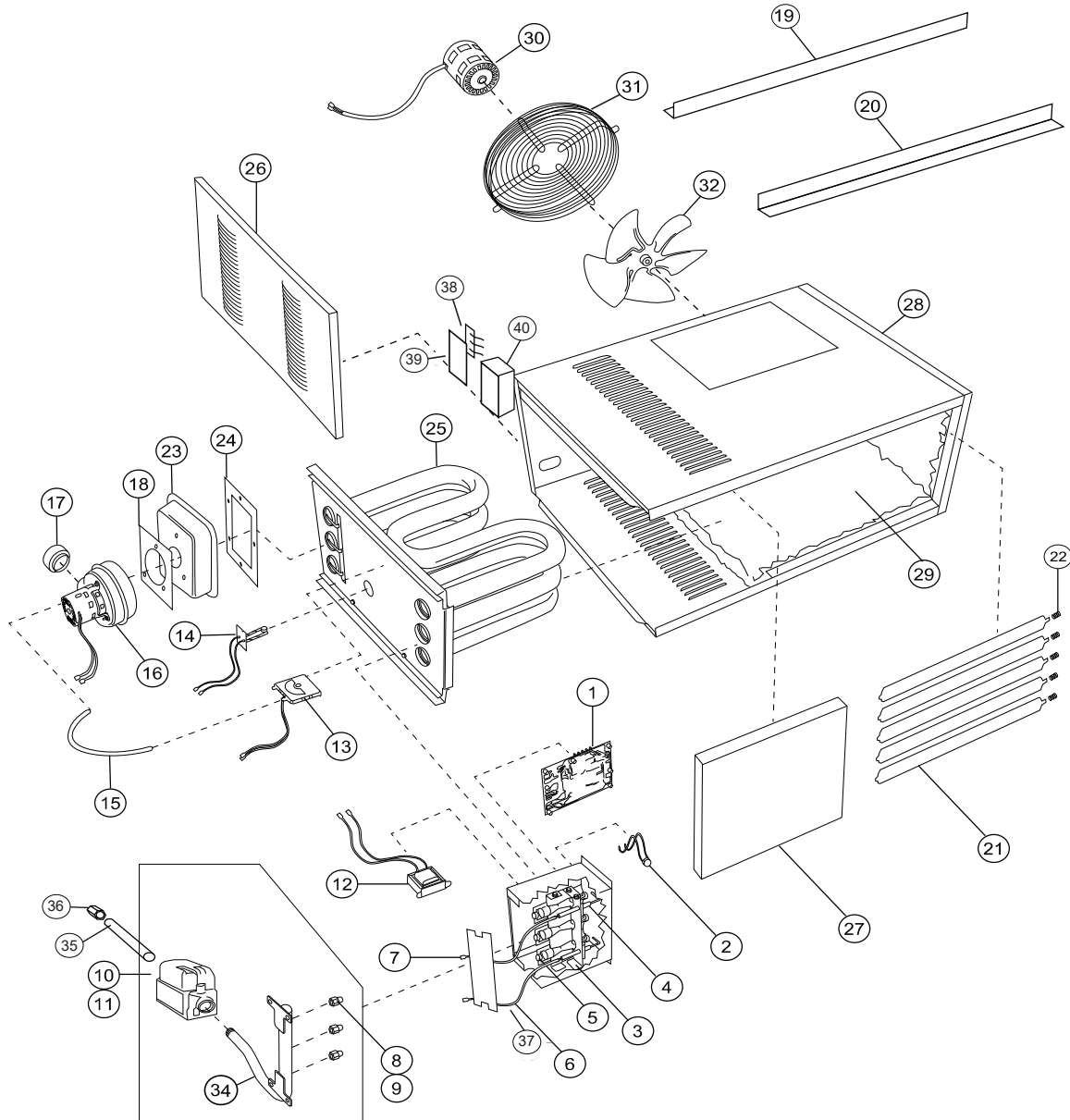


REPAIR PARTS

When ordering parts include the complete unit model number listed on the unit rating plate. For example HSU50/80.

Mr Heater • Compact / Utility Heater • Model # HSU 50/80



PARTS LIST:

SEE BACK PAGE FOR PARTS ORDERING INFORMATION

REF #.	DESCRIPTION	50 ITEM #	QUANTITY	80 ITEM #	QUANTITY
1.....	CIRCUIT BOARD	60105.....	1	S/A.....	1
2.....	LIMIT SENSOR.....	60022.....	1	60021.....	2
3.....	ELECTRODE IGNITER	60139.....	1	S/A.....	1
4.....	ELECTRODE SENSOR	60141.....	1	S/A.....	1
5.....	BURNER	60155.....	3	60191.....	5
6.....	IGNITION LEAD	60045.....	1	S/A.....	1
7.....	SENSOR LEAD	60046.....	1	S/A.....	1
8.....	ORIFICE (NAT).....	60049.....	3	S/A.....	5
9.....	ORIFICE (LP).....	60156.....	3	S/A.....	5
10.....	GAS VALVE (NAT).....	60128.....	1	S/A.....	1
11.....	GAS VALVE (LP).....	60129.....	1	S/A.....	1
12.....	TRANSFORMER	60025.....	1	S/A.....	1
13.....	PRESSURE SWITCH.....	60147.....	1	60146.....	1
14.....	HI LIMIT SENSOR HEAT EXCH.	60015.....	1	S/A.....	1
15.....	PRESSURE SWITCH TUBE.....	60031.....	1	S/A.....	1
16.....	INDUCED DRAFT MOTOR.....	60020.....	1	S/A.....	1
17.....	VENT ADAPTER	60130.....	1	60140.....	1
18.....	INDUCED DRAFT MOTOR GASKET	60157.....	1	S/A.....	1
19.....	BACK BRACKET	60075.....	1	S/A.....	1
20.....	FRONT BRACKET	60080.....	1	S/A.....	1
21.....	LOUVERS	60100.....	5	S/A.....	7
22.....	LOUVER SPRING	60103.....	5	S/A.....	7
23.....	FLUE BOX.....	60189.....	1	60190.....	1
24.....	FLUE BOX GASKET.....	60090.....	1	60092.....	1
25.....	HEAT EXCHANGER.....	60065.....	1	60068.....	1
26.....	ACCESS DOOR	60070.....	1	60072.....	1
27.....	FRONT	60095.....	1	60097.....	1
28.....	SIDE DOOR	60110.....	1	60112.....	1
29.....	WRAPPER	60115.....	3	60117.....	3
30.....	FAN MOTOR	60055.....	1	60054.....	1
31.....	FAN GUARD	60120.....	1	60122.....	1
32.....	FAN ASSEMBLY.....	60125.....	1	60127.....	1
33*.....	CAPACITOR STARTER.....			28788.....	1
34.....	MANIFOLD.....	60062.....	1	60064.....	1
35.....	INLET PIPE	60132.....	1	S/A.....	1
36.....	INLET FITTING	60131.....	1	S/A.....	1
37.....	BURNER SCREEN	60142.....	1	S/A.....	1
38.....	THERMOSTAT TERMINAL.....	60144.....	1	S/A.....	1
39.....	WIRING JUNCTION BOX.....	60159.....	1	S/A.....	1
40.....	COVER, WIRING JUNCTION BOX.....	60160.....	1	S/A.....	1
	Not Shown . GAS VALVE BRACKET.....	60158.....	1	S/A.....	1

*Not Shown

Optional Installation Components

24V THERMOSTAT	F210359
4" VERTICAL VENT KIT (80).....	F102848
3" VERTICAL VENT KIT (50).....	F102840
4" HORIZONTAL STAINLESS STEEL VENT KIT (50&80).....	F102860

Gas Conversion Kits

Natural Gas to Liquid Propane

HSU 50/80	50,000 and 80,000 BTU.....	F260163
-----------	----------------------------	---------

Liquid Propane to Natural Gas

HSU 50/80	50,000 and 80,000 BTU.....	F260164
-----------	----------------------------	---------